

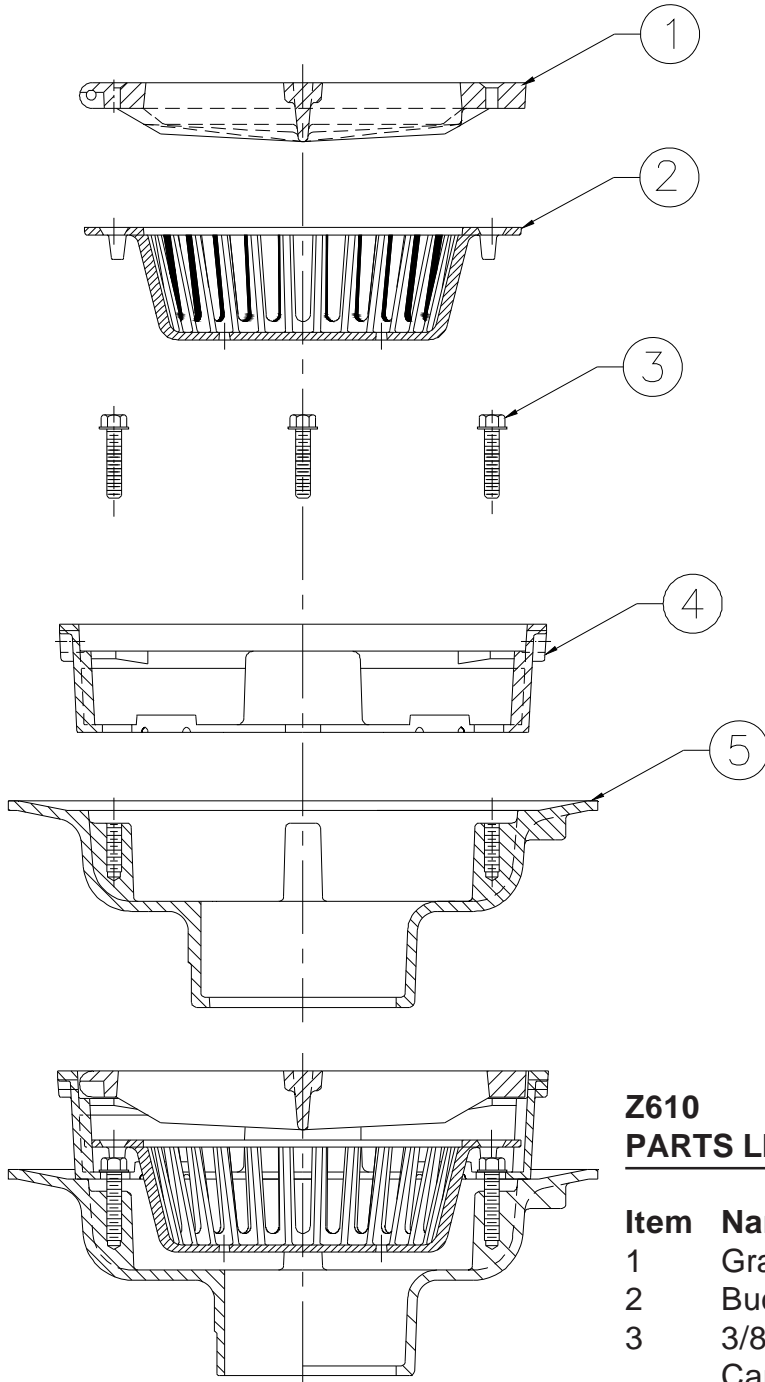


Z610

12 [305] HEAVY-DUTY DRAIN

EXPLODED PARTS LIST

Dimensional Data (inches and [mm]) are Subject to Manufacturing Tolerances and Change Without Notice



Z610

PARTS LIST

Item	Name	Part Number	Quan.
1	Grate	566440011	1
2	Bucket	841070016	1
3	3/8 Washer Hd. Cap Screw	505350024	4
4	Frame	564990011	1
5	Body	31421(xxx)1	1

Form # FD26

Date: 05/16/11

C.N. No. 121297

Rev. B

ZURN INDUSTRIES, LLC. ♦ SPECIFICATION DRAINAGE OPERATION ♦ 1801 Pittsburgh Ave. ♦ Erie, PA 16514

Phone: 814/455-0921 ♦ Fax: 814/454-7929 ♦ World Wide Web: www.zurn.com

In Canada: ZURN INDUSTRIES LIMITED ♦ 3544 Nashua Drive ♦ Mississauga, Ontario L4V1L2 ♦ Phone: 905/405-8272 Fax: 905/405-1292