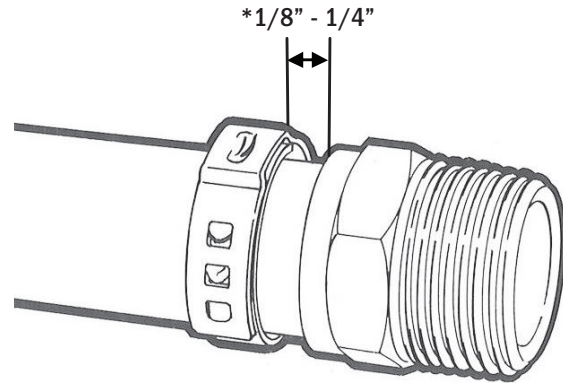


SUBMITTAL DATA SHEET

Stainless Steel Oetiker Pex Clamps
Pex Clamps - 2300SSC



Slip clamp over pipe or tubing

*The diagram specifies the recommended distance (dimension) between the "Clamp" and "End of the Tube".

**Oetiker Installation Tools Available:
2300RT**



2300RTTH



Tools will not release until clamps are properly closed.

SUBMITTAL INFORMATION

- 304 Stainless Steel
- 3/8" - 1" Pex Sizes
- Clamp conforms to F2098 (ASTM F2098 stainless steel clamps for use with ASTM F1807 or F2159 insert fittings and pex tubing that complies with F876 or F877).
- Requires only one installation tool
- 360° stepless design (no steps or gaps on the inner circumference of the clamp)
- Smooth edged band steel prevents damage to tube
- Narrow band, concentrated seal compression
- Fast, simple, secure installation

NO-LEAD: The weighted average of the wetted surface of this no-lead product contacted by consumable water contains less than one quarter of one percent (0.25%) lead.



A.Y. McDonald Mfg. Co.
P.O. Box 508
Dubuque, IA 52004-0508

Toll Free: 1-800-292-2737
Fax: 1-800-832-9296
Hours: 7:00 a.m. - 5:00 p.m., CST

sales@aymcdonald.com
www.aymcdonald.com

A.Y. McDonald considers the information on this assembly drawing correct when published. Item and option availability, including specifications, are subject to change without notice.

Submitted by: