



Buy it for looks. Buy it for life.®

Specifications

FAUCET DESCRIPTION

- Metal construction with chrome plated, LifeShine® brushed nickel or oil rubbed bronze finish
- Includes showerhead, arm and flange

OPERATION

- Handle operates counterclockwise through a 270° arc with off at 6 o'clock and maximum hot at the 9 o'clock position. Shut off in clockwise direction
- Adjustable temperature limit stop to control maximum hot water temperature
- Pressure balancing mechanism maintains selected discharge temperature to ± 3°

FLOW

- Showerhead limited to 2.5 gpm max. (9.5 L/min)

CARTRIDGE

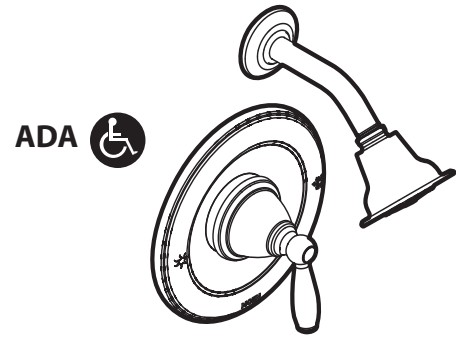
- 1222 cartridge design
- Nonmetallic/nonferrous and stainless steel materials
- Accommodates back to back installations

STANDARDS

- Third party certified to meet CSA B-125, ASME A112.18.1M, ANSI A117.1 and all applicable requirements referenced therein

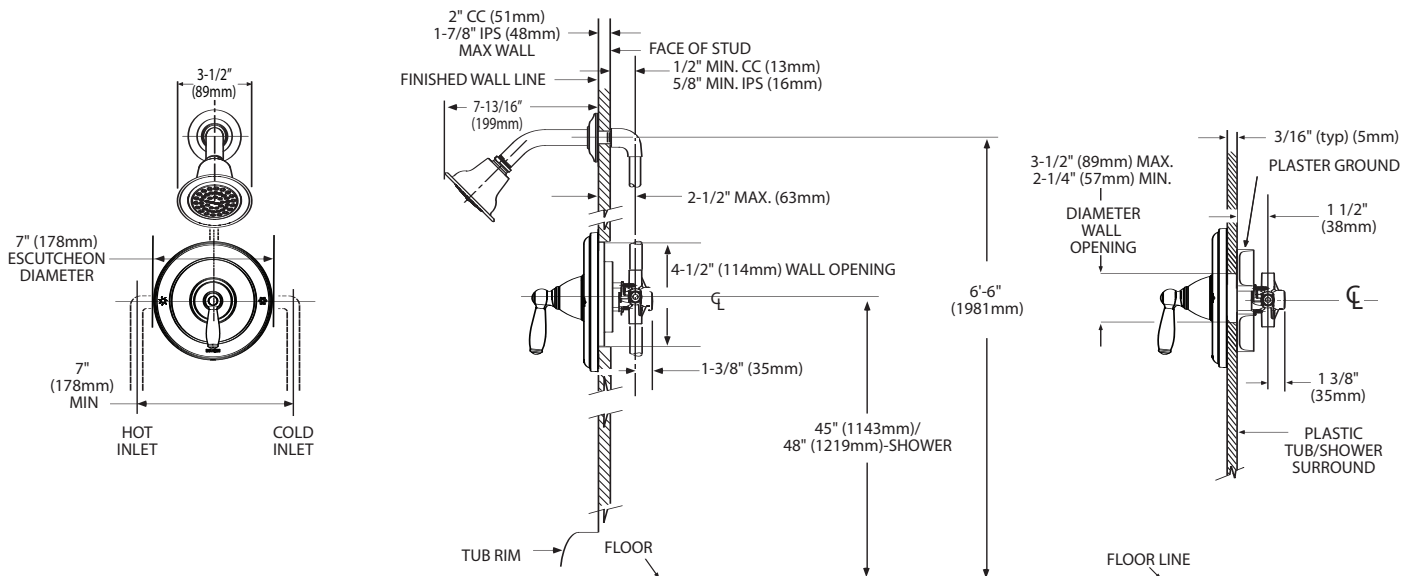
WARRANTY

- Lifetime limited warranty against leaks, drips and finish defects to the original consumer purchaser
- 5 year warranty if used in commercial installations



BRANTFORD™ POSI-TEMP® Single-Handle Shower (Trim Only)

Models: T2152, T2152BN, T2152ORB
T62152 (Bulk pack -12 per carton)



THICK WALL APPLICATION

THIN WALL APPLICATION



CRITICAL DIMENSIONS

(DO NOT SCALE)