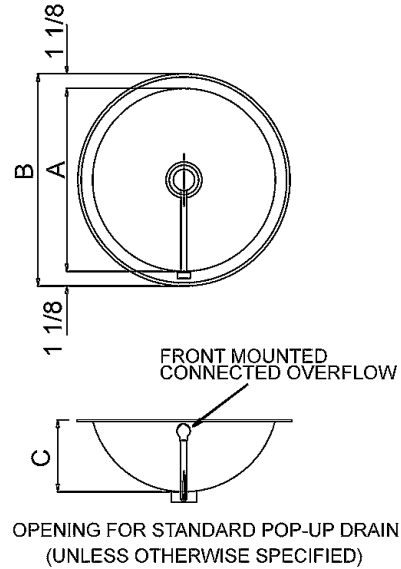
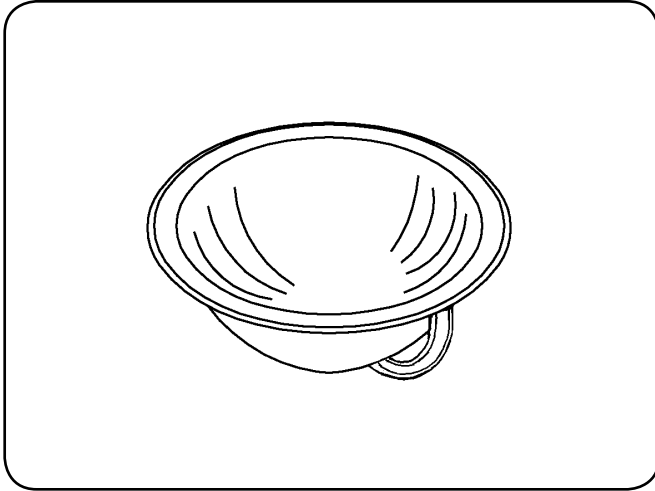




UCIF-ADA - SERIES - 18 GA.

LAVATORY GROUP ADA COMPLIANT CIRCULAR LAVATORY UNDERMOUNT - with OVERFLOW

SUBMITTAL DATA



ADA COMPLIANT

SPECIFICATION

Seamless construction of type 304, 18-8 stainless steel. Interior and top surfaces polished to a non-porous Hand-Blended Just Finish . Fully coated underside insulates for sound, and reduces condensation. Undermount. Conforms to ASME/ANSI A112.19.3M. Drain punch for Just J-115-FS lavatory drain.

MODEL NO.	A	B	C
UCIF-ADA-10	10	12-1/4	5
UCIF-ADA-12	12	14-1/4	6
UCIF-ADA-14	14	16-1/4	5-1/2
UCIF-ADA-16	16	18-1/4	5-1/2

APPROVED FOR MANUFACTURING	
MODEL NO.:	QTY:
JOB NAME:	
TAG/ITEM:	
CUSTOMER:	
SIGNATURE:	



JUST MFG. COMPANY CONTINUES TO MAKE QUALITY AND FUNCTIONALITY A MARK OF THE JUST PRODUCT LINE. TO DO SO REQUIRES THAT WE RESERVE THE RIGHT TO CHANGE PRODUCT INFORMATION WITHOUT NOTICE. DIMENSIONS MAY VARY AND ARE SUBJECT TO CHANGE WITHOUT NOTICE. NO RESPONSIBILITY IS ASSUMED FOR USE OF SUPERCEDED OR VOIDED DATA. FOR THE MOST CURRENT AND ACCURATE INFORMATION REGARDING THE COMPLETE LINE OF JUST SINKS, FAUCETS AND DRAINS, CLICK ON THE **SPEC LINE DRAWINGS** LINK ON OUR WEB SITE AT www.justmfg.com

JUST MANUFACTURING COMPANY 9233 KING STREET . FRANKLIN PARK . ILLINOIS . 60131-2111
 PH: 847-678-5150 FAX: 847-678-6817 E-MAIL: custserv@justmfg.com www.justmfg.com