

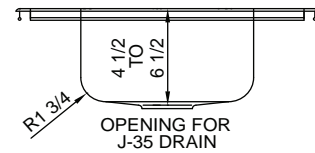
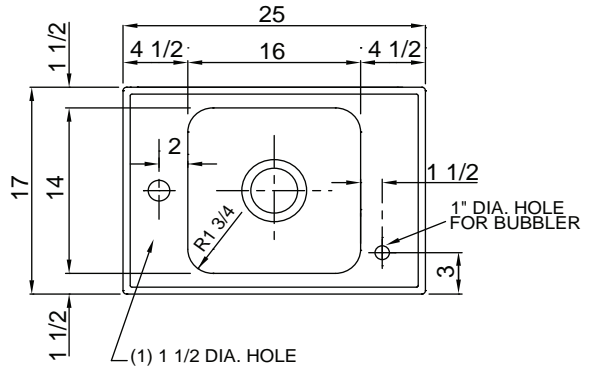


CRA-ADA-1725-A-GR

ACADEMIC GROUP

ADA COMPLIANT - CLASSROOM SINK FAUCET LEDGE - LEFT / BUBBLER LEDGE- RIGHT

SUBMITTAL DATA



SPECIFICATION

Seamless die-drawn construction of 18 gauge type 304 stainless steel. Faucet flange at rear of compartment. Interior and top surfaces polished to a non-porous Hand Blended Just Finish. Fully coated underside insulates for sound and reduces condensation. Straight sided compartment with 1-3/4" radius corners provides greater capacity. Self-rimming top mount with Grip-Rim Plus stainless steel mounting channels. Drain punched for Just J-35-SSF drain. Certified to ASME/CSA B45.4; UPC; IPC.



Sink certified to ASME A112.19.3/CSA B45.4; Uniform Plumbing Code (UPC); International Plumbing Code (IPC), by NSF International. Certified less fittings.



Sink certified compliant with 2010 ADA Standards for Accessible Design and ICC/ANSI A117.1 by NSF International.

OPTION

- TYPE 316 STAINLESS STEEL (check if required)

CUTOUT DIMENSIONS

Model Number	Front-to-Back	Left-to-Right
CRA-ADA-1725-A-GR	16-1/4	24-1/4

FAUCET PUNCHING - MUST BE SPECIFIED

<input type="checkbox"/> (1) Hole Centered (illustrated)	<input type="checkbox"/> (1) Hole - Right front (illustrated)
<input type="checkbox"/> (2) Holes on 4" centers	
<input type="checkbox"/> (3) Holes on 4" centers	
<input type="checkbox"/> Alternate Punching: Faucet Model: _____ Punching Required: _____	

DEPTH - MUST BE SPECIFIED:

<input type="checkbox"/> 4 1/2" DEEP	<input type="checkbox"/> 5" DEEP	<input type="checkbox"/> 5-1/2" DEEP	<input type="checkbox"/> 6" DEEP	<input type="checkbox"/> 6-1/2" DEEP
--------------------------------------	----------------------------------	--------------------------------------	----------------------------------	--------------------------------------

DRAIN LOCATION - MUST BE SPECIFIED:

<input type="checkbox"/> CENTER	<input type="checkbox"/> CENTER REAR	<input type="checkbox"/> LEFT REAR	<input type="checkbox"/> RIGHT REAR
---------------------------------	--------------------------------------	------------------------------------	-------------------------------------

APPROVED FOR MANUFACTURING

MODEL NO.: **CRA-ADA-1725-A-GR** QTY: _____

JOB NAME: _____

TAG/ITEM: _____

CUSTOMER: _____

SIGNATURE: _____

REVISED-7/2014



JUST MFG. COMPANY CONTINUES TO MAKE QUALITY AND FUNCTIONALITY A MARK OF THE JUST PRODUCT LINE. WE RESERVE THE RIGHT TO CHANGE PRODUCT INFORMATION WITHOUT NOTICE. DIMENSIONS MAY CHANGE AND MAY BE SUBJECT TO CHANGE WITHOUT NOTICE. NO RESPONSIBILITY IS ASSUMED FOR USE OF SUPERCEDED OR VOIDED DATA. JUST MFG. CO. SINKS ARE MADE IN THE U.S.A. WHEN COMPARING OTHER BRAND PRODUCTS, BE SURE TO COMPARE USA QUALITY ALONG WITH FEATURES AND DIMENSIONS.

JUST MANUFACTURING COMPANY

9233 KING STREET . FRANKLIN PARK . ILLINOIS . 60131-2111

PH: 847-678-5150 . FAX: 847-678-6817 . E-MAIL: custserv@justmfg.com . www.justmfg.com