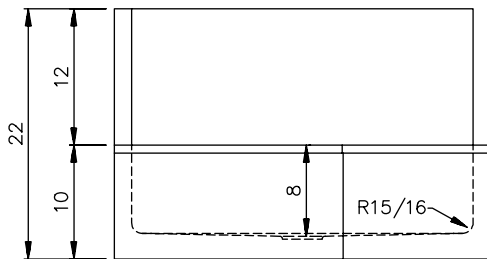
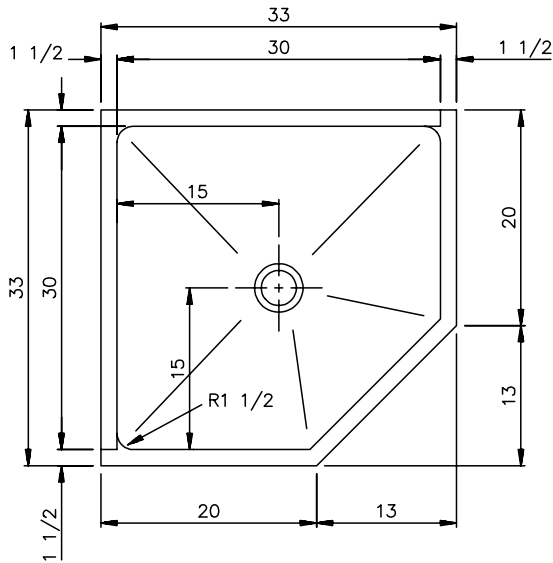
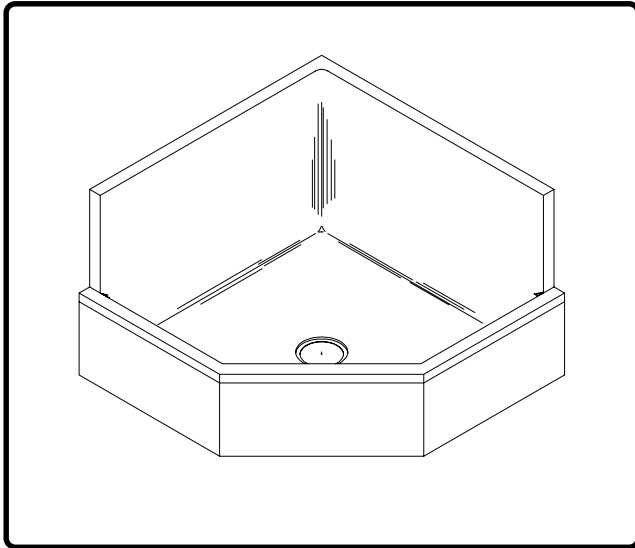




UNDERMOUNT GROUP



OPENING FOR
J-127-B CHROME PLATED BRASS
DRAIN WITH STAINLESS STEEL BEEHIVE
STRAINER AND LINT BASKET (3" CAULK)

JUST MFG. COMPANY CONTINUES TO MAKE QUALITY AND FUNCTIONALITY A MARK OF THE JUST PRODUCT LINE. TO DO SO REQUIRES THAT WE RESERVE THE RIGHT TO CHANGE PRODUCT INFORMATION WITHOUT NOTICE. FOR THE MOST CURRENT AND ACCURATE INFORMATION REGARDING THE COMPLETE LINE OF JUST SINKS, FAUCETS AND DRAINS, CLICK ON THE **SPEC LINE DRAWINGS** LINK ON OUR WEB SITE AT www.justmfg.com

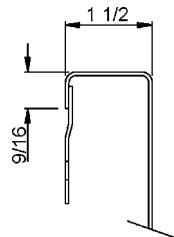
B-33213

CORNER FLOOR MOP SINK

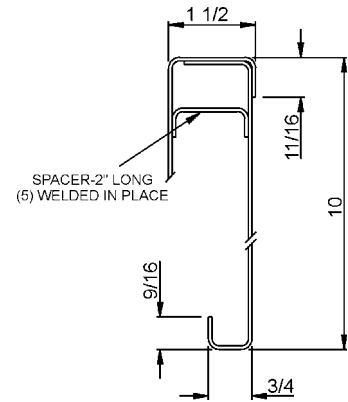


SPECIFICATION

Top, bowl and apron fabricated of 16 gauge type 304 stainless steel. Interior surfaces polished with a Hand-Blended Just Finish. Exposed exterior surfaces polished with a standard brush finish. Drain punch for Just J-127-B 3" caulk drain. Furnished with two 14 gauge stainless steel wall clips and one J-127-B drain with 3" caulk connection..



SECTION THRU BACKSPLASH



SECTION THRU APRON

Job Name _____
 Customer _____
 Architect/Engineer _____
APPROVED FOR MANUFACTURING
 MODEL NO. _____ QTY. _____
 COMPANY _____
 TITLE _____ DATE _____
 SIGNATURE _____

SUBMITTAL DATA

REVISED-5/2004