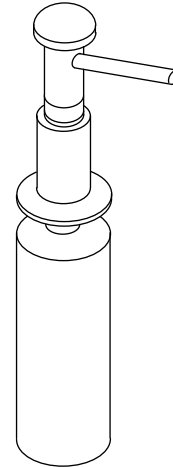




Features

- Brass construction
- Intended for kitchen sink and bathroom lavatory installations
- 3-3/4" (95 mm) high pump
- 2-11/16" (68 mm) spout
- Refillable from the top
- 8.5 fluid ounce (.251 ml) capacity
- Top spout removable, for easy access

SOAP/LOTION DISPENSER K-9619



Codes/Standards Applicable

Specified model meets or exceeds the following:

- ASME A112.18.1/CSA B125.1

Colors/Finishes

- CP: Polished Chrome
- PB: Vibrant® Polished Brass
- Other: Refer to Price Book for additional colors/finishes

Specified Model

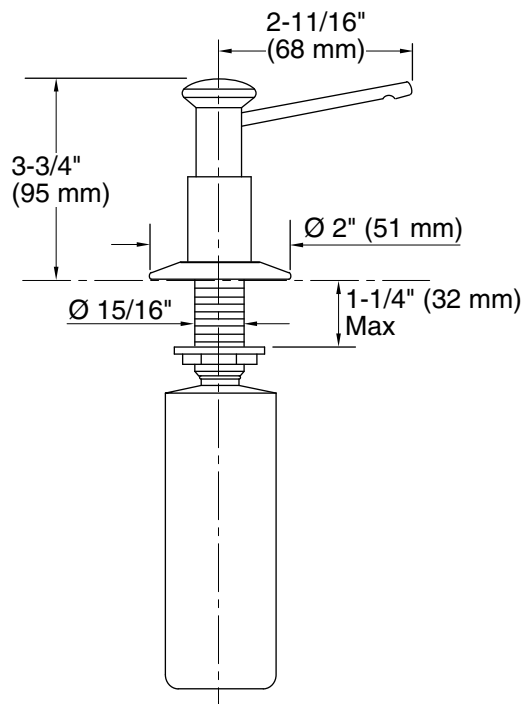
| Model | Description | Colors/Finishes | | |
|--------|-----------------------|-----------------------------|-----------------------------|-------------------------------------|
| | | <input type="checkbox"/> CP | <input type="checkbox"/> PB | <input type="checkbox"/> Other_____ |
| K-9619 | Soap/lotion dispenser | | | |

Product Specification

Soap/lotion dispenser shall be of brass construction. Product shall feature 3-3/4" (95 mm) high pump, 2-11/16" (68 mm) spout, and is refillable from the top. Product is intended for kitchen sink and bathroom lavatory installations and has an 8.5 fluid ounce (.251 ml) capacity. Product shall have top spout removable for easy access. Dispenser shall be Kohler Model K-9619-_____.

Installation Notes

Install this product according to the installation guide.



Product Diagram