



McGuire Manufacturing Co., Inc.

60 Grandview Court
 P.O. Box 746 • Cheshire, CT 06410
 203-699-1801 • Fax: 203-699-1813
 www.mcguiremfg.com

PRODUCT SPECIFICATION

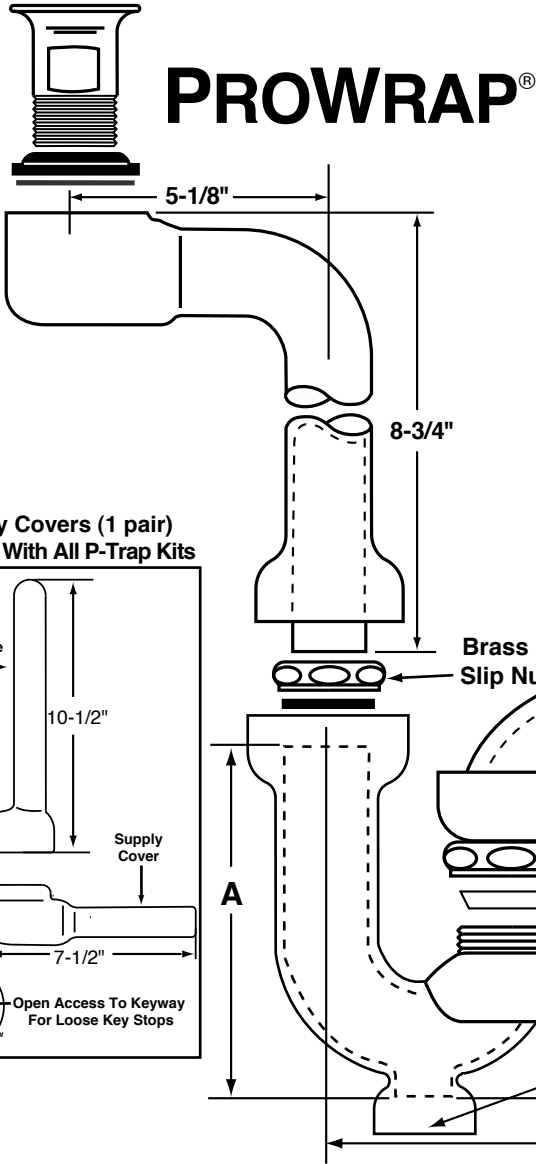
Part No.

**PW2125WC, PW2150WC,
 PW2150NCOWC**

**Seamless PreWrapped
 Cast P-Trap Insulation Kit**

Job Name:

Submittal Number:



Insulation Material Specifications

MATERIAL... Molded closed cell vinyl (ANTI-MICROBIAL)

DUROMETER... 70 shore A

COLOR... Glossy White

BURNING CHARACTERISTICS...

ASTM D 635: Less than 5 sec (ATB) 10mm (AEB)

HEAT RESISTANCE...

ASTM C 177: BTU - in/hr - ft 2 - °F KValue = 1.02

FUNGAL RESISTANCE...

ASTM G - 21: (Rating*) 0 fungal growth measured

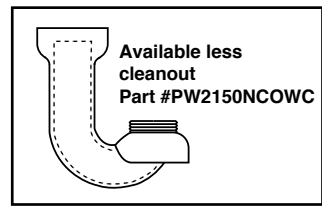
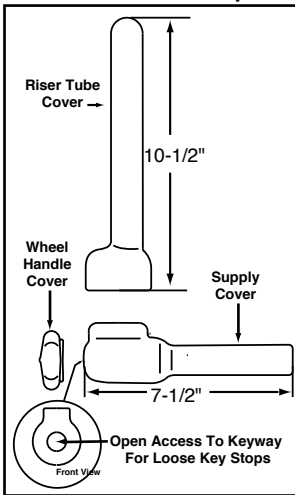
ASTM G - 22: (Rating*) 0 bacterial growth measured

*ASTM Rating - Observed Growth on Specimens

0	None
1	Traces of Growth (less than 10%)
2	Light Growth (10-30%)
3	Medium Growth (30-60%)
4	Heavy Growth (60%-complete coverage)

Environmental Controls:
 Paper - 4, Cork - 1, Cotton - 4, Glass - 0

**Supply Covers (1 pair)
 Included With All P-Trap Kits**



ROUGHING MEASUREMENTS				
MODEL NO.	P-TRAP DIMENSIONS	A	B	
PW2125WC	1-1/4" - 17 G.A. - 11" C to E	5"	4-1/2"	
PW2150WC	1-1/2" - 17 G.A. - 12" C to E	5"	4-1/2"	

Note: PW2125WC includes McGuire 155WC Offset Strainer and 8872 P-Trap.
Note: PW2150WC includes McGuire 155WC Offset Strainer and (8902-8912) P-Trap.
Note: PW2150WC ships with additional 1-1/4" x 1-1/2" brass reducing nut and washer.

A.D.A.



MADE IN USA
 U.S. PATENT
 5,341,830 5,586,568
 5,904,175 5,911,237
 5,795,623 5,678,598

See options and accessories section for details on product variations.

Specifications:

Seamless PreWrapped Adjustable Cast Brass P-Trap Kit with PreWrapped offset grid drain. Furnished with McGuire cast brass adjustable P-Trap with or without cleanout, offset grid drain assembly, seamless riser tube covers, supply angle stop covers, angle stop wheel handle covers and chrome plated box flange.