



Architect/Engineering Specifications:

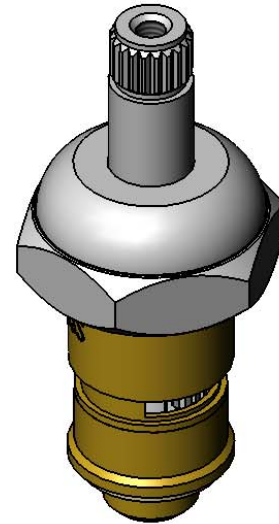
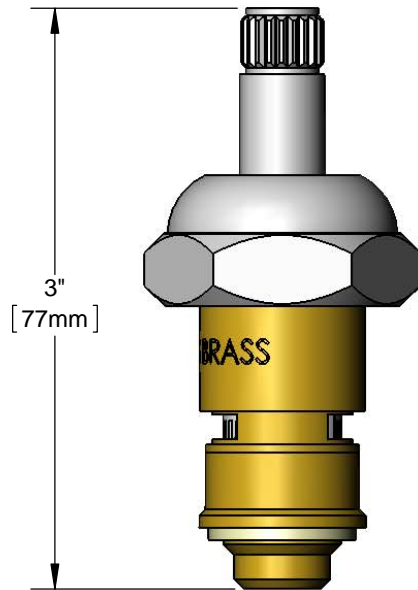
Cerama Cartridge, LTC with check valve and bonnet. Fits all T&S faucets. Certified to NSF 61-Section 9 and NSF 372.

Job Name _____

Model Specified _____ Quantity _____

Variations Specified _____

Date _____



Features & Benefits:

- Cerama Cartridge, LTC w/ check valve
- Escutcheon bonnet
- Fits all T&S faucets
- Material: Chrome plated brass

Product Compliance:

- ASME A112.18.1 / CSA B125.1
- NSF 61 - Section 9
- NSF 372 (Low Lead Content)



Warranty: Lifetime (Limited)



Performance Data:

- Pressure: 20 - 125 psi
- Temperature: 40°F - 180°F
- Flow Rate: 6.19 GPM @ 60 psi

