



**BRADFORD WHITE**<sup>®</sup>  
W A T E R   H E A T E R S

**RESIDENTIAL & LIGHT DUTY  
COMMERCIAL REPLACEMENT PARTS LIST**

**“MI”, “M(1,2)XR”, “M4” and  
Light Duty 50T65, 65T65 Models**



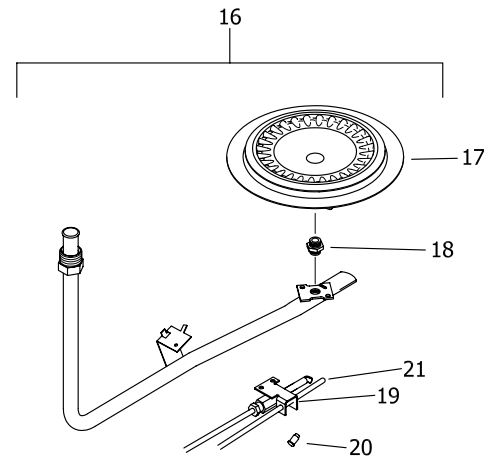
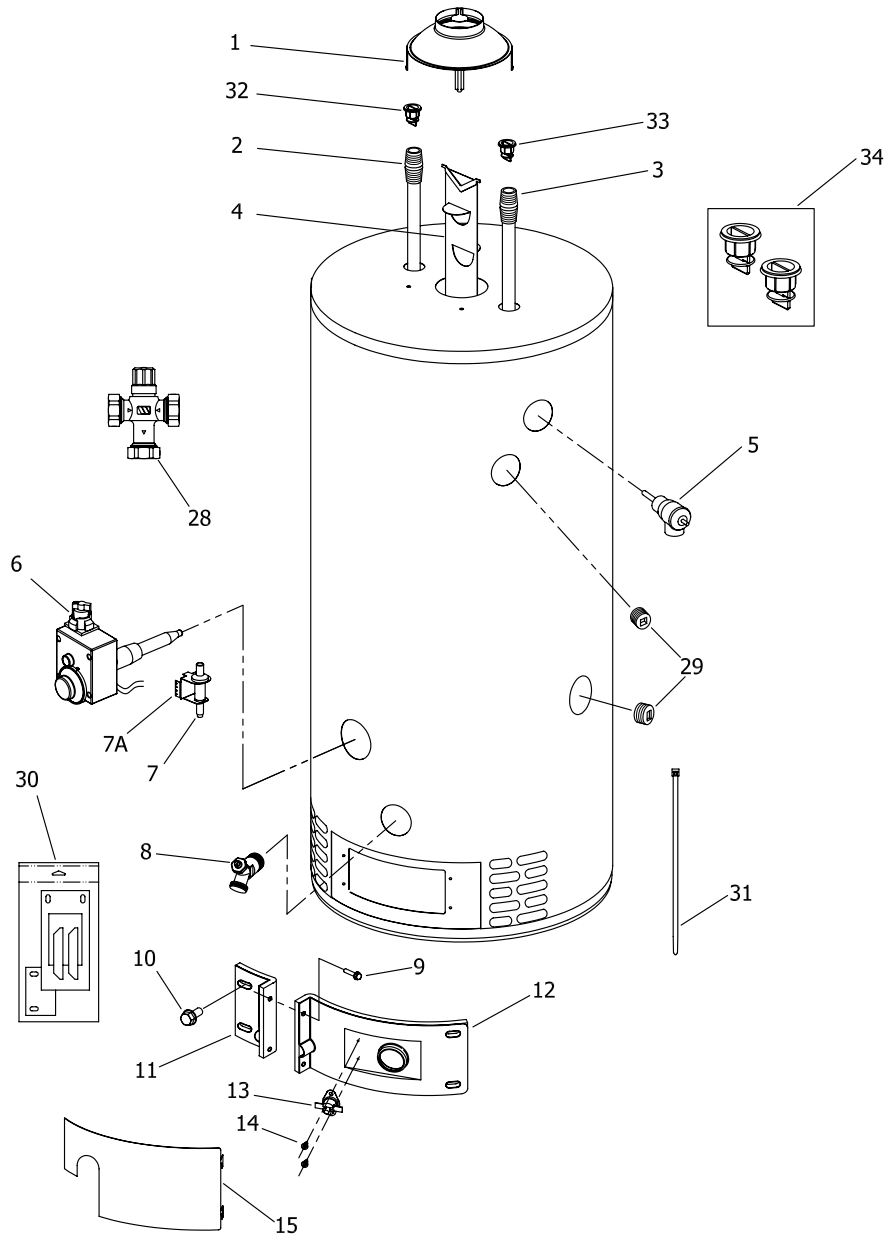
**DEFENDER**  
*SAFETY SYSTEM*<sup>®</sup>

Includes Hydrojet<sup>®</sup>  
Total Performance System

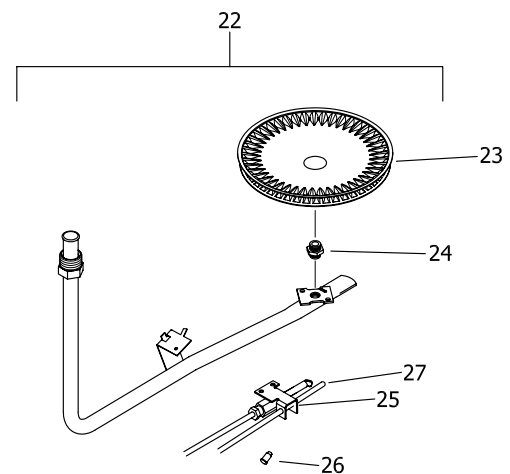
***Effective: July 31, 2008***  
***ECO 7291-2***

**NOTE: BOTH MODEL AND SERIAL  
NUMBERS ARE REQUIRED FOR  
ORDERING REPLACEMENT PARTS**

Dimensions and specifications  
subject to change without notice.



NATURAL GAS (BN) BURNER ASSEMBLY



LP GAS (SX) BURNER ASSEMBLY

LP GAS (SX) BURNER ASSEMBLY TO REPLACE LP GAS (CX) BURNER ASSEMBLY  
ON ALL MODELS EXCEPT 75 & 100 GAL. MODELS

| Item   | Description  | Model             | Model             | Model             | Model             | Model             |
|--|--|-------------------|-------------------|-------------------|-------------------|-------------------|
|  |  | MI30T°F(BN,CX,SX) | MI30S°F(BN,CX,SX) | MI30T°F(BN,CX,SX) | MI40T°F(BN,CX,SX) | MI40S°F(BN,CX,SX) |
| 1  | Draft Hood   | 243-45787-00      | 243-45787-00      | 243-45787-00      | 243-45787-00      | 243-45787-00      |
| 2  | Hot Water Outlet Anode Magnesium▲                  | 224-32731-95      | 224-32731-97      | 224-32731-82      | 224-32731-95      | 224-32731-81      |
|  | Hot Water Outlet Aluminum▲                         | 224-32999-24      | 224-32999-25      | 224-32999-06      | 224-32999-24      | 224-32999-31      |
|  | Hot Water Outlet A420 Aluminum▲                    | 224-45147-02      | 224-45147-02      | 224-45147-03      | 224-45147-02      | 224-45147-04      |
| 3  | Cold Water Inlet Dip Tube Polypropylene▲▲          | 229-39625-23      | 229-39625-24      | 229-39625-07      | 229-39625-25      | 229-39625-03      |
|  | Cold Water Inlet Polysulfone (NC Code)▲▲           | 229-39628-26      | 229-39628-27      | 229-39628-07      | 229-39628-28      | 229-39628-03      |
| 4  | Flue Baffle  | 243-44639-00      | 243-45226-00      | 243-45224-00      | 243-42283-00      | 243-45223-00      |
| 5  | T&P Relief Valve                                   | 265-32920-01      | 265-32920-01      | 265-32920-01      | 265-32920-01      | 265-32920-01      |
| 6  | Gas Valve Natural Gas                              | 265-46181-01      | 265-46181-01      | 265-46181-01      | 265-46181-01      | 265-46181-01      |
|  | Gas Valve LP Gas                                   | 265-46182-01      | 265-46182-01      | 265-46182-01      | 265-46182-01      | 265-46182-01      |
| 7  | Piezo Igniter                                      | 239-43448-00      | 239-43448-00      | 239-43448-00      | 239-43448-00      | 239-43448-00      |
| 7A   | Piezo Bracket (White Rodgers)                      | 239-46157-02      | 239-46157-02      | 239-46157-02      | 239-46157-02      | 239-46157-02      |
|  | Piezo Bracket (Robertshaw)                         | 239-43449-00      | 239-43449-00      | 239-43449-00      | 239-43449-00      | 239-43449-00      |
| 8  | Brass Drain Valve                                  | 265-42351-02      | 265-42351-02      | 265-42351-02      | 265-42351-02      | 265-42351-02      |
| 9  | Screw-#8-18 x 3/4 HWH                              | 239-44195-00      | 239-44195-00      | 239-44195-00      | 239-44195-00      | 239-44195-00      |
| 10   | Screw-#10-12 x 3/4 HWH                             | 239-44113-00      | 239-44113-00      | 239-44113-00      | 239-44113-00      | 239-44113-00      |
| 11   | Left Side Inner Door Complete                      | 239-43968-14      | 239-43968-16      | 239-43968-14      | 239-43968-16      | 239-43968-18      |
| 12   | Nat. Gas Right Side Inner Door Complete            | 239-43963-02      | 239-43963-03      | 239-43963-02      | 239-43963-05      | 239-43963-07      |
|  | LP Gas Right Side Inner Door Complete              | 239-43963-02      | 239-43963-03      | 239-43963-01      | 239-43963-03      | 239-43963-07      |
| 13   | Nat. Gas Resettable Thermal Switch                 | 239-43676-03      | 239-43676-01      | 239-43676-03      | 239-43676-03      | 239-43676-02      |
|  | LP Gas Resettable Thermal Switch                   | 239-43676-03      | 239-43676-01      | 239-43676-02      | 239-43676-01      | 239-43676-02      |
| 14   | Screw-#6-20 x 3/8 PHCR                             | 239-43967-00      | 239-43967-00      | 239-43967-00      | 239-43967-00      | 239-43967-00      |
| 15   | Outer Door   | 243-43962-00      | 243-43962-00      | 243-43962-00      | 243-43962-00      | 243-43962-00      |
| <b>Natural Gas (BN) Burner Assembly</b>                                |  |                   |                   |                   |                   |                   |
| 16   | Nat Gas Burner Assembly Complete***                | 265-47439-02-36   | 265-47439-04-38   | 265-47439-02-32   | 265-47439-04-32   | 265-47439-07-32   |
| 17   | Nat. Gas (BN) Burner**                             | 228-42506-00      | 228-42506-00      | 228-42506-00      | 228-42506-00      | 228-42506-00      |
| 18   | Nat. Gas (BN) Main Burner Orifice**                | 234-41034-36      | 234-41034-38      | 234-41034-32      | 234-41034-32      | 234-41034-32      |
|  | Nat. Gas (BN) High Altitude 2001 Ft. to 5000 Ft.** | 234-41034-39      | 234-41034-41      | 234-41034-36      | 234-41034-36      | 234-41034-36      |
|  | Nat. Gas (BN) High Altitude 5001 Ft. to 8000 Ft.** | 234-41034-41      | 234-41034-43      | 234-41034-38      | 234-41034-38      | 234-41034-38      |
|  | Nat. Gas (BN) High Altitude Over 8000 Ft.**        | 234-41034-43      | 234-41034-43      | 234-41034-38      | 234-41034-38      | 234-41034-38      |
| 19   | Nat. Gas Pilot Assembly**                          | 233-46277-04      | 233-46277-04      | 233-46277-04      | 233-46277-04      | 233-46277-04      |
| 20   | Nat. Gas Pilot Orifice**                           | 234-46502-05      | 234-46502-05      | 234-46502-05      | 234-46502-05      | 234-46502-05      |
| 21   | Thermocouple**                                     | 233-46501-15      | 233-46501-15      | 233-46501-15      | 233-46501-15      | 233-46501-15      |
| <b>LP Gas (SX) Titanium Stabilized Stainless Steel Burner Assembly</b> |  |                   |                   |                   |                   |                   |
| <b>(Replacement for LP Gas (CX) Cast Iron Burner)</b>                  |  |                   |                   |                   |                   |                   |
| 22   | LP Gas Burner Assembly Complete***                 | 265-47440-02-60   | 265-47440-05-54   | 265-47440-02-52   | 265-47440-05-52   | 265-47440-11-50   |
| 23   | LP Gas (SX) Burner**                               | 228-46964-00      | 228-46964-00      | 228-46964-00      | 228-46964-00      | 228-46964-00      |
| 24   | LP Gas (SX) Main Burner Orifice**                  | 234-47064-60      | 234-47064-54      | 234-47064-52      | 234-47064-52      | 234-47064-50      |
|  | LP Gas (SX) High Altitude 2001 Ft. to 5000 Ft.**   | 234-47064-54      | 234-47064-54      | 234-47064-53      | 234-47064-53      | 234-47064-51      |
|  | LP Gas (SX) High Altitude 5001 Ft. to 8000 Ft.**   | 234-47064-54      | 234-47064-54      | 234-47064-54      | 234-47064-54      | 234-47064-52      |
|  | LP Gas (SX) High Altitude Over 8000 Ft.**          | 234-47064-54      | 234-47064-54      | 234-47064-54      | 234-47064-54      | 234-47064-53      |
| 25   | LP Gas Pilot Assembly**                            | 233-46278-03      | 233-46278-03      | 233-46278-03      | 233-46278-03      | 233-46278-03      |
| 26   | LP Gas Pilot Orifice**                             | 234-46502-02      | 234-46502-02      | 234-46502-02      | 234-46502-02      | 234-46502-02      |
| 27   | Thermocouple**                                     | 233-46501-15      | 233-46501-15      | 233-46501-15      | 233-46501-15      | 233-46501-15      |
| 28   | ASSE Approved Mixing Valve (Optional)              | 239-43740-01      | 239-43740-01      | 239-43740-01      | 239-43740-01      | 239-43740-01      |
| 29   | 3/4 NPT Plug                                       | ---               | ---               | ---               | ---               | ---               |
| 30   | Inner Door Gasket Kit                              | 239-44078-00      | 239-44078-00      | 239-44078-00      | 239-44078-00      | 239-44078-00      |
| 31   | Wire Tie   | 239-44328-00      | 239-44328-00      | 239-44328-00      | 239-44328-00      | 239-44328-00      |
| 32   | Heat Trap Insert (Outlet)                          | 239-45167-00      | 239-45167-00      | 239-45167-00      | 239-45167-00      | 239-45167-00      |
| 33   | Heat Trap Insert (Inlet)                           | 239-45073-00      | 239-45073-00      | 239-45073-00      | 239-45073-00      | 239-45073-00      |
| 34   | Kit-Heat Trap Insert                               | 265-45420-00      | 265-45420-00      | 265-45420-00      | 265-45420-00      | 265-45420-00      |
| -  | LP to Natural Gas Conversion Kit (Norm Alt.)       | 265-45712-01      | 265-45712-02      | 265-45712-03      | 265-45712-04      | 265-45712-05      |
| -  | LP to Natural Gas Conversion Kit (High Alt.)       | 265-45712-13      | 265-45712-14      | 265-45712-15      | 265-45712-16      | 265-45712-17      |

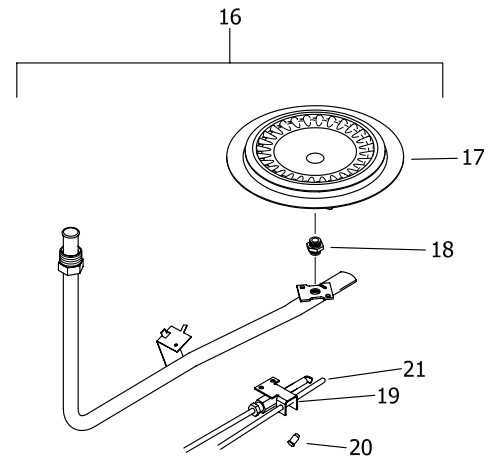
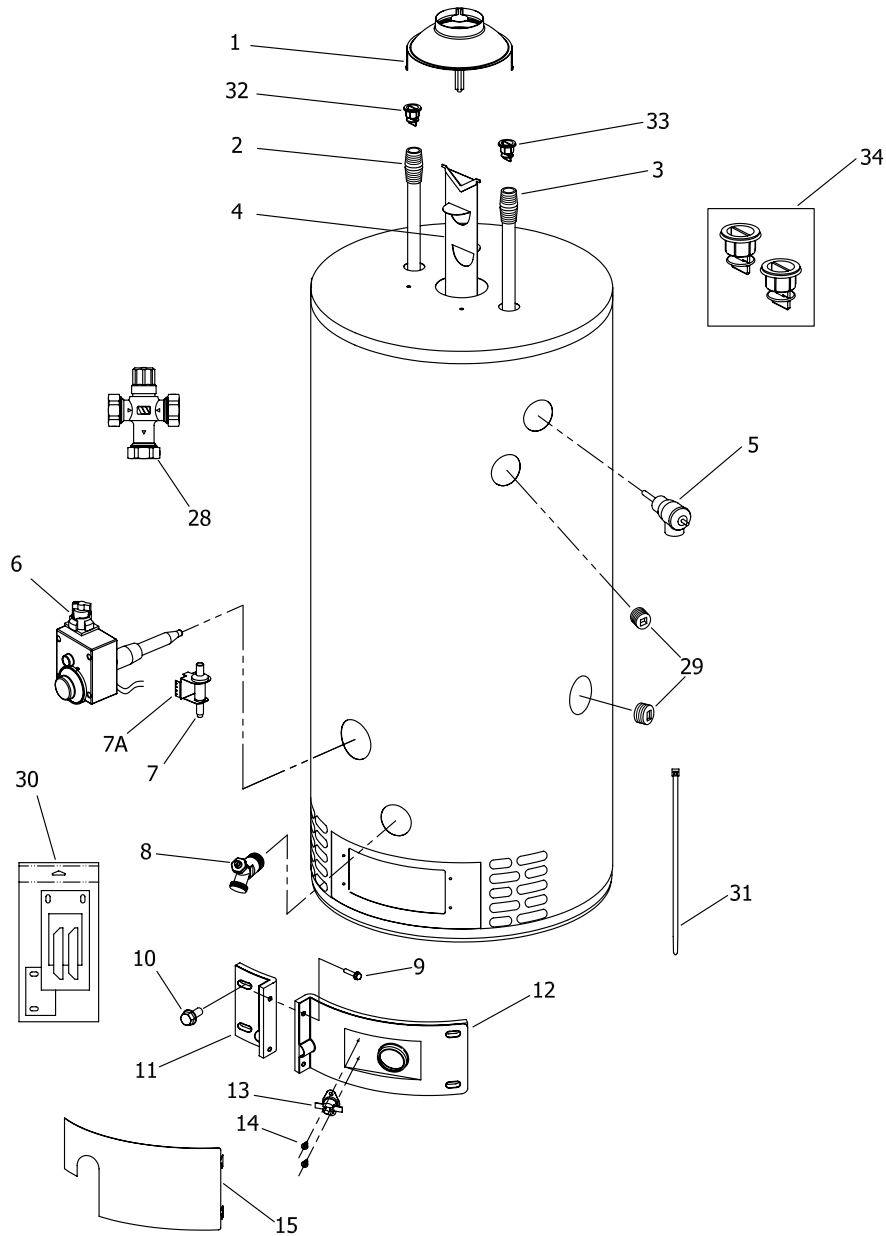
\*Applies to all warranties

\*\*Inner door gasket kit recommended

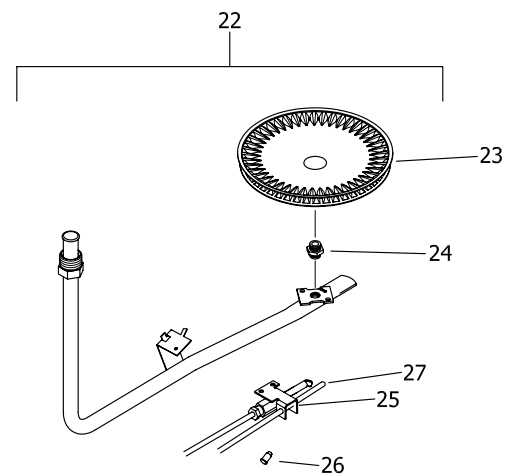
\*\*\*Ordering a complete burner assembly may increase delivery time. Please order the specific component required for the quickest delivery.

▲Order with item 32

▲▲Order with item 33



NATURAL GAS (BN) BURNER ASSEMBLY



LP GAS (SX) BURNER ASSEMBLY

LP GAS (SX) BURNER ASSEMBLY TO REPLACE LP GAS (CX) BURNER ASSEMBLY  
ON ALL MODELS EXCEPT 75 & 100 GAL. MODELS

| Item   | Description  | Model   | Model             | Model             | Model              | Model             |
|--|--|---|-------------------|-------------------|--------------------|-------------------|
|  |  | MI404T*F(BN,CX,SX)                                    | MI503*F(BN,CX,SX) | MI50L*F(BN,CX,SX) | MI504S*F(BN,CX,SX) | MI60T*F(BN,CX,SX) |
| 1  | Draft Hood   | 243-33081-02-20                                       | 243-45787-00      | 243-45787-00      | 243-12950-00       | 243-45787-00      |
| 2  | Hot Water Outlet Anode Magnesium▲                  | 224-32731-82  | 224-32731-107     | 224-32731-81      | 224-32731-82       | 224-32731-86      |
|  | Hot Water Outlet Aluminum▲                         | 224-32999-06  | 224-32999-21      | 224-32999-31      | 224-32999-06       | 224-32999-30      |
|  | Hot Water Outlet A420 Aluminum▲                    | 224-45147-03  | 224-45147-02      | 224-45147-04      | 224-45147-03       | 224-45147-01      |
| 3  | Cold Water Inlet Dip Tube Polypropylene▲▲          | 229-39625-06  | 229-39625-22      | 229-39625-05      | 229-39625-06       | 229-39625-14      |
|  | Cold Water Inlet Polysulfone (NC Code)▲▲           | 229-39628-06  | 229-39628-21      | 229-39628-05      | 229-39628-06       | 229-39628-14      |
| 4  | Flue Baffle  | 243-45225-00  | 243-44705-00      | 243-45223-00      | 243-45225-00       | 243-42283-00      |
| 5  | T&P Relief Valve                                   | 265-32920-01  | 265-32920-01      | 265-32920-01      | 265-32920-01       | 265-32920-01      |
| 6  | Gas Valve Natural Gas                              | 265-46181-01  | 265-46181-01      | 265-46181-01      | 265-46181-01       | 265-46181-01      |
|  | Gas Valve LP Gas                                   | 265-46182-01  | 265-46182-01      | 265-46182-01      | 265-46182-01       | 265-46182-01      |
| 7  | Piezo Igniter                                      | 239-43448-00  | 239-43448-00      | 239-43448-00      | 239-43448-00       | 239-43448-00      |
| 7A   | Piezo Bracket (White Rodgers)                      | 239-46157-02  | 239-46157-02      | 239-46157-02      | 239-46157-02       | 239-46157-02      |
|  | Piezo Bracket (Robertshaw)                         | 239-43449-00  | 239-43449-00      | 239-43449-00      | 239-43449-00       | 239-43449-00      |
| 8  | Brass Drain Valve                                  | 265-42351-02  | 265-42351-02      | 265-42351-02      | 265-42351-02       | 265-42351-02      |
| 9  | Screw-#8-18 x 3/4 HWH                              | 239-44195-00  | 239-44195-00      | 239-44195-00      | 239-44195-00       | 239-44195-00      |
| 10   | Screw-#10-12 x 3/4 HWH                             | 239-44113-00  | 239-44113-00      | 239-44113-00      | 239-44113-00       | 239-44113-00      |
| 11   | Left Side Inner Door Complete                      | 239-43968-16  | 239-43968-18      | 239-43968-20      | 239-43968-18       | 239-43968-20      |
| 12   | Nat. Gas Right Side Inner Door Complete            | 239-43963-05  | 239-43963-07      | 239-43963-09      | 239-43963-06       | 239-43963-12      |
|  | LP Gas Right Side Inner Door Complete              | 239-43963-05  | 239-43963-07      | 239-43963-09      | 239-43963-06       | 239-43963-13      |
| 13   | Nat. Gas Resettable Thermal Switch                 | 239-43676-03  | 239-43676-02      | 239-43676-01      | 239-43676-01       | 239-43676-02      |
|  | LP Gas Resettable Thermal Switch                   | 239-43676-03  | 239-43676-02      | 239-43676-01      | 239-43676-01       | 239-43676-03      |
| 14   | Screw-#6-20 x 3/8 PHCR                             | 239-43967-00  | 239-43967-00      | 239-43967-00      | 239-43967-00       | 239-43967-00      |
| 15   | Outer Door   | 243-43962-00  | 243-43962-00      | 243-43962-00      | 243-43962-00       | 243-43962-00      |
| <b>Natural Gas (BN) Burner Assembly</b>                                |  |   |                   |                   |                    |                   |
| 16   | Nat Gas Burner Assembly Complete***                | 265-47439-04-30                                       | 265-47439-07-32   | 265-47439-10-32   | 265-47439-07-30    | 265-47439-10-32   |
| 17   | Nat. Gas (BN) Burner**                             | 228-42506-00  | 228-42506-00      | 228-42506-00      | 228-42506-00       | 228-42506-00      |
| 18   | Nat. Gas (BN) Main Burner Orifice**                | 234-41034-30  | 234-41034-32      | 234-41034-32      | 234-41034-30       | 234-41034-32      |
|  | Nat. Gas (BN) High Altitude 2001 Ft. to 5000 Ft.** | 234-41034-31  | 234-41034-36      | 234-41034-36      | 234-41034-31       | 234-41034-36      |
|  | Nat. Gas (BN) High Altitude 5001 Ft. to 8000 Ft.** | 234-41034-32  | 234-41034-38      | 234-41034-38      | 234-41034-32       | 234-41034-38      |
|  | Nat. Gas (BN) High Altitude Over 8000 Ft.**        | 234-41034-33  | 234-41034-38      | 234-41034-38      | 234-41034-33       | 234-41034-38      |
| 19   | Nat. Gas Pilot Assembly**                          | 233-46277-04  | 233-46277-04      | 233-46277-04      | 233-46277-04       | 233-46277-04      |
| 20   | Nat. Gas Pilot Orifice**                           | 234-46502-05  | 234-46502-05      | 234-46502-05      | 234-46502-05       | 234-46502-05      |
| 21   | Thermocouple**                                     | 233-46501-15  | 233-46501-15      | 233-46501-24      | 233-46501-15       | 233-46501-24      |
| <b>LP Gas (SX) Titanium Stabilized Stainless Steel Burner Assembly</b> |  | <b>(Replacement for LP Gas (CX) Cast Iron Burner)</b> |                   |                   |                    |                   |
| 22   | LP Gas Burner Assembly Complete***                 | 265-47440-06-47                                       | 265-47440-11-51   | 265-47440-17-50   | 265-47440-12-47    | 265-47440-17-50   |
| 23   | LP Gas (SX) Burner**                               | 228-47000-00  | 228-46964-00      | 228-46964-00      | 228-47000-00       | 228-46964-00      |
| 24   | LP Gas (SX) Main Burner Orifice**                  | 234-47064-47  | 234-47064-51      | 234-47064-50      | 234-47064-47       | 234-47064-50      |
|  | LP Gas (SX) High Altitude 2001 Ft. to 5000 Ft.**   | 234-47064-49  | 234-47064-53      | 234-47064-51      | 234-47064-49       | 234-47064-51      |
|  | LP Gas (SX) High Altitude 5001 Ft. to 8000 Ft.**   | 234-47064-50  | 234-47064-53      | 234-47064-52      | 234-47064-50       | 234-47064-52      |
|  | LP Gas (SX) High Altitude Over 8000 Ft.**          | 234-47064-51  | 234-47064-54      | 234-47064-53      | 234-47064-51       | 234-47064-53      |
| 25   | LP Gas Pilot Assembly**                            | 233-46278-03  | 233-46278-03      | 233-46278-03      | 233-46278-03       | 233-46278-03      |
| 26   | LP Gas Pilot Orifice**                             | 234-46502-02  | 234-46502-02      | 234-46502-02      | 234-46502-02       | 234-46502-02      |
| 27   | Thermocouple**                                     | 233-46501-15  | 233-46501-15      | 233-46501-24      | 233-46501-15       | 233-46501-24      |
| 28   | ASSE Approved Mixing Valve (Optional)              | 239-43740-01  | 239-43740-01      | 239-43740-01      | 239-43740-01       | 239-43740-01      |
| 29   | 3/4 NPT Plug                                       | ---   | ---               | ---               | ---                | ---               |
| 30   | Inner Door Gasket Kit                              | 239-44078-00  | 239-44078-00      | 239-44078-00      | 239-44078-00       | 239-44078-00      |
| 31   | Wire Tie   | 239-44328-00  | 239-44328-00      | 239-44328-00      | 239-44328-00       | 239-44328-00      |
| 32   | Heat Trap Insert (Outlet)                          | 239-45167-00  | 239-45167-00      | 239-45167-00      | 239-45167-00       | 239-45167-00      |
| 33   | Heat Trap Insert (Inlet)                           | 239-45073-00  | 239-45073-00      | 239-45073-00      | 239-45073-00       | 239-45073-00      |
| 34   | Kit-Heat Trap Insert                               | 265-45420-00  | 265-45420-00      | 265-45420-00      | 265-45420-00       | 265-45420-00      |
| -  | LP to Natural Gas Conversion Kit (Norm Alt.)       | 265-45712-06  | 265-45712-05      | 265-45712-07      | 265-45712-08       | 265-45712-27      |
| -  | LP to Natural Gas Conversion Kit (High Alt.)       | 265-45712-18  | 265-45712-17      | 265-45712-19      | 265-45712-20       | 265-45712-28      |

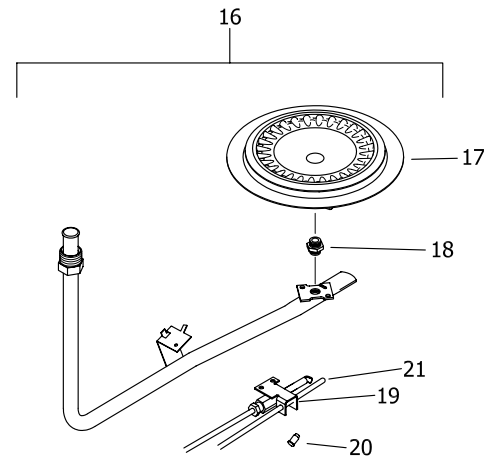
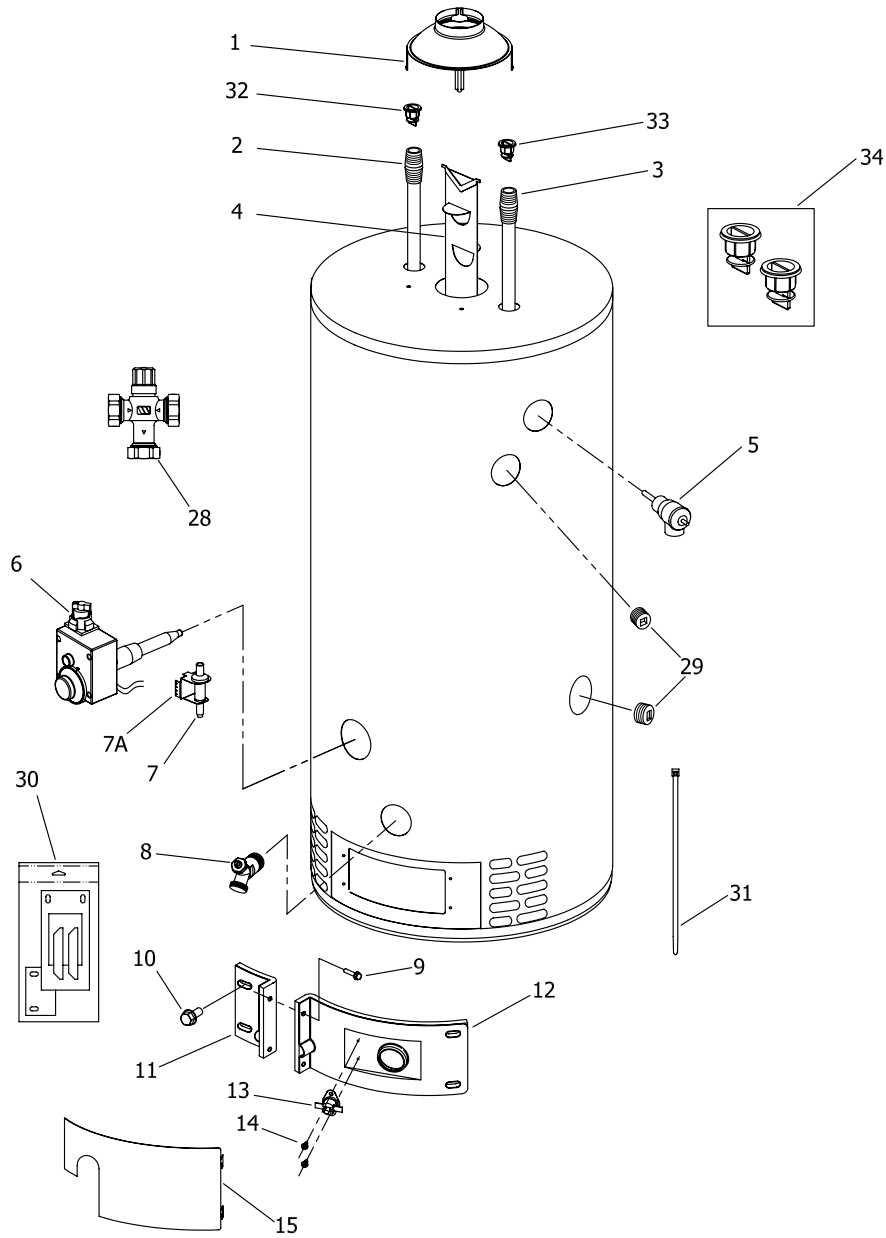
\*Applies to all warranties

\*\*Inner door gasket kit recommended

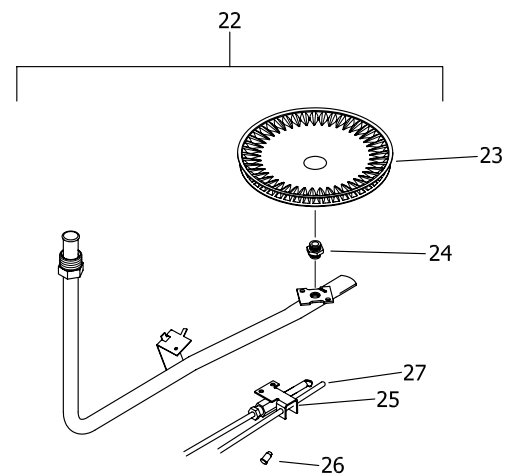
\*\*\*Ordering a complete burner assembly may increase delivery time. Please order the specific component required for the quickest delivery.

▲ Order with item 32

▲▲ Order with item 33



NATURAL GAS (BN) BURNER ASSEMBLY



LP GAS (SX) BURNER ASSEMBLY

LP GAS (SX) BURNER ASSEMBLY TO REPLACE LP GAS (CX) BURNER ASSEMBLY  
ON ALL MODELS EXCEPT 75 & 100 GAL. MODELS

| Item  | Description  | Model                | Model                | Model             | Model              | Model             |
|---|--|----------------------|----------------------|-------------------|--------------------|-------------------|
|   |  | M1XR403S*F(BN,CX,SX) | M2XR504T*F(BN,CX,SX) | M430T*F(BN,CX,SX) | M4403S*F(BN,CX,SX) | M440T*F(BN,CX,SX) |
| 1   | Draft Hood   | 243-45787-00         | 243-33081-02-20      | 243-45787-00      | 243-45787-00       | 243-45787-00      |
| 2   | Hot Water Outlet Anode Magnesium▲                  | 224-32731-81         | 224-32731-86         | 224-32731-95      | 224-32731-81       | 224-32731-95      |
|   | Hot Water Outlet Aluminum▲                         | 224-32999-31         | 224-32999-30         | 224-32999-24      | 224-32999-31       | 224-32999-24      |
|   | Hot Water Outlet A420 Aluminum▲                    | 224-45147-04         | 224-45147-01         | 224-45147-02      | 224-45147-04       | 224-45147-02      |
| 3   | Cold Water Inlet Dip Tube Polypropylene▲▲          | 229-39625-03         | 229-39625-18         | 229-39625-23      | 229-39625-03       | 229-39625-25      |
|   | Cold Water Inlet Polysulfone (NC Code)▲▲           | 229-39628-03         | 229-39628-18         | 229-39628-26      | 229-39628-03       | 229-39628-28      |
| 4   | Flue Baffle  | 243-45223-00         | 243-41037-00         | 243-44639-00      | 243-45223-00       | 243-42283-00      |
| 5   | T&P Relief Valve                                   | 265-32920-01         | 230-40594-02         | 230-40594-02      | 230-40594-02       | 230-40594-02      |
| 6   | Gas Valve Natural Gas                              | 265-46181-01         | 265-46181-04         | 265-46181-02      | 265-46181-02       | 265-46181-02      |
|   | Gas Valve LP Gas                                   | 265-46182-01         | 265-46182-02         | 265-46182-02      | 265-46182-02       | 265-46182-02      |
| 7   | Piezo Igniter                                      | 239-43448-00         | 239-43448-00         | 239-43448-00      | 239-43448-00       | 239-43448-00      |
| 7A  | Piezo Bracket (White Rodgers)                      | 239-46157-02         | 239-46157-02         | 239-46157-02      | 239-46157-02       | 239-46157-02      |
|   | Piezo Bracket (Robertshaw)                         | 239-43449-00         | 239-43449-00         | 239-43449-00      | 239-43449-00       | 239-43449-00      |
| 8   | Brass Drain Valve                                  | 265-42351-02         | 265-42351-02         | 265-42351-02      | 265-42351-02       | 265-42351-02      |
| 9   | Screw-#8-18 x 3/4 HWH                              | 239-44195-00         | 239-44195-00         | 239-44195-00      | 239-44195-00       | 239-44195-00      |
| 10  | Screw-#10-12 x 3/4 HWH                             | 239-44113-00         | 239-44113-00         | 239-44113-00      | 239-44113-00       | 239-44113-00      |
| 11  | Left Side Inner Door Complete                      | 239-43968-18         | 239-43968-18         | 239-43968-14      | 239-43968-18       | 239-43968-16      |
| 12  | Nat. Gas Right Side Inner Door Complete            | 239-43963-07         | 239-43963-07         | 239-43963-02      | 239-43963-07       | 239-43963-05      |
|   | LP Gas Right Side Inner Door Complete              | 239-43963-07         | 239-43963-07         | 239-43963-02      | 239-43963-07       | 239-43963-04      |
| 13  | Nat. Gas Resettable Thermal Switch                 | 239-43676-02         | 239-43676-02         | 239-43676-03      | 239-43676-02       | 239-43676-03      |
|   | LP Gas Resettable Thermal Switch                   | 239-43676-02         | 239-43676-02         | 239-43676-03      | 239-43676-02       | 239-43676-02      |
| 14  | Screw-#6-20 x 3/8 PHCR                             | 239-43967-00         | 239-43967-00         | 239-43967-00      | 239-43967-00       | 239-43967-00      |
| 15  | Outer Door   | 243-43962-00         | 243-43962-00         | 243-43962-00      | 243-43962-00       | 243-43962-00      |
| <b>Natural Gas (BN) Burner Assembly</b>   |  |                      |                      |                   |                    |                   |
| 16  | Nat Gas Burner Assembly Complete***                | 265-47439-07-32      | 265-47439-07-27      | 265-47439-02-36   | 265-47439-07-32    | 265-47439-04-32   |
| 17  | Nat. Gas (BN) Burner**                             | 228-42506-00         | 228-42506-00         | 228-42506-00      | 228-42506-00       | 228-42506-00      |
| 18  | Nat. Gas (BN) Main Burner Orifice**                | 234-41034-32         | 234-41034-27         | 234-41034-36      | 234-41034-32       | 234-41034-32      |
|   | Nat. Gas (BN) High Altitude 2001 Ft. to 5000 Ft.** | 234-41034-36         | 234-41034-29         | 234-41034-39      | 234-41034-36       | 234-41034-36      |
|   | Nat. Gas (BN) High Altitude 5001 Ft. to 8000 Ft.** | 234-41034-38         | 234-41034-30         | 234-41034-41      | 234-41034-38       | 234-41034-36      |
|   | Nat. Gas (BN) High Altitude Over 8000 Ft.**        | 234-41034-38         | 234-41034-31         | 234-41034-43      | 234-41034-38       | 234-41034-38      |
| 19  | Nat. Gas Pilot Assembly**                          | 233-46277-04         | 233-46277-04         | 233-46277-04      | 233-46277-04       | 233-46277-04      |
| 20  | Nat. Gas Pilot Orifice**                           | 234-46502-05         | 234-46502-05         | 234-46502-05      | 234-46502-05       | 234-46502-05      |
| 21  | Thermocouple**                                     | 233-46501-15         | 233-46501-24         | 233-46501-15      | 233-46501-24       | 233-46501-15      |
| <b>LP Gas (SX) Titanium Stabilized Stainless Steel Burner Assembly (Replacement for LP Gas (CX) Cast Iron Burner)</b> |  |                      |                      |                   |                    |                   |
| 22  | LP Gas Burner Assembly Complete***                 | 265-47440-11-50      | 265-47440-12-43      | 265-47440-02-60   | 265-47440-11-50    | 265-47440-05-52   |
| 23  | LP Gas (SX) Burner**                               | 228-46964-00         | 228-47000-00         | 228-46964-00      | 228-46964-00       | 228-46964-00      |
| 24  | LP Gas (SX) Main Burner Orifice**                  | 234-47064-50         | 234-47064-43         | 234-47064-60      | 234-47064-50       | 234-47064-52      |
|   | LP Gas (SX) High Altitude 2001 Ft. to 5000 Ft.**   | 234-47064-51         | 234-47064-46         | 234-47064-54      | 234-47064-51       | 234-47064-53      |
|   | LP Gas (SX) High Altitude 5001 Ft. to 8000 Ft.**   | 234-47064-52         | 234-47064-47         | 234-47064-54      | 234-47064-52       | 234-47064-54      |
|   | LP Gas (SX) High Altitude Over 8000 Ft.**          | 234-47064-53         | 234-47064-47         | 234-47064-54      | 234-47064-53       | 234-47064-54      |
| 25  | LP Gas Pilot Assembly**                            | 233-46278-03         | 233-46278-03         | 233-46278-03      | 233-46278-03       | 233-46278-03      |
| 26  | LP Gas Pilot Orifice**                             | 234-46502-02         | 234-46502-02         | 234-46502-02      | 234-46502-02       | 234-46502-02      |
| 27  | Thermocouple**                                     | 233-46501-15         | 233-46501-24         | 233-46501-15      | 233-46501-24       | 233-46501-15      |
| 28  | ASSE Approved Mixing Valve (Optional)              | 239-43740-01         | 239-43740-01         | 239-43740-01      | 239-43740-01       | 239-43740-01      |
| 29  | 3/4 NPT Plug                                       | 239-11638-00         | 239-11638-00         | - - -             | - - -              | - - -             |
| 30  | Inner Door Gasket Kit                              | 239-44078-00         | 239-44078-00         | 239-44078-00      | 239-44078-00       | 239-44078-00      |
| 31  | Wire Tie   | 239-44328-00         | 239-44328-00         | 239-44328-00      | 239-44328-00       | 239-44328-00      |
| 32  | Heat Trap Insert (Outlet)                          | 239-45167-00         | 239-45167-00         | 239-45167-00      | 239-45167-00       | 239-45167-00      |
| 33  | Heat Trap Insert (Inlet)                           | 239-45073-00         | 239-45073-00         | 239-45073-00      | 239-45073-00       | 239-45073-00      |
| 34  | Kit-Heat Trap Insert                               | 265-45420-00         | 265-45420-00         | 265-45420-00      | 265-45420-00       | 265-45420-00      |
| -   | LP to Natural Gas Conversion Kit (Norm Alt.)       | 265-45712-05         | 265-45712-12         | 265-45712-09      | 265-45712-11       | 265-45712-10      |
| -   | LP to Natural Gas Conversion Kit (High Alt.)       | 265-45712-17         | 265-45712-24         | 265-45712-21      | 265-45712-23       | 265-45712-22      |

\*Applies to all warranties

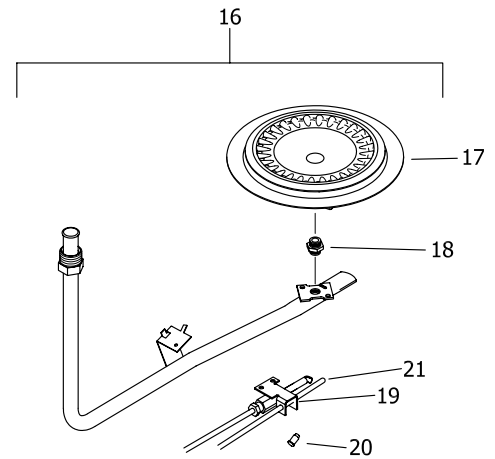
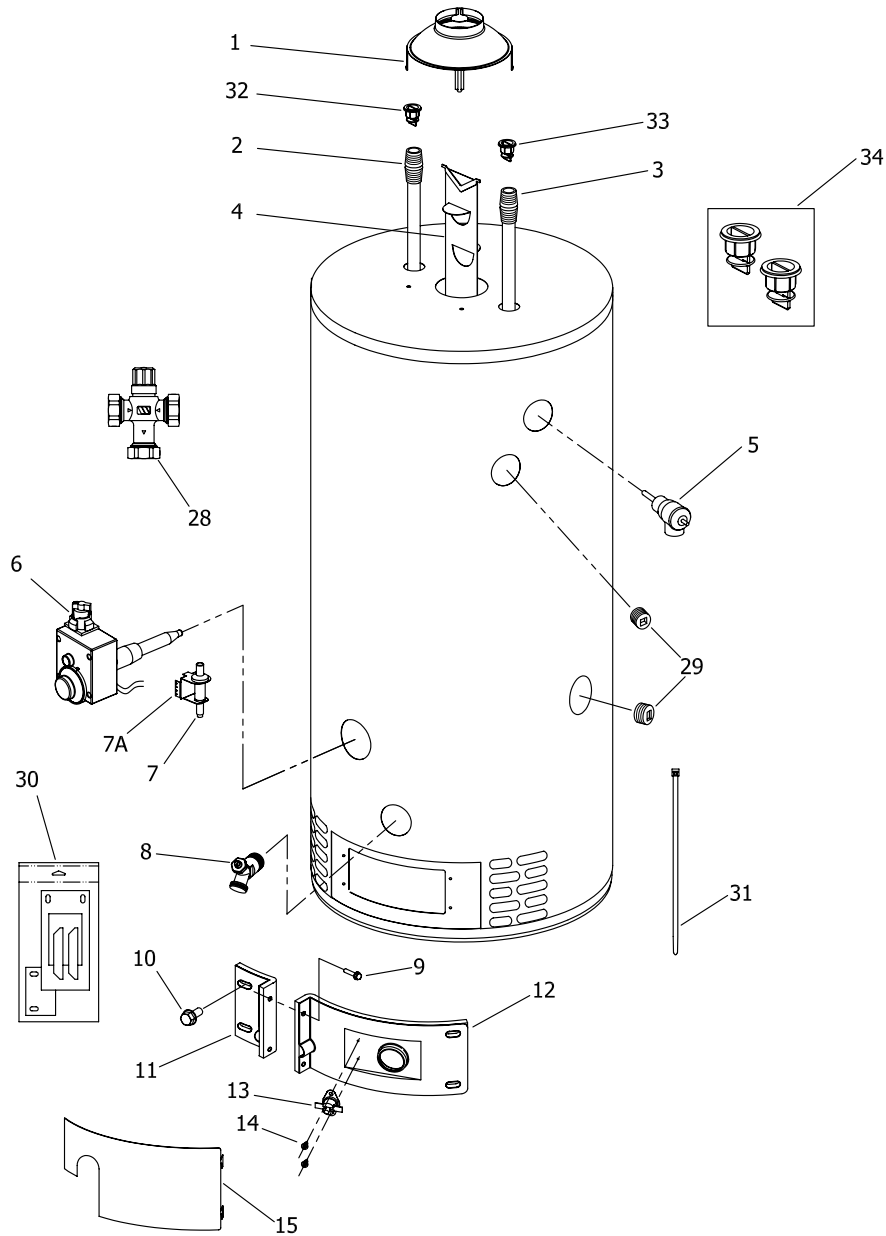
\*\*Inner door gasket kit recommended

\*\*\*Ordering a complete burner assembly may increase delivery time. Please order the specific component required for the quickest delivery.

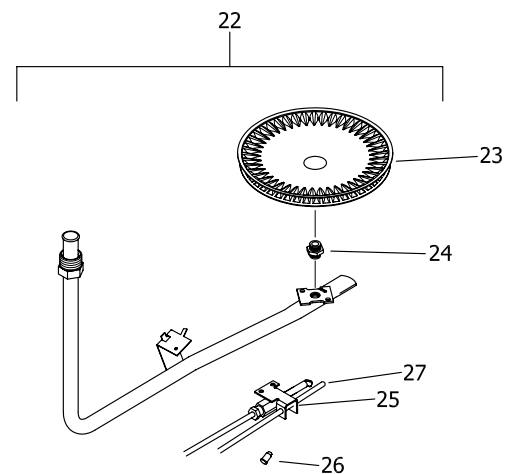
▲ Order with item 32

▲▲ Order with item 33





NATURAL GAS (BN) BURNER ASSEMBLY



LP GAS (SX) BURNER ASSEMBLY

LP GAS (SX) BURNER ASSEMBLY TO REPLACE LP GAS (CX) BURNER ASSEMBLY  
ON ALL MODELS EXCEPT 75 & 100 GAL. MODELS



| Item   | Description  | Model             | Model             | Model               | Model               | Model               |
|--|--|-------------------|-------------------|---------------------|---------------------|---------------------|
|  |  | M4503*F(BN,CX,SX) | M460T*F(BN,CX,SX) | M2XR65T*F(BN,CX,SX) | 50T65F(B,C,S)*(N,X) | 65T65F(B,C,S)*(N,X) |
| 1  | Draft Hood   | 243-45787-00      | 243-45787-00      | 243-33081-02-20     | 243-33081-02-20     | 243-33081-02-20     |
| 2  | Hot Water Outlet Anode Magnesium▲                  | 224-32731-107     | 224-32731-86      | 224-32731-83        | 224-32731-101       | 224-32731-83        |
|  | Hot Water Outlet Aluminum▲                         | 224-32999-21      | 224-32999-30      | 224-32999-06        | 224-32999-21        | 224-32999-06        |
|  | Hot Water Outlet A420 Aluminum▲                    | 224-45147-02      | 224-45147-02      | 224-45147-01        | 224-45147-01        | 224-45147-01        |
| 3  | Cold Water Inlet Dip Tube Polypropylene▲▲          | 229-39625-22      | 229-39625-14      | 229-45398-07        | 229-39625-19        | 229-39625-04        |
|  | Cold Water Inlet Polysulfone (NC Code)▲▲           | 229-39628-21      | 229-39628-14      | 229-45092-04        | 229-39628-19        | 229-39628-04        |
| 4  | Flue Baffle  | 243-44705-00      | 243-42283-00      | 243-46752-00        | 243-41037-00        | 243-46752-00        |
| 5  | T&P Relief Valve                                   | 230-40594-02      | 230-40594-02      | 230-40594-02        | 230-40594-02        | 230-40594-02        |
| 6  | Gas Valve Natural Gas                              | 265-46181-02      | 265-46181-02      | 265-46181-04        | 265-46367-02        | 265-46367-02        |
|  | Gas Valve LP Gas                                   | 265-46182-02      | 265-46182-02      | 265-46182-02        | 265-46368-03        | 265-46368-03        |
| 7  | Piezo Igniter                                      | 239-43448-00      | 239-43448-00      | 239-43448-00        | 239-43448-00        | 239-43448-00        |
| 7A   | Piezo Bracket (White Rodgers)                      | 239-46157-02      | 239-46157-02      | 239-46157-02        | 239-46157-02        | 239-46157-02        |
|  | Piezo Bracket (Robertshaw)                         | 239-43449-00      | 239-43449-00      | 239-43449-00        | 239-43449-00        | 239-43449-00        |
| 8  | Brass Drain Valve                                  | 265-42351-02      | 265-42351-02      | 265-42351-02        | 265-42351-02        | 265-42351-02        |
| 9  | Screw-#8-18 x 3/4 HWH                              | 239-44195-00      | 239-44195-00      | 239-44195-00        | 239-44195-00        | 239-44195-00        |
| 10   | Screw-#10-12 x 3/4 HWH                             | 239-44113-00      | 239-44113-00      | 239-44113-00        | 239-44113-00        | 239-44113-00        |
| 11   | Left Side Inner Door Complete                      | 239-43968-18      | 239-43968-20      | 239-43968-20        | 239-43968-18        | 239-43968-20        |
| 12   | Nat. Gas Right Side Inner Door Complete            | 239-43963-07      | 239-43963-12      | 239-43963-09        | 239-43963-07        | 239-43963-09        |
|  | LP Gas Right Side Inner Door Complete              | 239-43963-07      | 239-43963-13      | 239-43963-12        | 239-43963-07        | 239-43963-12        |
| 13   | Nat. Gas Resettable Thermal Switch                 | 239-43676-02      | 239-43676-02      | 239-43676-01        | 239-43676-02        | 239-43676-01        |
|  | LP Gas Resettable Thermal Switch                   | 239-43676-02      | 239-43676-03      | 239-43676-02        | 239-43676-02        | 239-43676-02        |
| 14   | Screw-#6-20 x 3/8 PHCR                             | 239-43967-00      | 239-43967-00      | 239-43967-00        | 239-43967-00        | 239-43967-00        |
| 15   | Outer Door   | 243-43962-00      | 243-43962-00      | 243-43962-00        | 243-43962-00        | 243-43962-00        |
| <b>Natural Gas (BN) Burner Assembly</b>                                |  |                   |                   |                     |                     |                     |
| 16   | Nat Gas Burner Assembly Complete***                | 265-47439-07-32   | 265-47439-10-32   | 265-47439-10-27     | 265-47439-07-27     | 265-47439-10-27     |
| 17   | Nat. Gas (BN) Burner**                             | 228-42506-00      | 228-42506-00      | 228-42506-00        | 228-42506-00        | 228-42506-00        |
| 18   | Nat. Gas (BN) Main Burner Orifice**                | 234-41034-32      | 234-41034-32      | 234-41034-27        | 234-41034-27        | 234-41034-27        |
|  | Nat. Gas (BN) High Altitude 2001 Ft. to 5000 Ft.** | 234-41034-36      | 234-41034-36      | 234-41034-29        | 234-41034-29        | 234-41034-29        |
|  | Nat. Gas (BN) High Altitude 5001 Ft. to 8000 Ft.** | 234-41034-38      | 234-41034-38      | 234-41034-30        | 234-41034-30        | 234-41034-30        |
|  | Nat. Gas (BN) High Altitude Over 8000 Ft.**        | 234-41034-38      | 234-41034-38      | 234-41034-31        | 234-41034-31        | 234-41034-31        |
| 19   | Nat. Gas Pilot Assembly**                          | 233-46277-04      | 233-46277-04      | 233-46277-04        | 233-46277-04        | 233-46277-04        |
| 20   | Nat. Gas Pilot Orifice**                           | 234-46502-05      | 234-46502-05      | 234-46502-05        | 234-46502-05        | 234-46502-05        |
| 21   | Thermocouple**                                     | 233-46501-24      | 233-46501-24      | 233-46501-24        | 233-46501-24        | 233-46501-24        |
| <b>LP Gas (SX) Titanium Stabilized Stainless Steel Burner Assembly</b> |  |                   |                   |                     |                     |                     |
| <b>(Replacement for LP Gas (CX) Cast Iron Burner)</b>                  |  |                   |                   |                     |                     |                     |
| 22   | LP Gas Burner Assembly Complete***                 | 265-47440-11-51   | 265-47440-17-50   | 265-47440-18-43     | 265-47440-12-43     | 265-47440-18-43     |
| 23   | LP Gas (SX) Burner**                               | 228-46964-00      | 228-46964-00      | 228-47000-00        | 228-47000-00        | 228-47000-00        |
| 24   | LP Gas (SX) Main Burner Orifice**                  | 234-47064-51      | 234-47064-50      | 234-47064-43        | 234-47064-43        | 234-47064-43        |
|  | LP Gas (SX) High Altitude 2001 Ft. to 5000 Ft.**   | 234-47064-53      | 234-47064-51      | 234-47064-46        | 234-47064-46        | 234-47064-46        |
|  | LP Gas (SX) High Altitude 5001 Ft. to 8000 Ft.**   | 234-47064-53      | 234-47064-52      | 234-47064-47        | 234-47064-47        | 234-47064-47        |
|  | LP Gas (SX) High Altitude Over 8000 Ft.**          | 234-47064-54      | 234-47064-54      | 234-47064-47        | 234-47064-47        | 234-47064-47        |
| 25   | LP Gas Pilot Assembly**                            | 233-46278-03      | 233-46278-03      | 233-46278-03        | 233-46278-03        | 233-46278-03        |
| 26   | LP Gas Pilot Orifice**                             | 234-46502-02      | 234-46502-02      | 234-46502-02        | 234-46502-02        | 234-46502-02        |
| 27   | Thermocouple**                                     | 233-46501-24      | 233-46501-24      | 233-46501-24        | 233-46501-24        | 233-46501-24        |
| 28   | ASSE Approved Mixing Valve (Optional)              | 239-43740-01      | 239-43740-01      | 239-43740-01        | 239-43740-01        | 239-43740-01        |
| 29   | 3/4 NPT Plug                                       | - - -             | - - -             | 239-11638-00        | 239-11638-00        | 239-11638-00        |
| 30   | Inner Door Gasket Kit                              | 239-44078-00      | 239-44078-00      | 239-44078-00        | 239-44078-00        | 239-44078-00        |
| 31   | Wire Tie   | 239-44328-00      | 239-44328-00      | 239-44328-00        | 239-44328-00        | 239-44328-00        |
| 32   | Heat Trap Insert (Outlet)                          | 239-45167-00      | 239-45167-00      | 239-45167-00        | 239-45167-00        | 239-45167-00        |
| 33   | Heat Trap Insert (Inlet)                           | 239-45073-00      | 239-45073-00      | 239-45073-00        | 239-45073-00        | 239-45073-00        |
| 34   | Kit-Heat Trap Insert                               | 265-45420-00      | 265-45420-00      | 265-45420-00        | 265-45420-00        | 265-45420-00        |
| -  | LP to Natural Gas Conversion Kit (Norm Alt.)       | 265-45712-11      | 265-45712-29      | 265-45712-47        | 265-45712-25        | 265-45712-48        |
| -  | LP to Natural Gas Conversion Kit (High Alt.)       | 265-45712-23      | 265-45712-30      | 265-45712-49        | 265-45712-26        | 265-45712-50        |

\*Applies to all warranties

\*\*Inner door gasket kit recommended

\*\*\*Ordering a complete burner assembly may increase delivery time. Please order the specific component required for the quickest delivery.

▲ Order with item 32

▲▲ Order with item 33







# **BRADFORD WHITE®**

W A T E R H E A T E R S

Ambler, PA

For U.S. and Canada field service,  
contact your professional installer or  
local Bradford White sales representative.

**Sales/800-523-2931**  
**Fax/215-641-1670**  
**Parts Fax/215-641-2180**

**Technical Support/800-334-3393**  
**Fax/269-795-1089**

**Warranty/800-531-2111**  
**Fax/269-795-1089**

**International:**  
**Telephone/215-641-9400**  
**Telefax/215-641-9750**



# **BRADFORD WHITE-CANADA® INC.**

Mississauga, ON

**Sales/866-690-0961**  
**905-238-0100**

**Fax/905-238-0105**

**Technical Support/800-334-3393**

**Email**

**parts@bradfordwhite.com**  
**techserv@bradfordwhite.com**

**www.bradfordwhite.com**