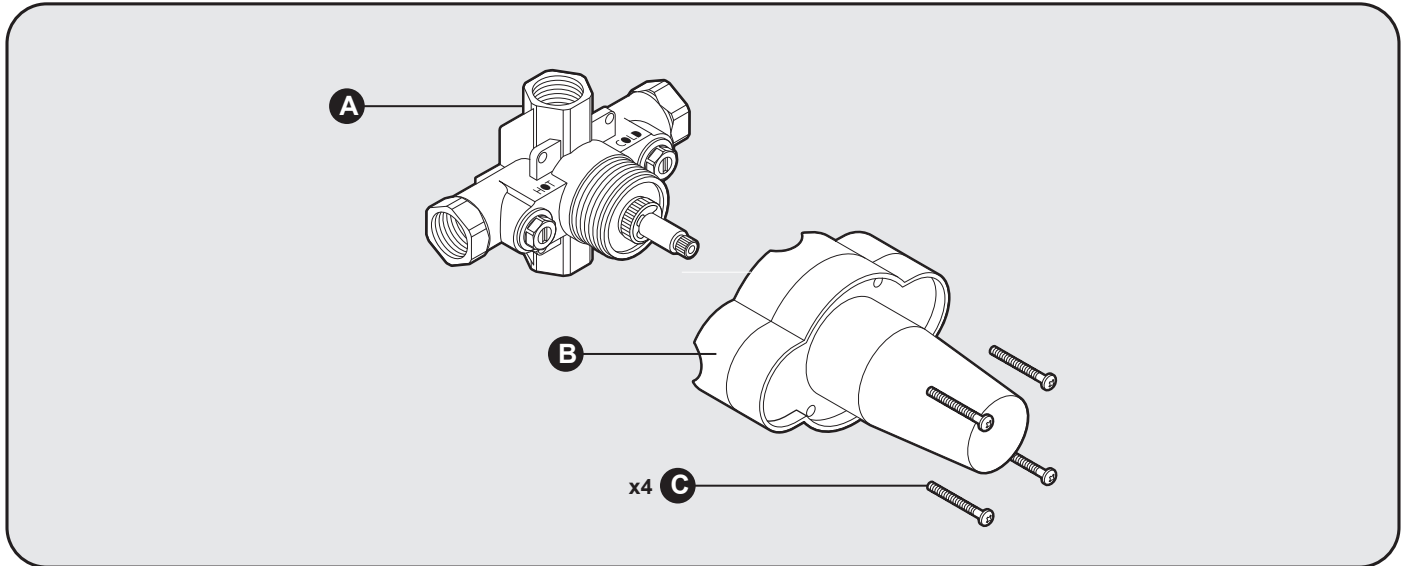


INCLUDES:



RECOMMENDED TOOLS:

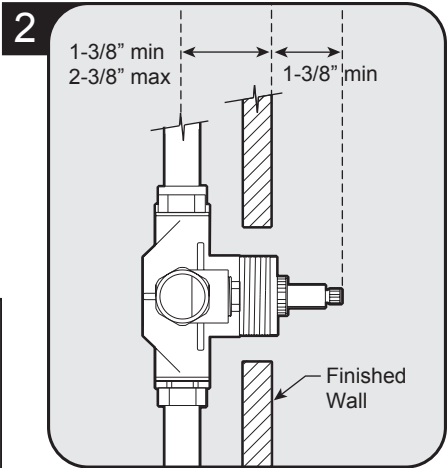
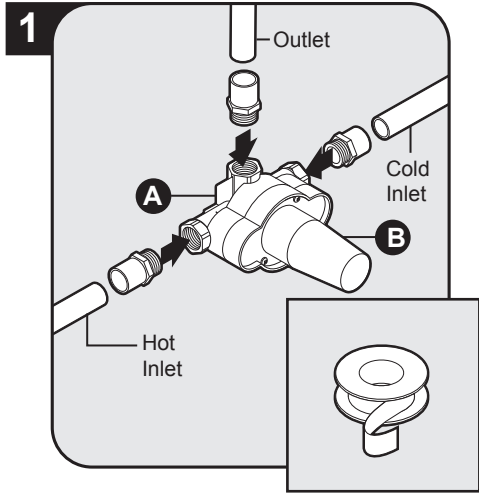


SAVE FOR CONSUMER

WARNING: Please carefully read and properly follow the instructions for installation found in this manual.

STEPS:

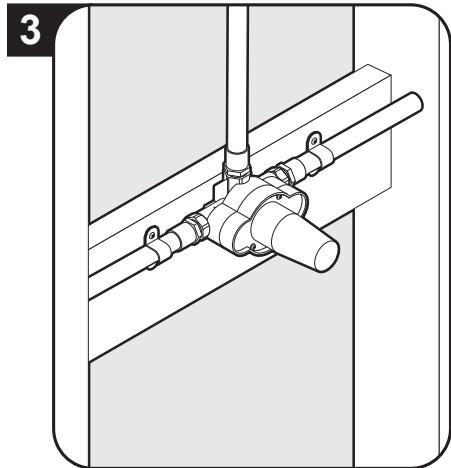
Valve is stamped with "HOT" and "COLD" on the top of the "C" and "F" on bottom. Valve is designed with two outlets, but are not intended to be used simultaneously. Determine which outlet will be used and plug the other with 3/4" plug provided.



Note: If valve is installed upside down, a reverse cartridge is available but will cut flow up to 66%.

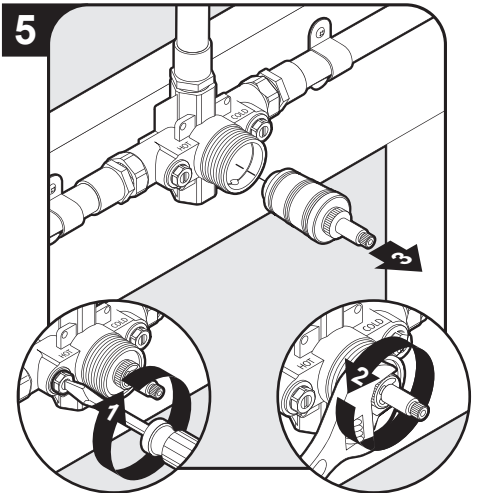
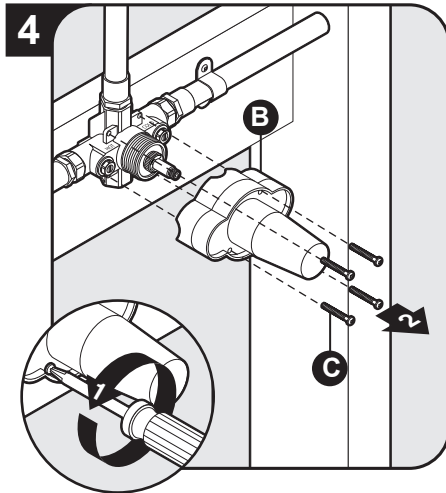
Connect hot and cold using 1/2" copper adapters and lines.

Note: Supply lines not included. DO NOT apply heat directly to valve bodies.

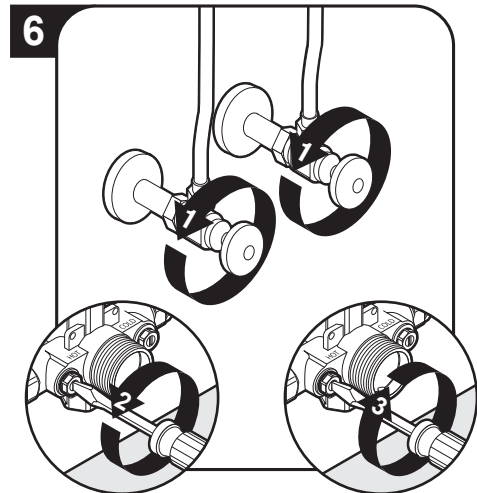


Install crossbeam and secure with hardware (not included).

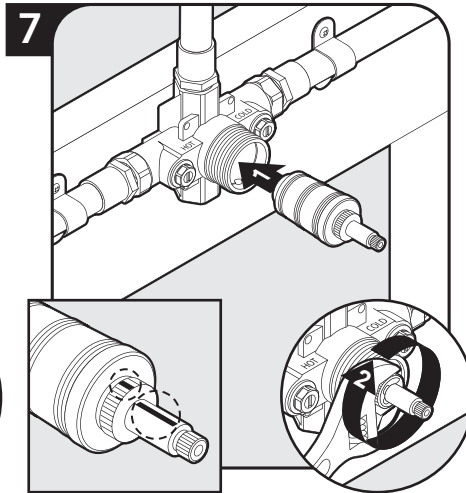
Note: Connect port to a volume control valve (purchased separately).



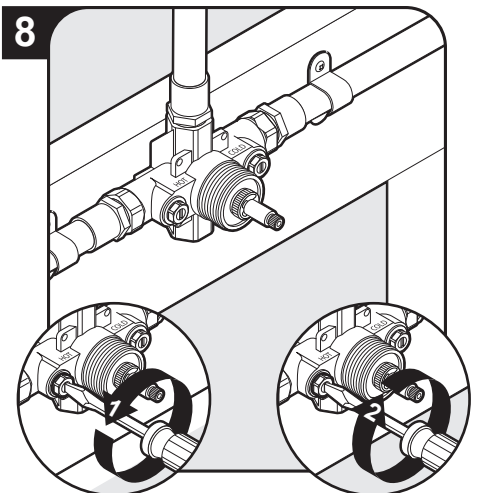
Close integral stops and remove cartridge.



Turn on water supply and open integral stops to flush lines. Turn off integral stops.



Note: Make sure black alignment marks on cartridge line up with marks on stem and are on top of the cartridge.



Open integral stops to flush lines to volume control. Turn off integral stops. Replace Plaster tile guide B.

WARRANTY

PHYLIRICH LIMITED LIFETIME WARRANTY

Phylrich warrants that all parts and finishes of the Phylrich product are free from defects in materials and workmanship for the life of the product, if purchased after 1996. This warranty extends to the original consumer purchaser of the product only.

If the product should leak or drip during normal use, Phylrich will provide, free of charge, a replacement cartridge. For other defects in material or workmanship, Phylrich will, at its option, supply replacement parts (or if no longer available a comparable product). Phylrich reserves the right to examine product in question and its installation prior to replacement.

What is not covered:

1. Damage caused by accident, negligence, misuse, abuse, improper installation or operation or failure to follow care or installation instructions enclosed with your product.
2. Damage occurring during shipment of the product (claims must be presented to the carrier).
3. Normal wear and tear.
4. Labor charges, costs of removal and reinstallation, and any damages to other property.
5. All industrial, commercial and business use whose purchasers are hereby extended a limited lifetime on mechanical parts and 5 years on finish.

What you must do to obtain warranty service:

Either write to Phylrich, attention Customer Care, 2222 Camden Court, Oak Brook, IL 60523 or call 1-800-PHYLRICH (749-5742).

Please provide date of purchase and installation, description of nature of the defect, and model number or description of model and/or component part.

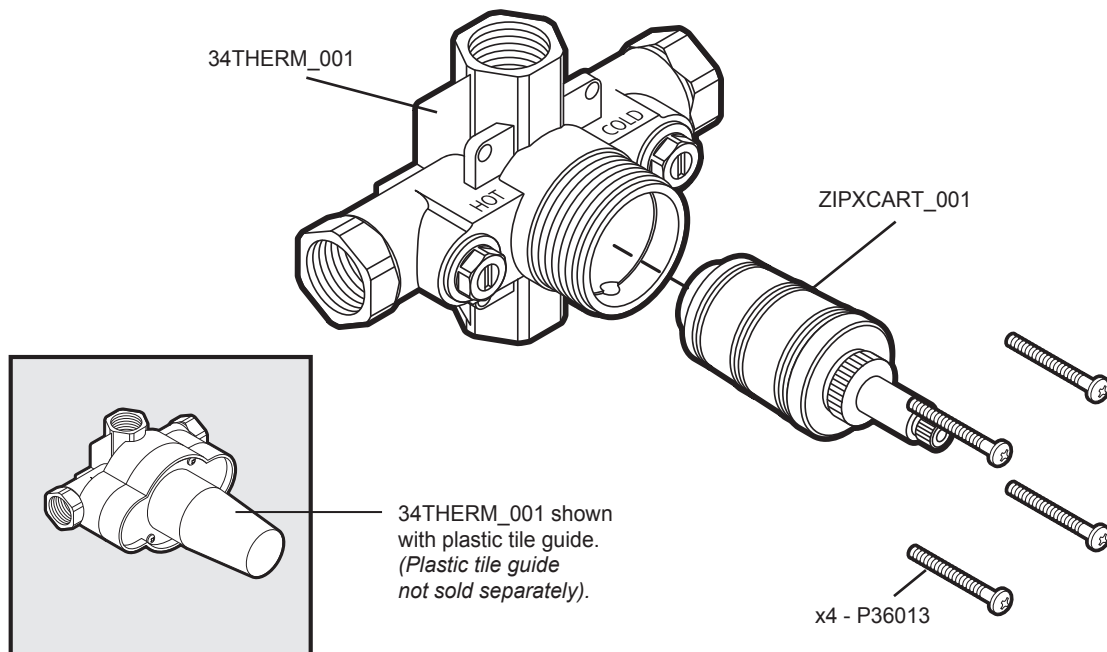
THIS LIMITED WARRANTY IS EXPRESSLY IN LIEU OF ANY OTHER WARRANTIES, EXPRESSED IMPLIED, ARISING BY LAW OR OTHERWISE, INCLUDING WITHOUT LIMITATION, ANY IMPLIED WARRANTY OF MERCHANTABILITY OR FITNESS FOR A PARTICULAR PURPOSE. THIS LIMITED WARRANTY MAY NOT BE ALTERED, VARIED, OR EXTENDED, EXCEPT BY A WRITTEN INSTRUMENT EXECUTED BY PHYLIRICH.

THE REMEDY OF REPAIR OR REPLACEMENT AS PROVIDED UNDER THIS LIMITED WARRANTY IS EXCLUSIVE. IN NO EVENT SHALL THE MANUFACTURER BE LIABLE FOR ANY CONSEQUENTIAL OR INCIDENTAL DAMAGES TO ANY PERSON, WHETHER OR NOT OCCASIONED BY NEGLIGENCE OF PHYLIRICH, INCLUDING WITHOUT LIMITATION DAMAGES FOR LOSS OF USE, COSTS PROPERTY DAMAGE OR OTHER MONETARY LOSS.

Some states do not allow the exclusion or limitation of incidental or consequential damages or limitations on how long an implied warranty lasts, so the above limitations or exclusions may not apply. This warranty gives you specific legal rights and you may also have other rights which vary from state to state.

This warranty covers product installed in the United States and Canada.

REPLACEMENT PARTS



NOTE: * - REQUIRES FINISH DESIGNATION