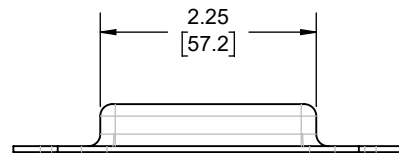
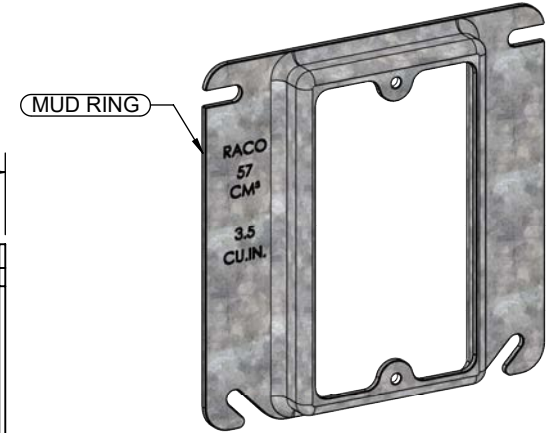
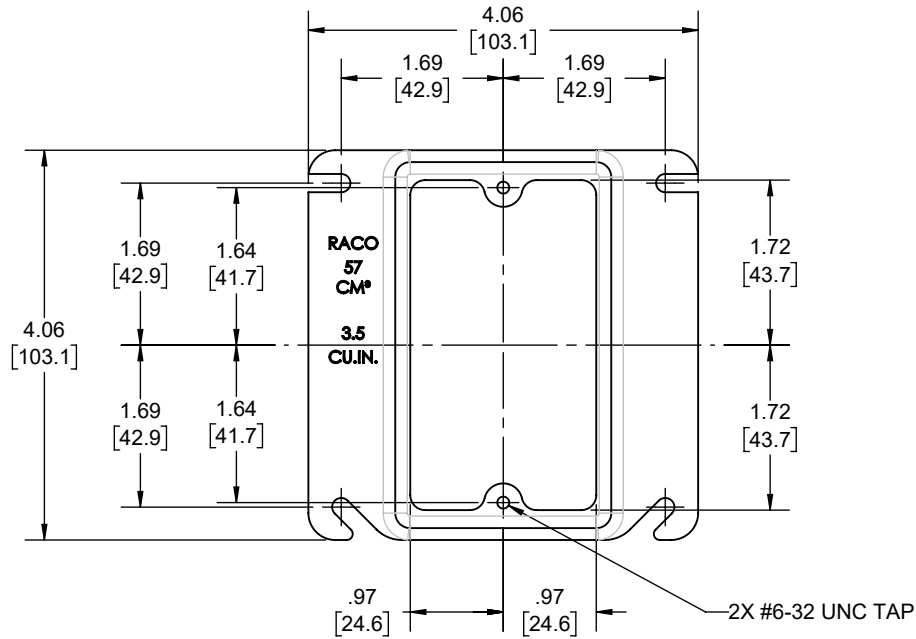


REVISIONS			
REV.	DATE	DESCRIPTION	BY
-	02-14-22	INITIAL RELEASE	RMV



- NOTES:
1. ALL DIMENSIONS ARE IN INCHES AND [MILLIMETERS]
  2. BOX VOLUME: 3.5 IN<sup>3</sup> [57 CM<sup>3</sup>]
  3. cULus LISTED

MUD RING	STEEL	GALVANIZED
DESCRIPTION	MATERIAL	FINISH

**LIST OF PARTS**

THE DESIGN AND DIMENSIONS OF THE PRODUCT SHOWN ON THIS DRAWING ARE SUBJECT TO CHANGE WITHOUT NOTICE

TITLE:

**4" SQ. MUD RING, SINGLE DEVICE, RAISED 1/2"**

TOLERANCE UNLESS OTHERWISE SPECIFIED

.XX DECIMAL ± .015  
.XXX DECIMAL ± .005  
ANGLE ± 2°



DRAWN BY:	RMV	SCALE:	SIZE:
APP. BY:	N.S.	1:2	A
DATE:	02-14-22		