

FG Series

Inline Centrifugal Fans

The company that invented the circular duct fan more than thirty years ago, now introduces new improved inline fans that are virtually airtight.

New production processes eliminate manufacturing variances to ensure tight tolerances for optimal performance of every fan.

Galvanized steel housings meet code requirements for both residential and commercial applications. High quality ebm-papst motors ensure long life and dependable performance.

Simplified Installation

The FG Series features new longer duct connections for easier installation. Fans are prewired and include bracket for mounting to wall or ceiling.

Straight-through airflow allows fans to be installed at any angle at any point along the ductwork.

We've set a new standard for:

- Performance
- Efficiency
- Reliability
- Air Tightness
- Ease of Installation

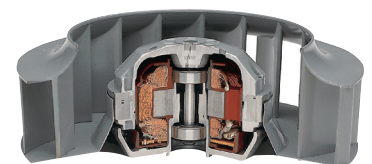
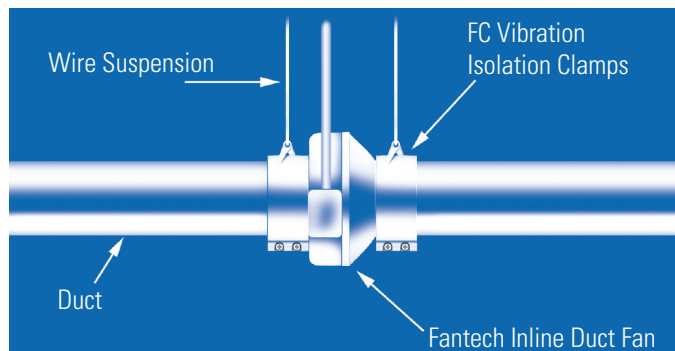
Features and Benefits

- 135 to 940 CFM
- 4" to 12" (102 to 305 mm) duct diameter
- Airtight galvanized steel housing – perfect for commercial code applications
- Powered by ebm-PAPST external rotor motorized impeller for excellent heat dissipation, even at low RPM
- Permanently lubricated sealed ball bearings for maintenance-free operation
- Automatic reset thermal overload protection
- Suitable for airstream temperatures up to 140° F (60° C)
- 100% speed controllable
- Rated for outdoor use
- UL Listed
- 5 year warranty




Fantech, Inc. certifies that the models shown herein are licensed to bear the AMCA Seal. The ratings are based on tests and procedures performed in accordance with AMCA Publication 211 and comply with the requirements of the AMCA Certified Ratings Program.

Applications



Also Available: FGC Series
Same fans prewired with six foot cord and plug

Specification Data

Model		Rated power	Voltage / phase	Max amps	RPM	0.0" P _s	0.2" P _s	0.4" P _s	0.6" P _s	0.8" P _s	1.0" P _s	1.5" P _s	Max P _s	Shipping weight	
		W	V / ~	A	min ⁻¹	cfm							in.wg	lbs	kg
FG 4	•	20	120/1	0.19	3000	135	110	83	55	25	-	-	0.94	7	3
FG 4XL		71	120/1	0.66	2700	170	150	134	119	103	86	40	1.98	8	4
FG 5	•	20	120/1	0.19	3000	156	130	99	66	33	-	-	0.99	7	3
FG 5XL		73	120/1	0.68	2700	220	190	160	135	112	91	41	1.89	8	4
FG 6	•	72	120/1	0.58	2700	303	287	270	232	196	164	58	1.88	10	5
FG 6M		120	120/1	1.02	2350	418	370	317	268	224	186	101	2.10	12	5
FG 6XL		153	120/1	1.48	2900	483	450	409	369	329	289	201	2.41	12	5
FG 8		119	120/1	1.14	2550	461	410	351	295	243	191	97	2.11	12	5
FG 8XL		142	120/1	1.45	2950	502	470	428	388	351	313	218	2.40	13	6
FG 10		138	120/1	1.43	3000	513	480	444	407	366	324	216	2.36	12	5
FG 10XL		196	120/1	1.96	3100	589	560	531	503	472	441	355	3.02	14	6
FG 12		181	120/1	1.87	2600	741	680	601	515	434	363	236	2.99	18	7
FG 12XL		301	120/1	3.01	2900	940	880	819	746	670	596	425	2.74	21	10

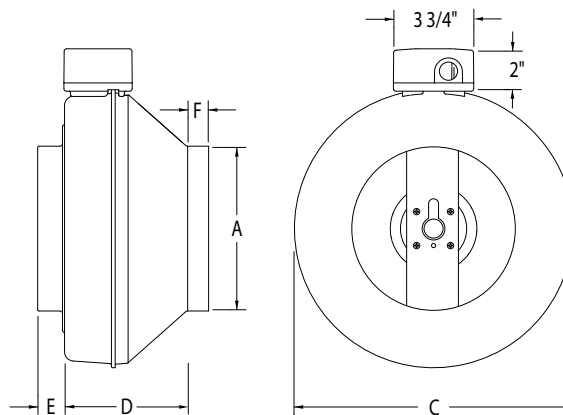
Performance shown is for installation type D - Duct inlet, Ducted outlet. Speed (RPM) shown is nominal. Performance is based on actual speed of test. Performance ratings do not include the effects of appurtenances (accessories).

Dimensions

Model	A	C	D	E	F
FG 4	4 (102)	8 1/2 (216)	6 1/2 (165)	1 (25)	1 (25)
FG 4XL	4 (102)	9 3/4 (248)	6 15/16 (176)	1 (25)	1 (25)
FG 5	5 (127)	8 5/8 (219)	6 1/2 (165)	1 (25)	1 (25)
FG 5XL	5 (127)	9 3/4 (248)	6 (152)	1 1/8 (29)	1 1/8 (29)
FG 6	6 (152)	11 3/8 (289)	6 1/4 (159)	1 (25)	7/8 (22)
FG 6XL / FG 6M	6 (152)	13 1/8 (333)	7 (178)	1 (25)	1 (25)
FG 8	8 (203)	13 1/4 (337)	6 (152)	1 (25)	1 (25)
FG 8XL	8 (203)	13 1/4 (337)	6 (152)	1 1/8 (29)	1 (25)
FG 10	10 (254)	13 1/4 (337)	4 3/4 (121)	1 1/8 (29)	1 (25)
FG 10XL	10 (254)	13 1/4 (337)	4 13/16 (122)	1 1/4 (32)	1 (25)
FG 12	12 (305)	16 (406)	6 11/16 (170)	1 1/4 (32)	1 (25)
FG 12XL	12 (305)	16 (406)	6 11/16 (170)	1 1/2 (38)	1 (25)

All dimensions in inches (mm).

†Duct connection is 1/8" smaller than duct size.



Accessories



FC
Mounting Clamps



WC 15
Speed Control



FLD 60
Light/Fan switch



FD 60EM
Electronic Timer



SCD
Speed Control



FTD 7
7 Day Timer

Customer Support:

Canada 800.565.3548 • CANADAsupport@fantech.net • www.fantech.net

Fantech reserves the right to modify, at any time and without notice, any or all of its products' features, designs, components and specifications to maintain their technological leadership position.