

ON-GRADE ADJUSTABLE FLOOR DRAIN

832 series

Finish Line™

SPECIFICATION

Sioux Chief 832 series Finish Line adjustable on-grade floor drain shall be used where necessary in drainage systems. Floor drain shall allow adjustment of 1.25" before the concrete pour, and 1.25" after the concrete pour. Floor drain shall have a push-joint or no-hub connection. Strainer shall meet applicable load requirements for intended use. Trap primer port shall be threaded 1/2" FIP and plugged for optional connection.

MATERIALS

- ring/strainer: nickel-bronze, 304 stainless steel, ductile iron
- head adapter: ductile iron
- coring sleeve: ductile iron
- coring plug: high impact polymer
- base adapter: ductile iron

STRAINER LOAD RATING

- nickel-bronze: 1,000 lbs. (light duty, pedestrian traffic - heel-proof)
- stainless steel: 2,000 lbs. (light duty, pedestrian traffic - heel-proof)
- ductile iron: 5,000 lbs. (heavy duty)

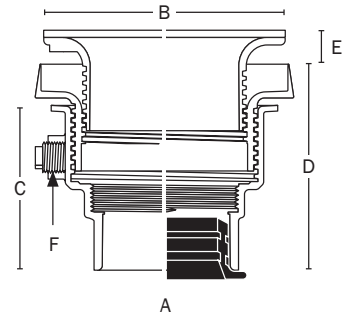
STRAINER FREE-AREA

- round nickel/stainless: 11.75 in²
- square nickel/stainless: 16.4 in²
- ductile iron: 13.25 in²

DIMENSIONS

- A: connection size 3" or 4"
- B: ring/strainer diameter
 - round 6 1/2"
 - square 7"
- C: adapter height
 - no-hub 4 1/2"
 - push-joint 4 7/8"
- D: pre-pour adjustable height
 - no-hub 5 3/8" - 6 5/8"
 - push-joint 5 3/4" - 7"
- E: post-pour adjustable height
 - round 0" - 1 1/4"
 - square 5/16" - 1 1/4"
- F: trap primer port 1/2" FIP thread, plugged

Item # Submitted _____
Job Name _____
Location _____
Engineer _____
Contractor _____
PO# _____ TAG _____



Models 832-3DiR, 832-3DNQ, and 832-3DNR are UPC listed.

Create Item Number

832-ABC

e.g. 832-3DNR = Finish Line drain with 3" no-hub connection with nickel-bronze ring and strainer

A CONNECTION SIZE

- 3D 3" no-hub
- 63D 3" push-joint
- 4D 4" no-hub
- 64D 4" push-joint

B RING & STRAINER

- iR round ductile iron
- NR round nickel-bronze
- NQ square nickel-bronze
- SR round stainless steel
- SQ square stainless steel

C OPTIONS FACTORY INSTALLED

- V vandal-resistant strainer screws
- E 1 3/8" extended strainer rim ¹
- H hinged strainer ²
- B complies with Buy American Act ¹

¹ Available only on round pattern nickel-bronze ring & strainer.
² Not available in ductile iron.

ACCESSORIES

- 832-UM stainless steel debris bucket
- 832-S4 shim kit
- 863-FN nickel-bronze condensate funnel
- 863-FA aluminum condensate funnel
- 863-FNO oval nickel-bronze condensate funnel
- 832-EX4 ductile iron extension nipple
- 832-W locating bristle kit