



TI-P017-02
 ST Issue 9

AE36 and AE36A Automatic Air Eliminators/ Air Vents for Liquid Systems

Description

The AE36 range of automatic air eliminators/air vents is designed for use on hot and cold water installations. The body and cap are of austenitic stainless steel type 316L. It is available as a standard air vent designated AE36, with check valve the designation becomes AE36A.

Standards

This product fully complies with the requirements of the European Pressure Equipment Directive 97/23/EC.

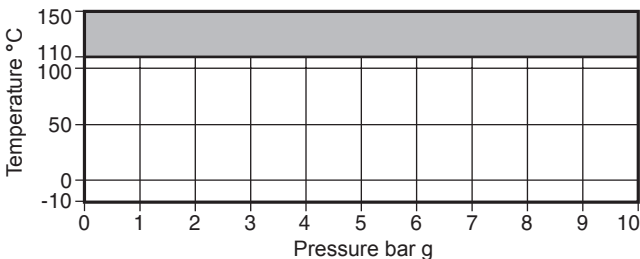
Certification

This product is available with Manufacturers' Typical Test Report. Note: All certification/inspection requirements must be stated at the time of order placement.

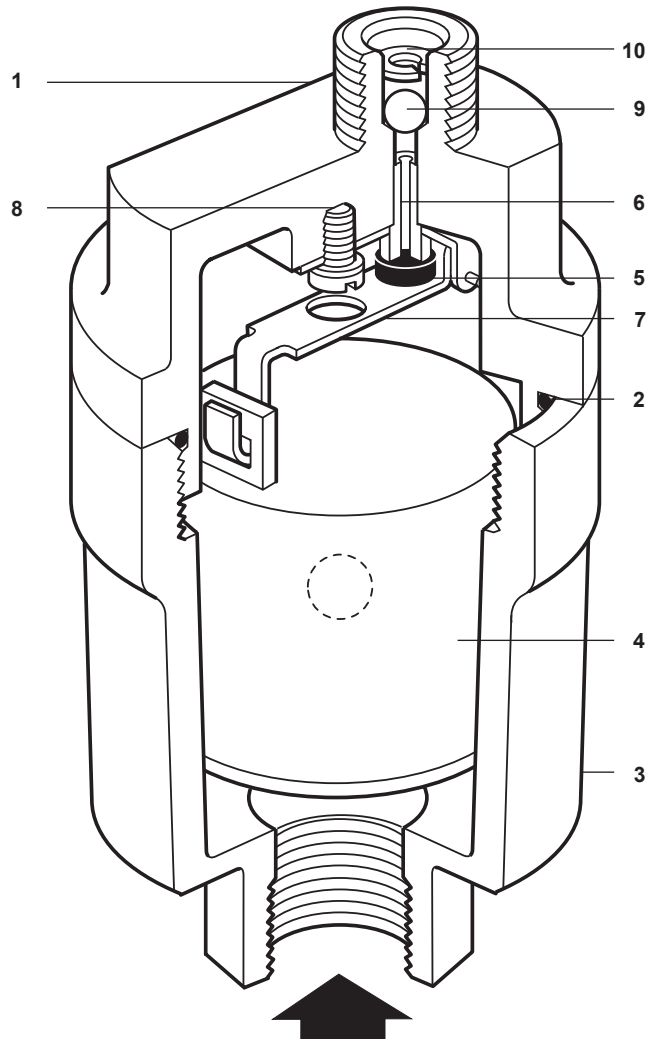
Sizes and pipe connections

Inlet	½" female	BSP or NPT
Outlet	¼" male	BSP or NPT

Pressure/temperature limits



Body design conditions	PN10	
PMA	Maximum allowable pressure	10 bar g @ 150°C
TMA	Maximum allowable temperature	150°C @ 10 bar g
	Minimum allowable temperature	-10°C
PMO	Maximum operating pressure	10 bar g @ 110°C
TMO	Maximum operating temperature	110°C @ 10 bar g
	Minimum operating temperature	-10°C
ΔPMX	Maximum differential pressure	8 bar g
Designed for a maximum cold hydraulic test pressure of 15 bar g		
	Minimum specific gravity of liquid	0.926



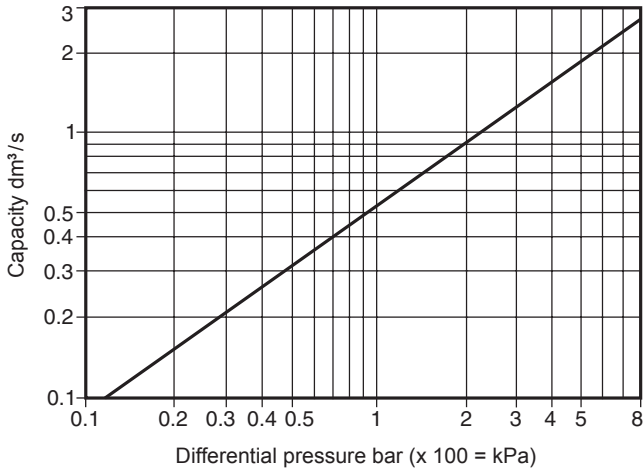
Materials

No.	Description	Material
1	Cap	Austenitic stainless steel type 316L ASTM A351 CF3M
2	Cap 'O' ring	Green Viton 75
3	Body	Austenitic stainless steel type 316L ASTM A351 CF3M
4	Float	Acetal co hostaform/stainless steel
5	Valve head	EPDM
6	Valve seat	Stainless steel BS 970 431 S29
7	Bracket/lever assembly	Stainless steel BS 1449 304 S11
8	Screw	Stainless steel BS 4183 18/8
9	Check valve ball (AE36A only)	Stainless steel AISI 440 B
10	Circlip	Stainless steel BS 970 302 S25

First for Steam Solutions

Free discharge capacity

For air at 16°C



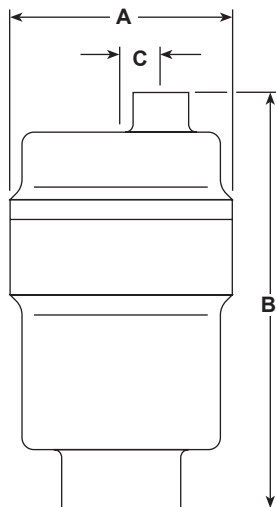
If the temperature of the air differs from 16°C, the discharge capacity from the graph can be corrected by multiplying it by the following equation:

$$\frac{289}{273 + T} \quad (T \text{ is the actual temperature in } ^\circ\text{C})$$

It may be assumed that the temperature of the air is equal to the temperature of the water.

Dimensions / weight (approximate) in mm and kg

Version	A	B	C	Weight
AE36	56	105	10	0.7
AE36A	56	105	10	0.7



Spare parts

The spare parts available are shown in solid outline. Parts drawn in broken line are not supplied as spares.

Available spares

Maintenance kit comprising: **2, 4, 5, 9, 10**
Valve cone, float, cap 'O' ring, check valve ball and check valve circlip

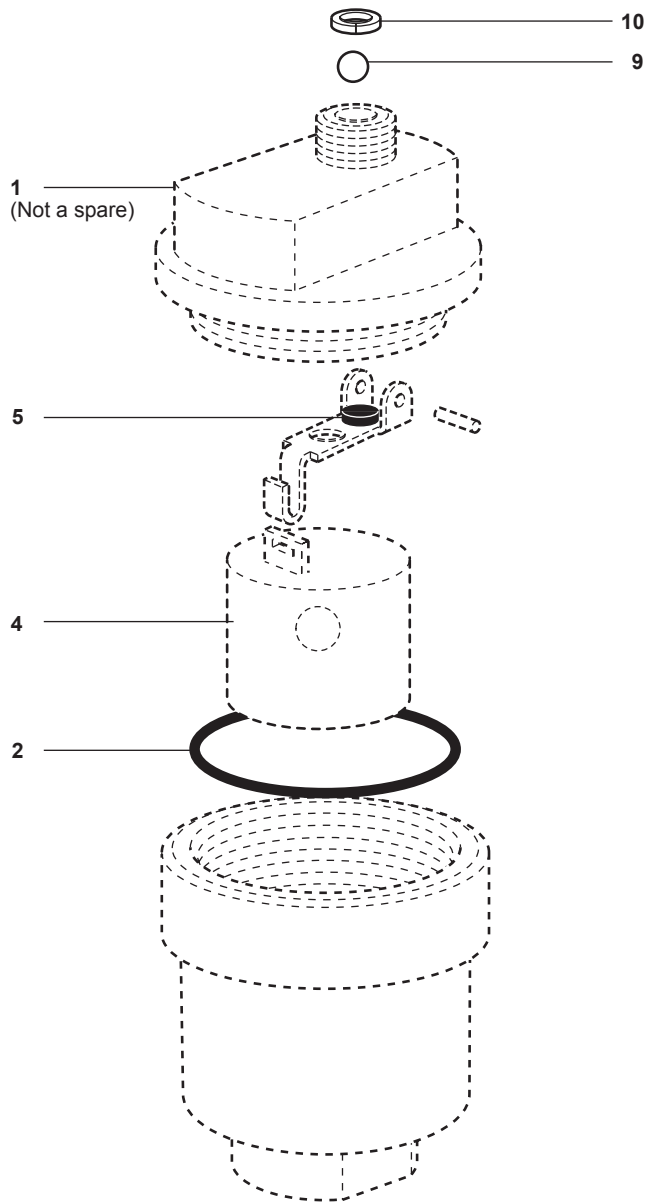
Important note

If you have earlier versions of the AE36 designated AE36CV which operate over the range 3 - 8 bar then the spares set for the AE36A can not be used. The earlier spares set should be used.

How to order spares

Always order spares by using the description given in the column headed 'Available spares' and state the size and type of automatic air eliminator/air vent.

Example: 1 - Maintenance kit for a Spirax Sarco 1/2" AE36A automatic air eliminator / air vent with check valve.



Safety information, installation and maintenance

For full details see the Installation and Maintenance Instructions (IM-P017-03) supplied with the product.

Installation note:

The automatic air eliminator/air vent should be installed vertically with the inlet at the bottom. We recommend piping the discharge from the air eliminator/air vent to a suitable drain point.

How to order

Example: 1 off Spirax Sarco 1/2" AE36A automatic air eliminator/air vent with check valve having screwed BSP connections.

Recommended tightening torques

Item	or	mm	N m
1	30		10 - 12
8	Cheesehead	M4 x 6	2.5 - 2.8