

## 39" Built-in Electric Firebox

BF39STP

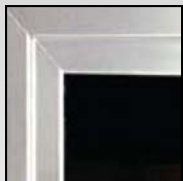
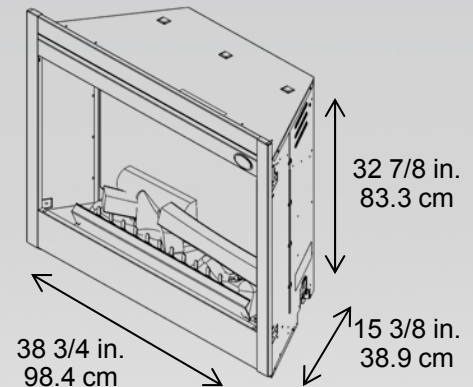
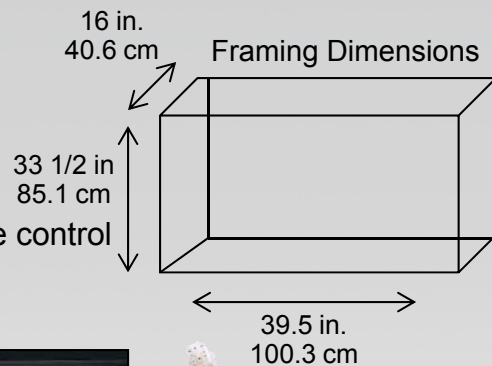
### Product Description

- Patented electric flame technology
- Built-in Purifire® air treatment system
- Operates with flame only or with flame and heat
- Smooth edges allow for flush mounting to drywall/tile or for installation into a finished wall cavity
- Built-in manual switches – main on/off, heater on/off
- Unit may be wired with separate wall switches (not included) to control flame, Purifire and heater operation
- Optional wall thermostat to control the heater.
- Dual 120 or 240/208 voltage compatible
- 120 Volts / 1,440 Watts / 4,915 BTU
- 208 Volts / 2,100 Watts / 7,170 BTU
- 240 Volts / 2,700 Watts / 9,220 BTU



### Accessories

- TS521W – Wall thermostat
- BFPLUGE – 120 volt plug kit
- BFRC-KIT – Remote control kit
- WRCPF-KIT – Wall switch remote control



BF4TRIM39SS



BF4TRIM39



BFDOOR39BLKSM



BFRC-KIT

Model #	Description	lbs/kg	UPC	Wty. †	Carton Dimensions (W x H x D)		Cube	
					Inches	cm	ft <sup>3</sup>	m <sup>3</sup>
BF39STP	39" built-in electric firebox	87 / 39.5	781052 045798	2 yr.	17.5 x 34.5 x 39	44.5 x 87.6 x 99.1	13.6	0.39
BFGLOSS39BLK	Single pane, tamperproof glass door	17.5 / 8	781052 044630	1 yr.	38.3 x 24.8 x 3.3	97.3 x 63 x 8.4	1.8	0.05
BFSDOOR39BLK	Glass swing doors with black accents	17.0 / 7.7	781052 044609	1 yr.	19 x 3.3 x 24	48.3 x 8.3 x 61	0.9	0.02
BFDOOR39BLKSM	Single pane, bi-fold look glass door kit	18 / 8.2	781052 041257	1 yr.	24.8 x 3.3 x 38.3	62.9 x 8.4 x 97.2	1.8	0.05
BF4TRIM39	4 pc. Black decorative raised profile trim	6 / 2.7	781052 052956	1 yr.	43 x 4.3 x 2.5	109.2 x 10.8 x 6.4	0.3	0.01
BF4TRIM39SS	4 pc. Stainless steel decorative raised profile trim	6 / 2.7	781052 052963	1 yr.	43 x 4.3 x 2.5	109.2 x 10.8 x 6.4	0.3	0.01

Patent protected: for a complete list of applicable patents visit: [www.dimplex.com/patents](http://www.dimplex.com/patents). Specifications, finishes and dimensions are subject to change and should be taken as a guide only.

\* Based on average national residential electricity rates. Rates vary. † Limited warranty.

© 2011 Dimplex North America Limited.