

DIVERTER

Flow Control Valve 3-Port

1-617



Features

- Solid brass construction
- 2 or 3 way diverter configuration
- Universal 1/2" NPT and direct sweat connections for installation flexibility
- 12.5 gpm (gallons per minute) flow rate (@ 40 psi)
- 18-tooth stem with 16-tooth adapter included
- Requires Newport Brass Handle Trim (many options available, sold-separately)



Codes / Standards Compliance

Meets or exceeds the following at date of manufacture:

- ASME A112.18.1/CSA B125.1
- IAPMO/Cupc
- IPC
- ASSE 1016
- All applicable US Federal and State material regulations

Specified Model

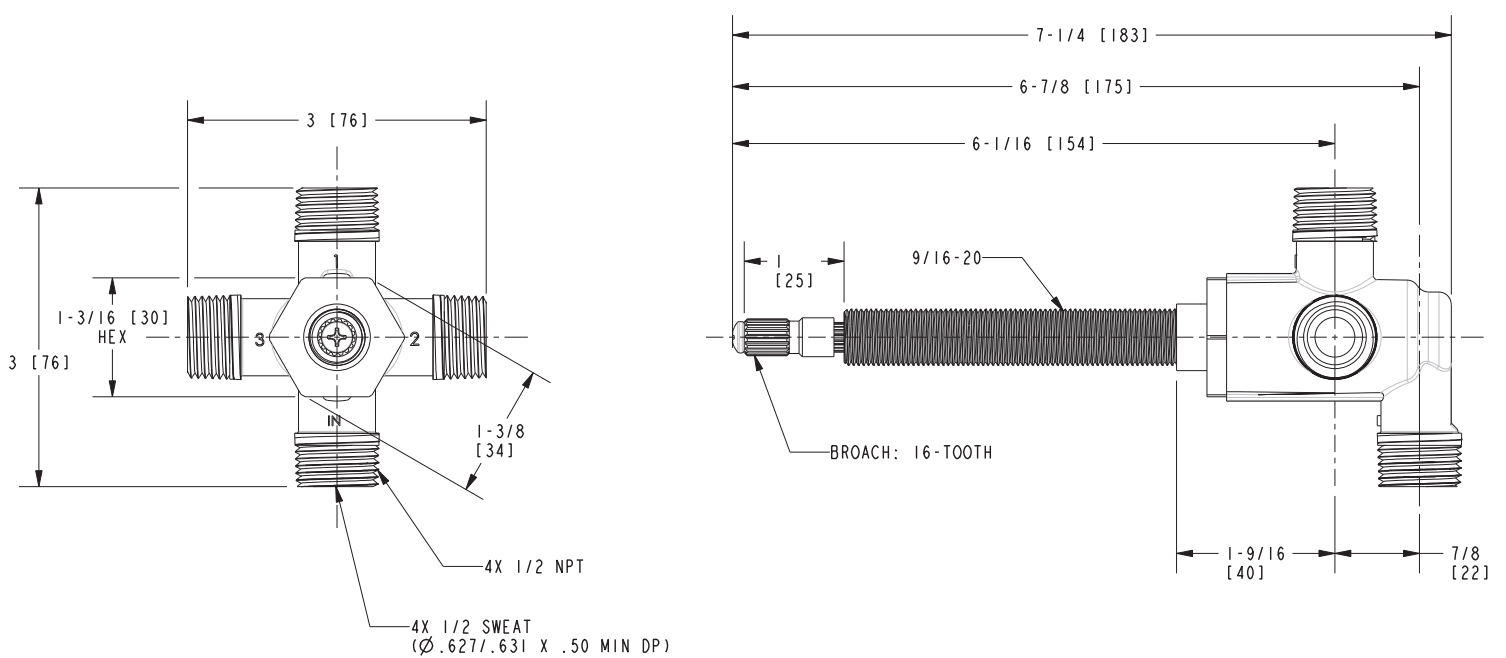
Model	Description	Colors Finishes
1-617	Flow Control Valve 3-Port	<input type="checkbox"/> NA

Product Specification: Add "Color / Finish" suffix to Model number, below.

The Flow Control Valve for wall installations shall be made of solid brass construction. 16 tooth valve body shall have 2 or 3 way diverting capabilities. Valve shall have a maximum flow rate of 12.5 gpm (gallons per minute) @ 40 psi. The Flow Control Valve for wall installations shall be Newport Brass Model 1-617.

1-617

PRODUCT DIMENSIONS *(Units are in inches)*



Newport Brass Diverter 1-617