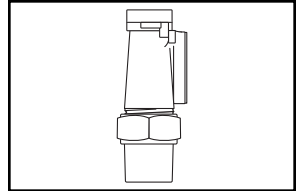


SUBMITTAL INFORMATION

Angle Key Flange Meter Valves - (FV23-xxxW-NL style)



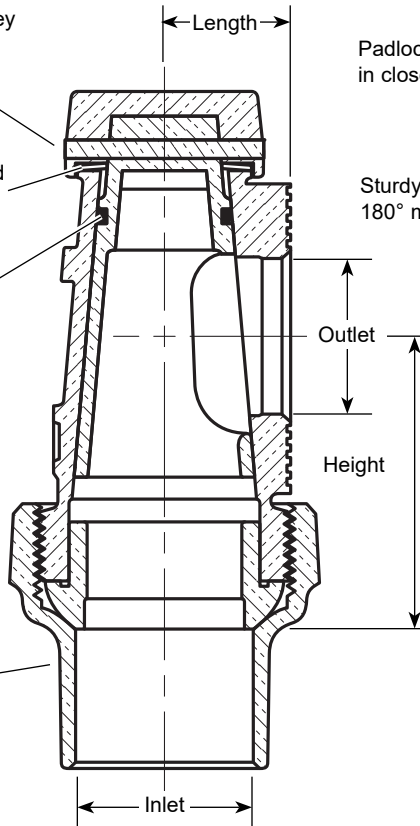
FLARE COPPER INLET BY METER FLANGE OUTLET

Bronze pin securely locks the tee head to the inverted key

Phosphor bronze spring washer under the tee head will reset the key after turning

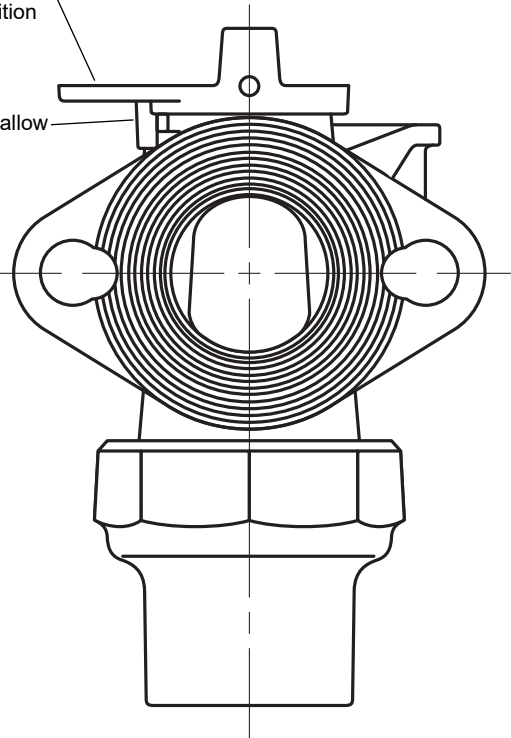
NBR (Buna-N) O-ring in the stem

Copper Flare Nut



Padlock Wing for locking valve in closed position

Sturdy stops allow 180° motion



VALVE SIZE	SERVICE LINE SIZE INLET	METER SIZE OUTLET	LENGTH	HEIGHT	APPROX. WT. LBS	PART NUMBER	✓ SUBMITTED ITEM(S)
1-1/2"	1-1/2"	1-1/2"	1-1/4"	3-3/8"	7.2	FV23-666W-NL	
2"	2"	1-1/2" & 2"	1-1/2"	3-3/4"	10.8	FV23-777W-NL	

FEATURES

- All brass that comes in contact with potable water conforms to AWWA Standard C800 (ASTM B584, UNS C89833)
 - The product has the letters "NL" cast into the main body for lead-free identification
 - Certified to NSF/ANSI Standard 61 and NSF/ANSI Standard 372 where applicable
 - Brass components that do not come in contact with potable water conform to AWWA Standard C800 (ASTM B62 and ASTM B584, UNS C83600, 85-5-5-5)
 - Padlock wing for locking valve in closed position
 - Flat drop-in gaskets included
 - Slotted holes are standard on 2" Flanged Angle Meter Valves, allowing 1-1/2" flange meter connection
 - Meets 80 PSI pressure requirement of AWWA Standard C800
- Optional Meter Support Brackets.** Add "-MSB" to end of part number.

The Ford Meter Box Company considers the information in this submittal form to be correct at the time of publication. Item and option availability, including specifications, are subject to change without notice. Please verify that your product information is current.



The Ford Meter Box Company, Inc.

P.O. Box 443, Wabash, Indiana U.S.A. 46992-0443

Phone: 260-563-3171 / Fax: 800-826-3487

Overseas Fax: 260-563-0167

www.fordmeterbox.com

01/07/19

Submitted By: