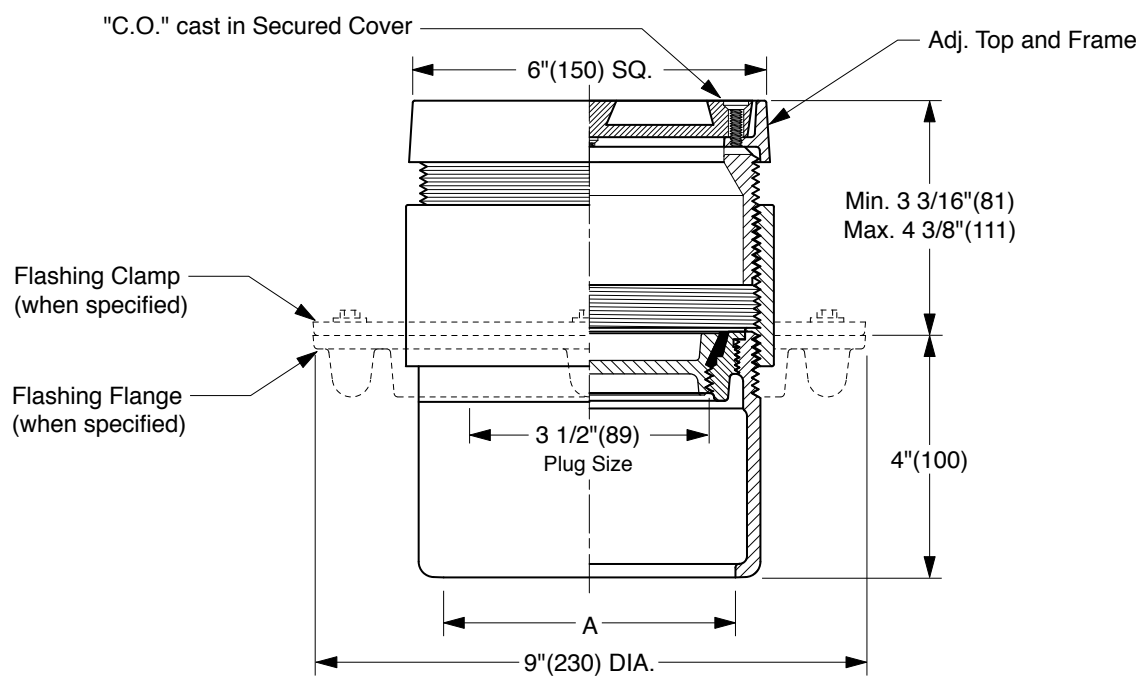


TERRAZZO FLOOR CLEANOUTS WITH "TWIS-TO-FLOOR®" ADJUSTABLE TOPS

SQUARE NICKEL BRONZE TOP WITH TERRAZZO RECESS

FUNCTION: Used in terrazzo and similar poured floors bearing foot and medium load wheeled traffic. The recess is filled with the floor material, presenting an unobtrusive appearance. Lock-in design firmly holds floor material in recess.



TWIS-TO-FLOOR® ADJUSTMENT

INSIDE CAULK OUTLET

"A" (Pipe Size) = 02(50), 03(75) or 04(100)

- Fig. 4205C.....Gasket Seal - ABS Plug
- Fig. 4206C.....Gasket Seal - Bronze Plug
- Fig. 4208C.....Taper Thread - Bronze Plug
- Fig. 4209C.....Taper Thread - ABS Plug

(Twis-to-Floor® design shown with gasketed plug.)

NOTE: Dimensions shown in parentheses are in millimeters.

REGULARLY FURNISHED:
 Duco Cast Iron Cleanout with Square Adjustable Secured Nickel Bronze Top with 1/2"(13) Terrazzo Recess. Closure Plug Type as Indicated By Figure Number Selected.

- VARIATIONS:**
- Flashing Flange -F
 - Flange with Flashing Clamp -F-C
 - Vandal Proof Top -U

- OPTIONAL MATERIALS:**
- Galvanized Cast Iron -G
 - Polished Bronze Top -PB

DRAWING NUMBER S4205
 SIZE A
 SCALE: NONE
 DATE: 2-16-70
 APPROVED BY: JM
 CHECKED BY: BH
 DRAWN BY: RK
4205 SERIES
 DIMENSIONS ARE SUBJECT TO MANUFACTURERS TOLERANCE AND CHANGE WITHOUT NOTICE

J H	07/29/02 10/26/00	Corrected Clamp & Flange view New design	JJ JJ	CL CL	WEIGHT POUNDS	VOLUME CUBIC FEET	FIGURE NUMBER 4205 SERIES
REV.	DATE	DESCRIPTION	BY	CKD. BY			