



100 Royal Way
 Temple, GA 30179
 Phone (800) 520-6593

SPECIFICATION DATA SHEET

Date:10/30/2014

MODEL No. 249
Oval/Round End Boot

DIMENSIONAL DATA

SIZES AVAILABLE: 5" THROUGH 8" DIAMETER

FABRICATION DATA

Material:

ASTM-A653 CS Type B Galvanized Steel
 G-30 Coating LFQ Chemical Treatment

Gauges: 28GA

<u>A</u>	<u>B</u>	<u>C</u>
5	6"	3 1/4"
6	7 3/4"	3 1/4"
7	9 1/4"	3 1/4"
8	10 1/2"	3 1/4"

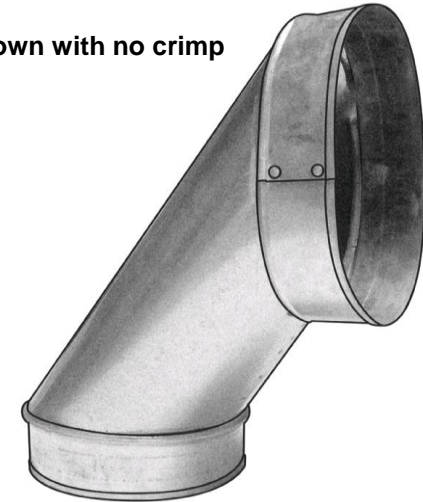
Assembly:

Elbow is assembled with C-115 2/16 zinc coatd steel rivets. The collar with an 1/8" hem is collatched on and the oval end is crimped.

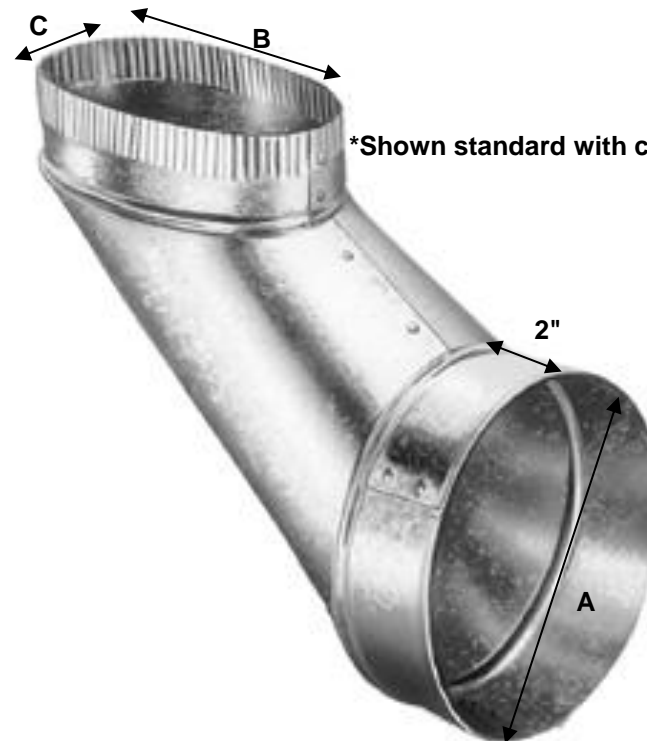
OPTIONS

- 249NC - No Crimp
- 249RC- Crimped on Round end

*Shown with no crimp



*Shown standard with crimp on oval end



Superior Quality, Superior Service, Superior Value.. that's the Royal Advantage