

## TECHNICAL SPECIFICATIONS

### Capella® 60 Whirlpool Bath

CAP6060 WCR 2XX	Capella 60 Whirlpool Bath, Right Hand (F934)
CAP6060 WCL 2XX	Capella 60 Whirlpool Bath, Left Hand (G775)
CAP6060 WCG 2XX	Capella 60 Whirlpool Bath, Left Front (BG55)

### Capella® 60 Bath

CAP6060 BCX XXX	Capella 60 Bath (F933)
-----------------	------------------------



#### INSTALLATION NOTES

Refer to installation instructions included with fixture before beginning installation. Please confirm product availability and specifications before commencing with any installation work.

PRODUCT SPECIFICATIONS AND AVAILABILITY ARE SUBJECT TO CHANGE WITHOUT NOTICE.

## KEY DIMENSIONS

#### DIMENSIONS

60" L x 60" L x 20-1/2" H

(1524 mm) L x (1524 mm) L x (521 mm) H

#### DRAIN/OVERFLOW

A: 18" (457 mm) B: 12-1/8" (308 mm)

#### CUTOUT

Not Applicable

#### TOTAL WEIGHT

G775, F934: 1122 lb (509 kg) / 45 lb/sq. ft. (220 kg/m<sup>2</sup>)

F933: 1095 lb (497 kg) / 44 lb/sq. ft. (215 kg/m<sup>2</sup>)

#### OPERATING GALLONAGE

68 U.S. Gal. (257 Liters),

Max. 84 U.S. Gal. (318 Liters)

#### PRODUCT WEIGHT

G775, F934: 122 lb (55 kg)

F933: 95 lb (43 kg)

#### SKIRT MOUNTING

Not Available

#### ELECTRICAL SPECIFICATIONS MODELS F934, G775, BG55 ONLY

Requires a dedicated GFCI protected separate circuit.

Motor/Pump: 120 VAC, 15 AMP, 60 Hz.

RapidHeat: 120 VAC, 15 AMP, 60 Hz.

#### HEATER (OPTIONAL) MODEL F934, G775, BG55 ONLY

Requires a dedicated GFCI protected separate circuit.

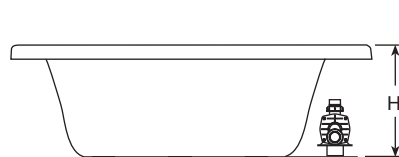
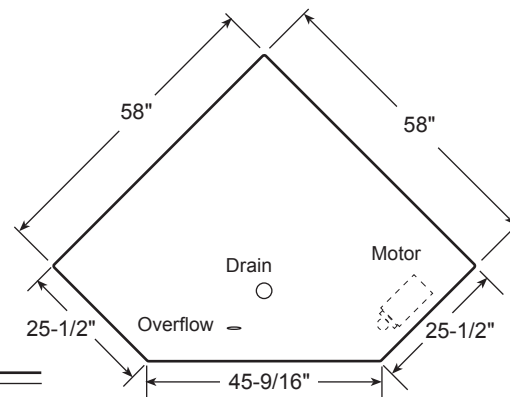
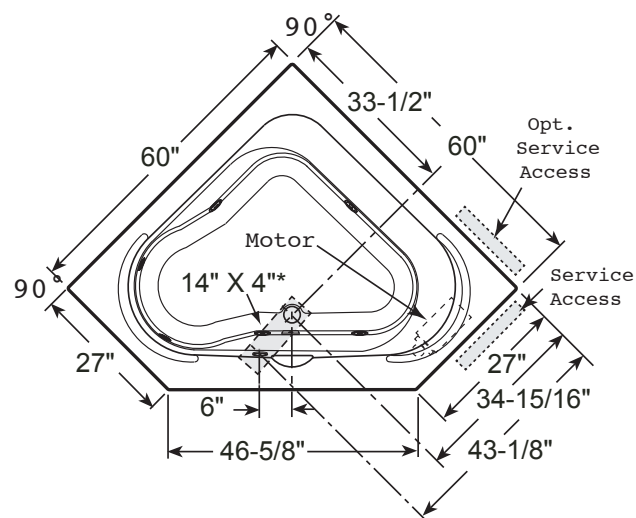
RapidHeat™ #S750000

Product Shown: Capella 60 Corner Whirlpool Bath Model: F934

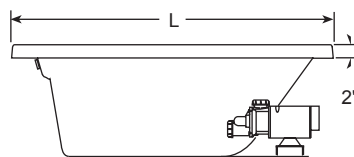
\* Measurements inside unit represent cutout in floor to allow for drain/overflow. Minimum Service Access dimensions given.

## FEATURES, UPGRADES & ACCESSORIES

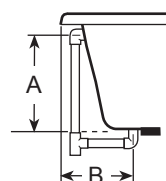
- Center Drain Location
- Accessories / Hardware:
  - Trip-Lever Drain Kit: #X559
  - Rotary Drain Kit, 26" Cable: #8730
  - TheraPro™ Jet Rings Kit #GU44
  - AccuPro™ Jet Rings Kit #GU45 (2 kits required)
- Trim Kit Finishes Available:
  - (827) – Chrome
  - (826) – Brushed Nickel
  - (845) – Oil Rubbed Bronze



SIDE VIEW



END VIEW



DRAIN/OVERFLOW