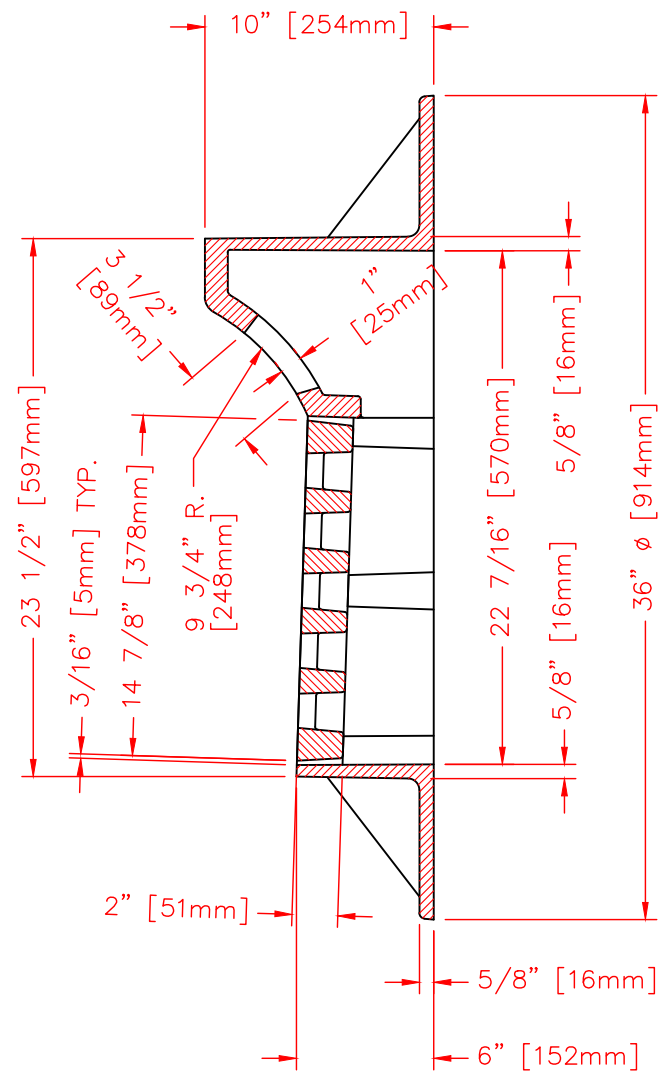


SECTION A-A



NOTE: ALL DIMENSIONS SHOWN ARE IN ENGLISH AND [METRIC]
 COMPONENT NOS.: FRAME 3501-0180; GRATE 3501-0002
 MATERIAL: CAST GRAY IRON ASTM A-48, CLASS 35B
 FINISH: NO PAINT
 WEIGHT: FRAME 260#; GRATE 96# WAS NF-24414-B

DR. CSK	SCALE 1/8"=1"	TITLE: R-3501-L1A
CH.		ROLL FRAME AND GRATE
APP.	DIM CHK.	NEENAH FOUNDRY COMPANY
DATE 10-15-2001		NEENAH WISCONSIN 54956
		NF-3501 493 B