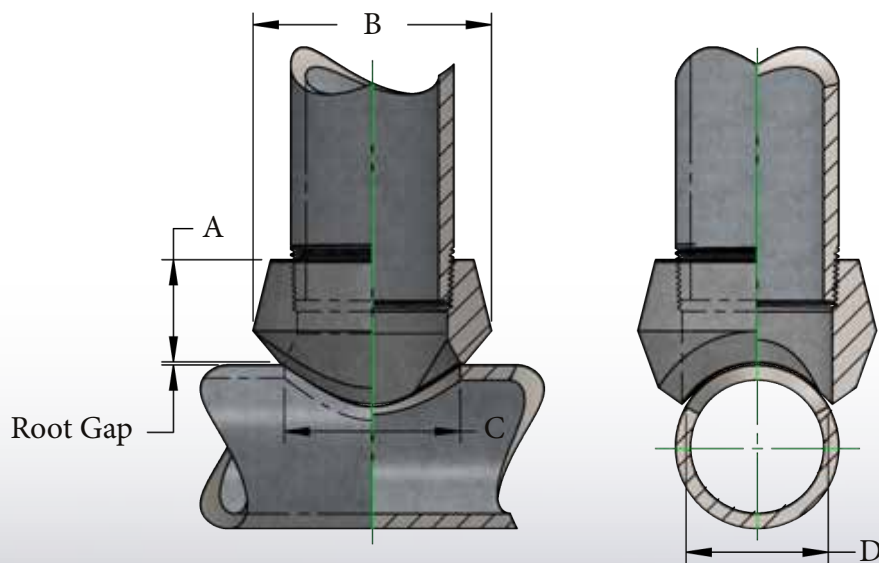


THREDOLET®

SIZE ON SIZE
CLASS 3000



Outlet Size	Dimensions				Weight
	A	B	C	D	
NPS ½	1	1 ¾	1 ⁵ / ₁₆	¾	0.150
NPS ¾	1 1 ¹ / ₁₆	1 1 ¹ / ₁₆	1 3 ¹ / ₁₆	1 ³ / ₁₆	0.250
NPS 1	1 5 ¹ / ₁₆	2 ½	1 7 ¹ / ₁₆	1 1 ¹ / ₁₆	0.450
NPS 1 ¼	1 5 ¹ / ₁₆	2 ¾	1 ¾	1 ¾	0.700
NPS 1 ½	1 ¾	2 7 ¹ / ₈	2	1 5 ¹ / ₈	0.900
NPS 2	1 ½	3 ½	2 9 ¹ / ₁₆	2 1 ¹ / ₁₆	1.400
NPS 2 ½	1 1 ⁵ / ₁₆	4 1 ¹ / ₁₆	3	2 ½	2.500
NPS 3	2	4 1 ³ / ₁₆	3 1 ¹ / ₁₆	3 1 ¹ / ₁₆	4.300
NPS 3 ½	2 ½	5 ¾	4 7 ¹ / ₁₆	3 9 ¹ / ₁₆	4.500
NPS 4	2 ¼	6	4 ¾	4 1 ¹ / ₁₆	6.800
NPS 5	2 7 ¹ / ₁₆	7 ¼	5 ¼	5 ¼	9.200
NPS 6	2 ¾	8 1 ¹ / ₁₆	5 ¾	5 ¾	15.700



RUN SIZE CONSOLIDATIONS - CLASS 6000						
Outlet Size						
	½	¾	1	1 ¼	1 ½	2
RUN SIZES	1 - ¾	1	1 ½ - 1 ¼	1 ½	2	2 ½
	2 - 1 ¼	2 ½ - 1 ¼	2 ½ - 2	2 ½ - 2	2 ½	3
	6 - 2 ½	10 - 3	10 - 3	3 ½ - 3	3 ½ - 3	4
	36 - 8	36 - 12	36 - 12	8 - 4	5 - 4	5
	FLAT	FLAT	FLAT	36 - 10	8 - 6	6
				FLAT	18 - 10	10 - 8
					36 - 20	20 - 12
					FLAT	36 - 24
						FLAT



**DESIGN PER MSS SP-97
NPT THREADS PER ASME B1.20.1**