

Features

- KOHLER® cast iron.
- Under-mount.
- Rectangular basin with two side ledges.
- With overflow.
- No faucet holes; requires wall- or counter-mount faucet.
- 21" (533 mm) x 16" (406 mm)

Recommended Accessories

K- 8998 P-Trap

Components

Additional included component/s: Basin clamp assembly.



ADA

CSA B651

OBC

Codes/Standards










ASME A112.19.1/CSA B45.2
ADA
ICC/ANSI A117.1
CSA B651
OBC

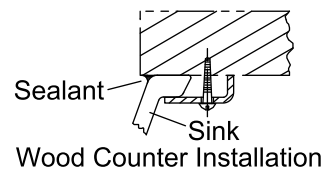
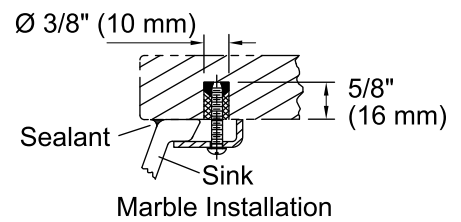
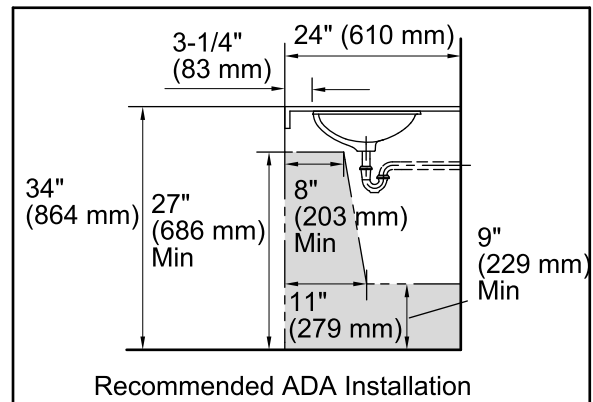
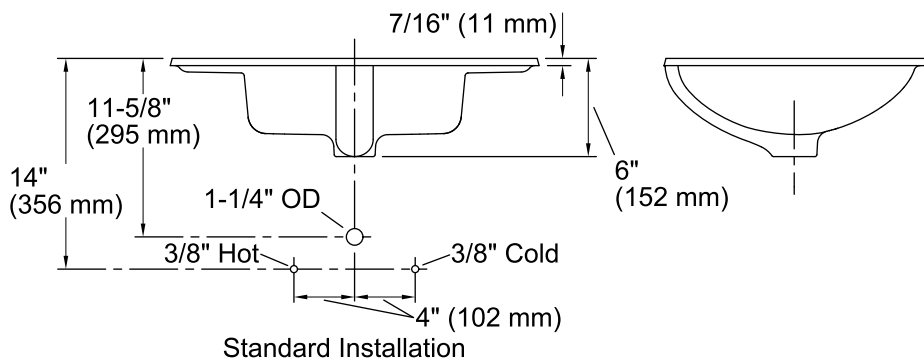
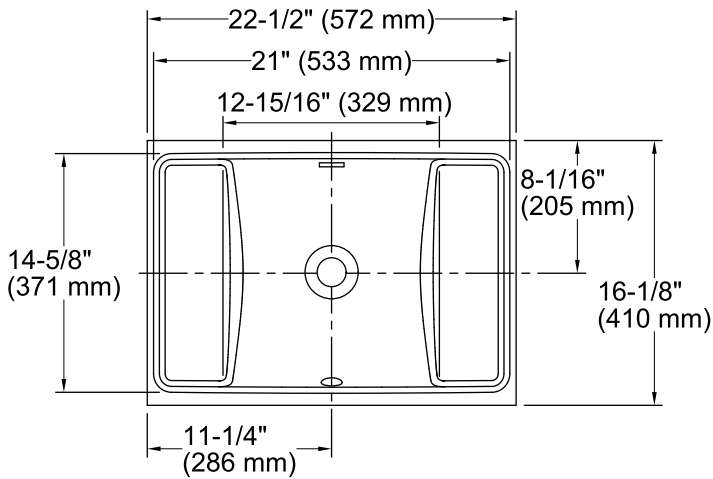
KOHLER® Lifetime Limited Warranty for Cast Iron Components

See website for detailed warranty information.

Available Color/Finishes

Color tiles intended for reference only.

Color	Code	Description
	0	White
	FF	Sea Salt™
	96	Biscuit
	47	Almond
	FD	Cane Sugar™
	KC	Vapour™ Blue
	KG	Vapour™ Green
	FT	Basalt
	KA	Black 'n Tan



Technical Information

All product dimensions are nominal.

- Bowl configuration: Single
- Installation: Under-mount
- Bowl area (Only) Length: 12-15/16" (329 mm)
Width: 14-5/8" (371 mm)
Water depth: 3-1/4" (83 mm)
- Drain hole: 1-11/16" (43 mm)
- Template: Under-mount, 1070407-7, required, included

Notes

- Install this product according to the installation guide.
- ADA, OBC, CSA B651 compliant when installed to the specific requirements of these regulations.