



### Features

- Integral flange.
- Center drain.
- Removable drain cover.
- One-piece construction.
- Coordinates with other products in the Archer collection.
- Coordinates with Choreograph™ walls.

### Material

- Acrylic

### Installation

- Alcove

### Recommended Accessories

K- 9132 Shower Drain



### Codes/Standards

ASME A112.19.1/CSA B45.2  
CSA B45.5/IAPMO Z124  
ASTM E162  
ASTM E662  
Greenguard UL 2818 - Gold

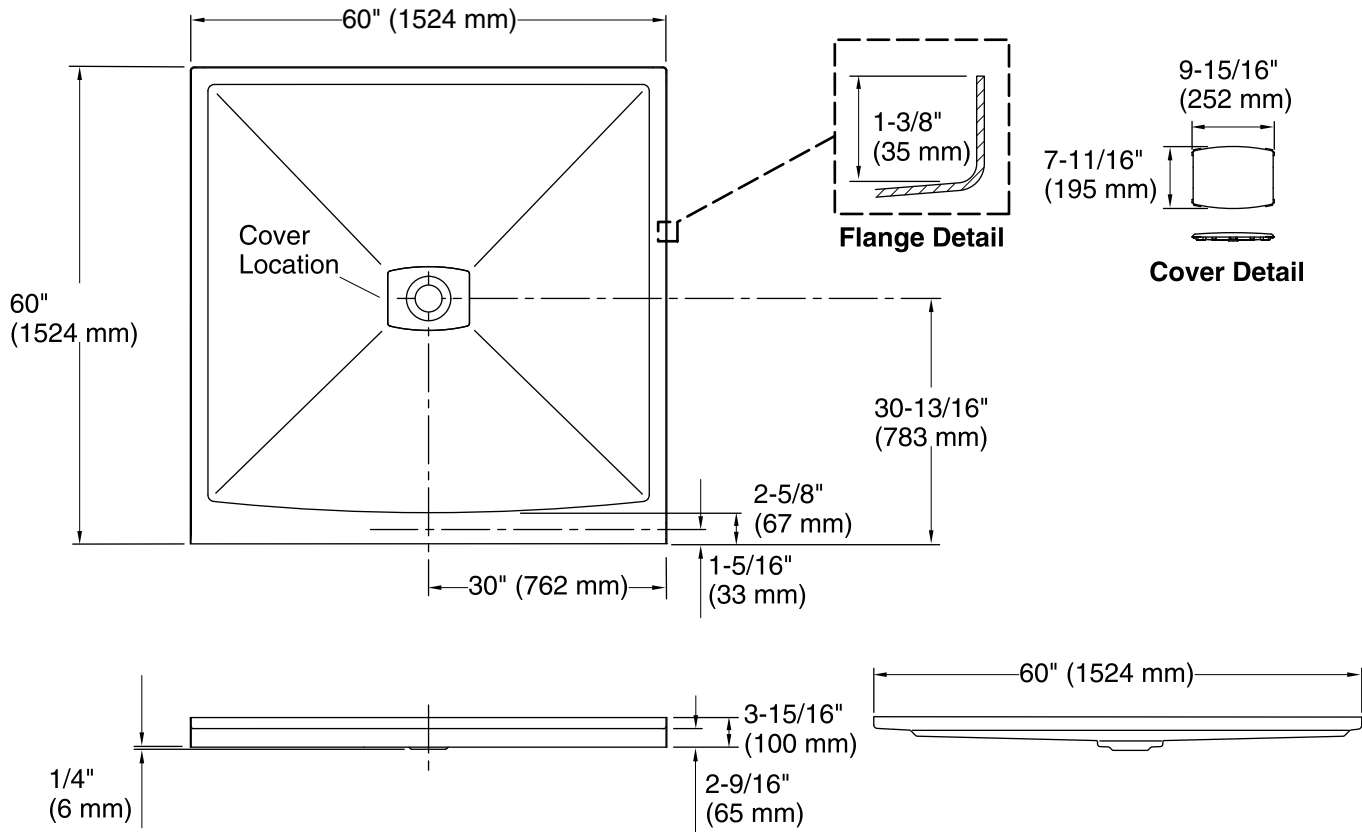
### KOHLER® One-Year Limited Warranty

See website for detailed warranty information.

### Available Color/Finishes

*Color tiles intended for reference only.*

| Color | Code | Description   |
|-------|------|---------------|
|       | 0    | White         |
|       | 96   | Biscuit       |
|       | 47   | Almond        |
|       | NY   | Dune          |
|       | 95   | Ice™ Grey     |
|       | G9   | Sandbar       |
|       | 33   | Mexican Sand™ |
|       | K4   | Cashmere      |
|       | 58   | Thunder™ Grey |
|       | 7    | Black Black™  |



## Technical Information

All product dimensions are nominal.

|                      |  |
|----------------------|--|
| Installation:        | 3-Wall Alcove                                    |
| Drain location:      | Center   |
| Drain hole diameter: | 3-3/8" (86 mm)                                   |
| Weight:              | 83 lbs (37.6 kg)                                 |
| Minimum floor load:  | 15 lbs/ft <sup>2</sup> (73.2 kg/m <sup>2</sup> ) |

## Notes

- Measure your actual product for rough-in details.
- Install this product according to the installation instructions.
- Shimming may be required to level the fixture.
- Shimming may be required between the stud frame and the fixture.
- Stud opening tolerance is + 1/4" (6 mm), - 0" (0 mm).