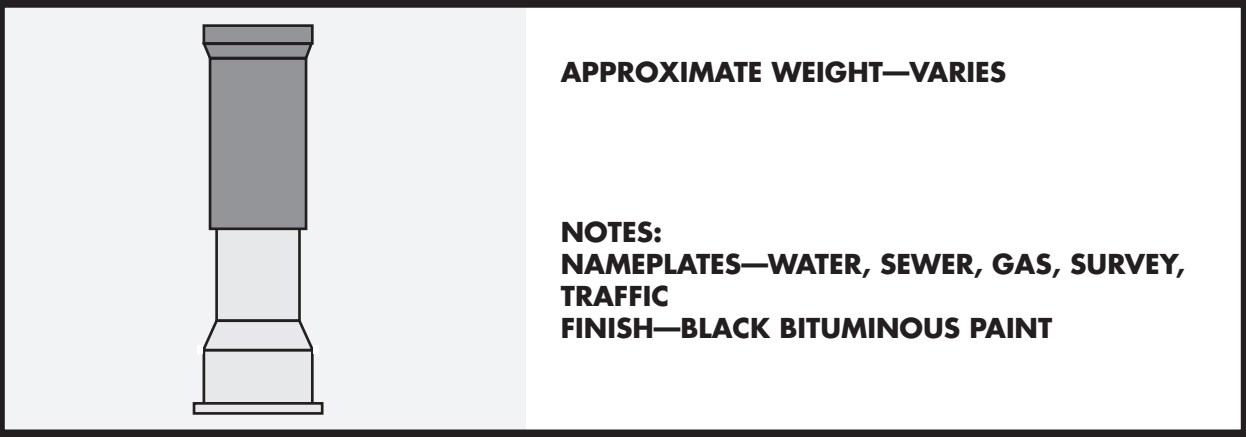


CAST IRON CAST IRON THREE-PIECE VALVE BOX 6860 SERIES C.I.

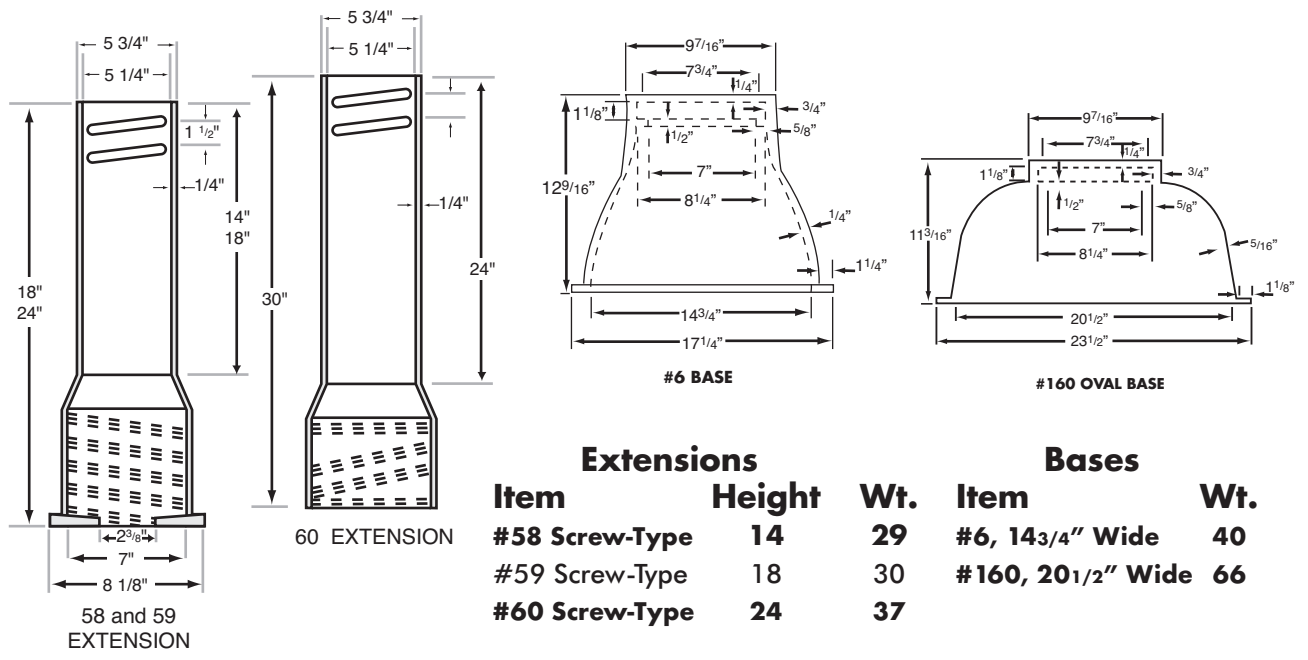


APPROXIMATE WEIGHT—VARIES

**NOTES:
NAMEPLATES—WATER, SEWER, GAS, SURVEY,
TRAFFIC
FINISH—BLACK BITUMINOUS PAINT**

6860 SERIES

Item	Top Section			Bottom	
	Height	Length	Wt.	Length	Wt.
C.I. - A (10T + 18B)	33-42	10T	36	18B	29
C.I. - B (16T + 24B)	39-42	16T	36	24B	30
C.I. - C (16T + 30B)	45-54	16T	36	30B	37
C.I. - D (26T - 30B)	45-66	26T	51	30B	37
C.I. - DD (26T + 36B)	51-72	26T	51	36B	41
C.I. - E (16T + 24B + #60 Ext)	63-72	16T	36	24B	30
C.I. - F (26T + 24B + #60 Ext)	63-84	26T	51	24B	30



Extensions			Bases	
Item	Height	Wt.	Item	Wt.
#58 Screw-Type	14	29	#6, 14 3/4\"	40
#59 Screw-Type	18	30	#160, 20 1/2\"	66
#60 Screw-Type	24	37		

