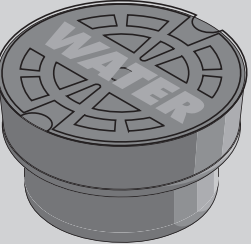


ALUMINUM & CAST IRON VALVE BOX TOP VBT LID C.I. & AL



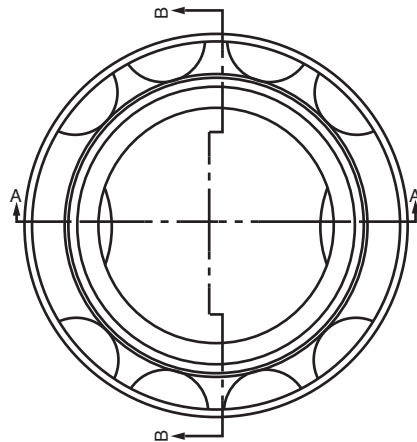
APPROXIMATE WEIGHT

CAST-IRON LID	12.5 lb	VBTLCI
ALUMINUM LID	5 lb	VBTLAL

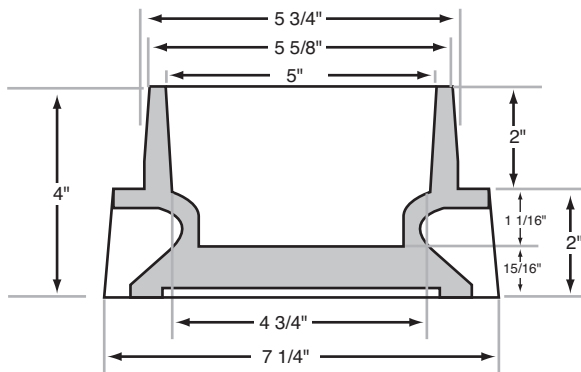
NOTE:
NAMEPLATES—WATER, SEWER, GAS, SURVEY, TRAFFIC, IRRIGATION, CP TEST OR AS REQUIRED



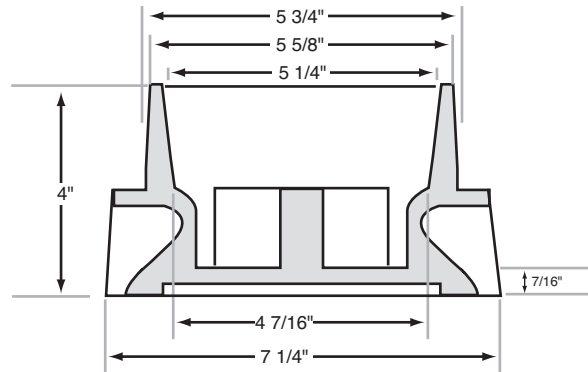
TOP VIEW



BOTTOM VIEW



SECTION A-A
HEAVY-DUTY CAST-IRON LID



SECTION B-B
STANDARD ALUMINUM LID

