



DELTA[®]

COMMERCIAL

150__T

Write purchase model number here for future reference

203458

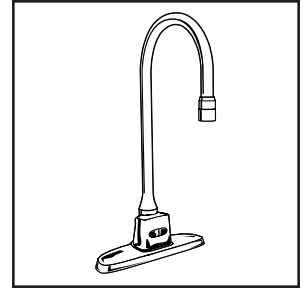
203458

203458

203458

203458

NOTE: For optimum performance of this product, we recommend a system pressure between 20 and 80 PSI static. This product will operate up to a maximum of 125 PSI static per ANSI and CSA requirements. However, we do not recommend pressure above 80 PSI. Thermal expansion or leaking pressure reducing valves may require use of expansion tanks or relief valves to ensure your system never exceeds its maximum intended pressure setting.



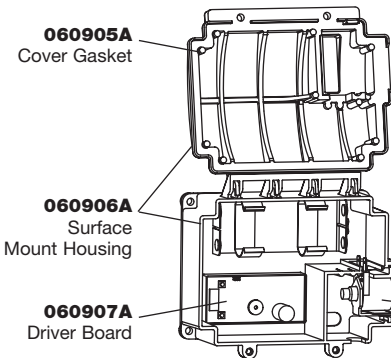
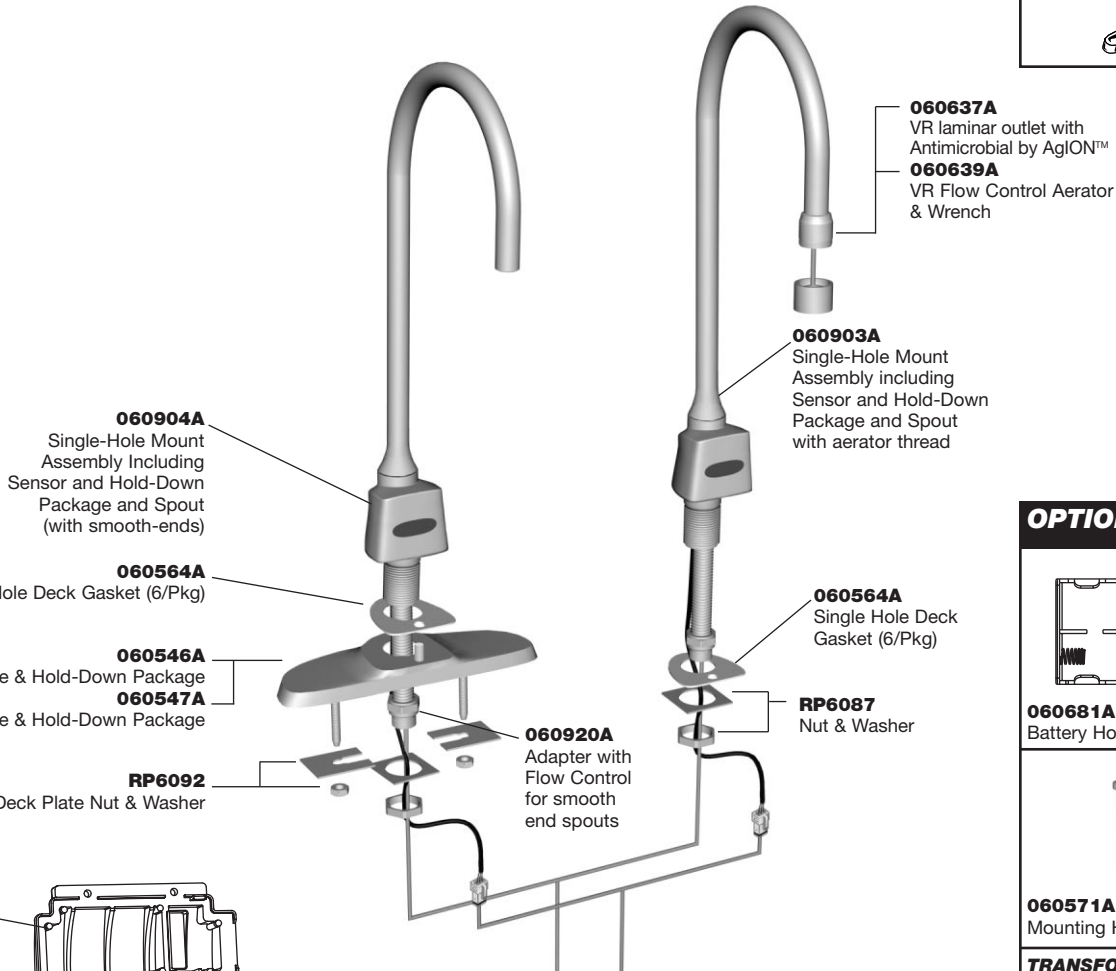
203458

203458

203458

203458

203458

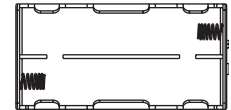


OR

Note: See page 3 for parts breakdown on recessed mount aluminum boxes.

- 060690A**
36" Cable Extension
- 060416A**
Bypass Adaptor
- RP30523**
Braided Hose
- 060683A**
24VAC to 6VDC Converter

OPTION LIST



060681A
Battery Holder



060571A
Mounting Hardware

TRANSFORMERS

- 060704A**
Transformer 110 to 24 VAC 20VA up to 5 Electronic Valves
- 060771A**
Transformer 110 to 24 VAC 40VA up to 10 Electronic Valves
- 060772A**
Transformer 110 to 24 VAC 100VA up to 25 Electronic Valves

DECK PLATES

- 060548A**
4" Deck Plate Gasket (6/Pkg)
- 060546A**
4" Deck Plate & Hold-Down Pkg
- 060549A**
8" Deck Plate Gasket (6/Pkg)
- 060547A**
8" Deck Plate & Hold-Down Pkg

*Package Quantities May Change.

Check the Parts section of the latest Delta Commercial Faucet Price List for current quantities.

PLEASE LEAVE this M&I Sheet with the owner, maintenance plumber, etc. as items relating to ongoing maintenance suggestions and procedures are included.

Installation should be in accordance with local plumbing and electrical codes.
FLUSH ALL PIPES THOROUGHLY BEFORE INSTALLATION.

INSTALLATION AND SET UP INSTRUCTIONS

FOR SURFACE MOUNT HOUSING: CONTROL BOX #0

STEP 1. FAUCET INSTALLATION

Connect 20" braided hose to spout inlet. Mount faucet to sink using nut(s) and washer(s) provided. **NOTE: Use clear silicone sealant between faucet and lavatory to prevent water from leaking beneath lavatory.**

STEP 2. BATTERY BOX INSTALLATION

Mount battery box to wall under sink using the 4 supplied screws and anchors. Use 1/4" drill for wall anchors. **Be sure to install the box within the dimensions provided so the hose and spout cable will reach connections at faucet and battery box. Refer to illustration (Fig. 2).**

STEP 3. FLUSH SYSTEM

To flush supply line, assemble these components as shown (Fig. 3) and run water for 1 minute. Shut off water supply. Attach aerator. **NOTE: Do not connect supply to the solenoid inlet until line is flushed directly out spout.**

STEP 4. CONNECT WATER SUPPLY

Disassemble the components, reassemble the ones shown here (Fig. 4) supply line and adaptor to the bottom fitting on box, braided hose to the top fitting on box. Use Teflon® tape where indicated on adaptor. Turn on water supply. **DO NOT SOLDER CONNECTIONS!**

STEP 5. POWER UP

Unscrew the battery box lid screws (2). Install 4 "C" batteries in holder or snap the battery clip directly to the optional 24 VAC converter.

BATTERY VERSION Install four "C" batteries provided into the battery holder. After the batteries are installed, make the sensor connection on the driver board neatly inside the battery box. Connect battery clip to battery pack. One beep should occur to indicate power is applied. Two beeps indicate product is ready to use. Use caution not to damage wires or components on electronic driver board. **See Fig. 5.** Secure lid using screws.

HARDWIRE VERSION Install CSA and/or UL approved Class 2 transformer or equivalent in a convenient location or in a pipe chase. **(Do NOT install the transformer inside the control box.)** With the power off, bring the 24 VAC supply wires to the box. Connect the 24 VAC supply to the 060683A conversion kit, (See Page 1.) Connect the battery snap of the hardwire converter to the driver board battery clip. Turn on power supply for the transformer and then make the sensor connection on the control module neatly inside the battery box.

STEP 6. PREPARE SINK AREA

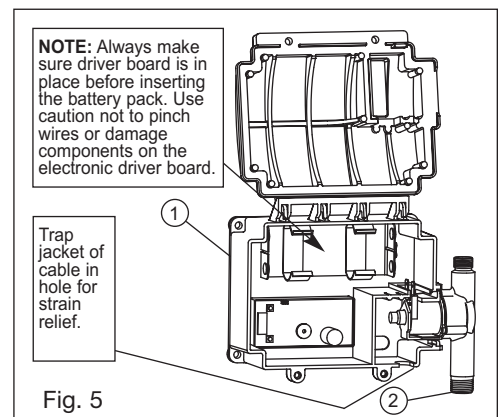
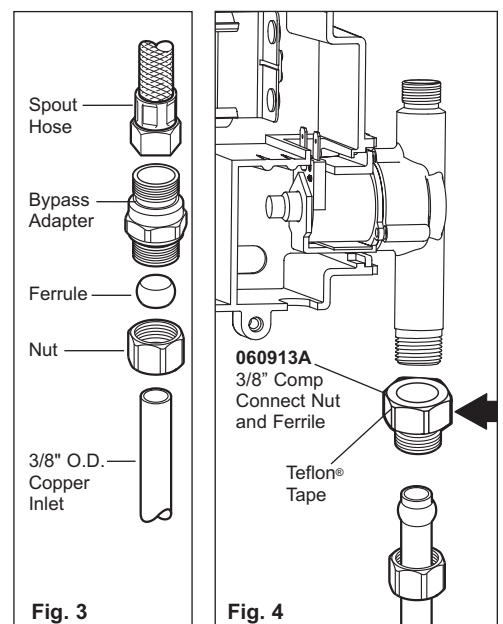
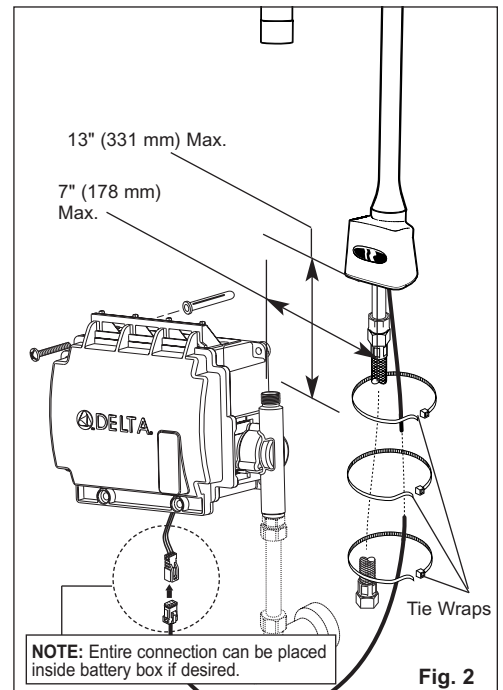
Before connecting the spout cable – clean off counter and remove all objects from the sink.

STEP 7. TIE SPOUT CABLE

Attach spout cable to box connector. Use tie wraps to secure spout cable to spout hose. Your faucet is now ready for use. (Fig. 2)

STEP 8. TEST FOR OPERATION

Test for operation. If faucet leaks from spout outlet: SHUT OFF WATER SUPPLIES. Replace Battery Box Assembly (1) If faucet exhibits very low flow: A. Remove and clean Spray Outlet or B. SHUT OFF WATER SUPPLY. Clean or replace Screen Assembly (2) If unit does not work properly, see Trouble Shooting Guide on Page 5.



Installation should be in accordance with local plumbing and electrical codes.
FLUSH ALL PIPES THOROUGHLY BEFORE INSTALLATION.

INSTALLATION AND SET UP INSTRUCTIONS

FOR RECESS MOUNT HOUSING: CONTROL BOXES #1, 6, 8.

STEP 1. ROUGH IN

HARDWARE Remove suitable knockout(s) in box(es) and insert cable bushing(s). See Fig. 6.

Note: Wires connecting between box(es) and from transformer must be protected from abrasion, and being pulled at connections. They also may have to be fished through at a later stage of construction. Depending on installation, the cable bushings included may be replaced by installer supplied 1/2" conduit. Rough-in box as per Fig. 10.

The transformer is to be installed in an adjacent accessible space. **(Do NOT install the transformer inside the control box.)** Cable from the transformer to the driver board may be roughed in at this time depending on installation. Use cable which complies to local electrical codes for a 1 amp. load. No. 18 is usually sufficient.

HARDWARE OR BATTERY If recessed box is supplied, rough in as per Fig. 10. The most vandal resistant installation is when the control box is as close to the bottom of the sink as feasible. For wall hung sink installation, sensor conduit rough in should be directly under the basin to minimize sensor cord exposure. Rough in drainage. Rough in water supply to 10" control box inlets and to spout connection. Finish walls.

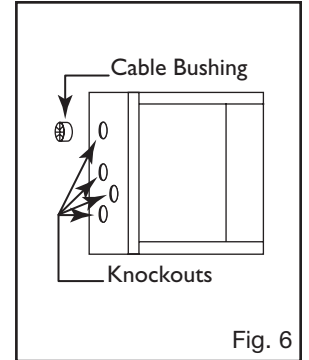
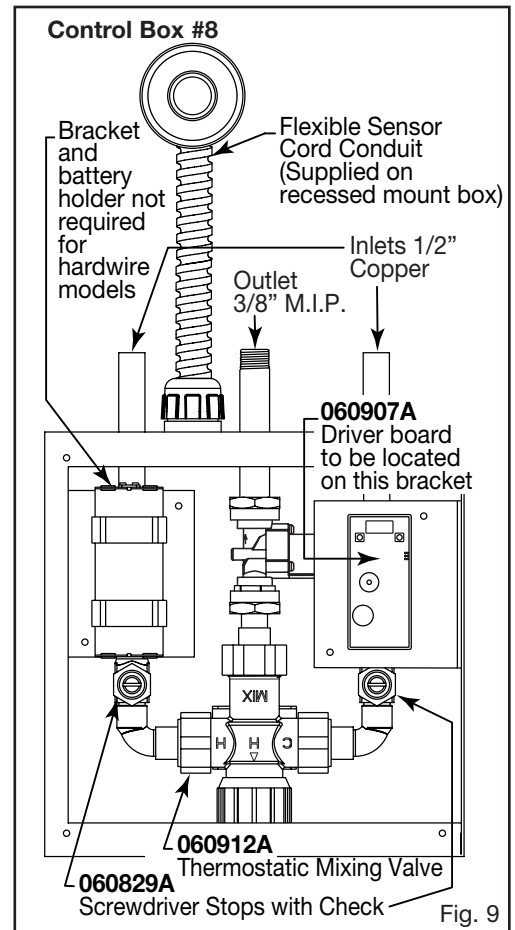
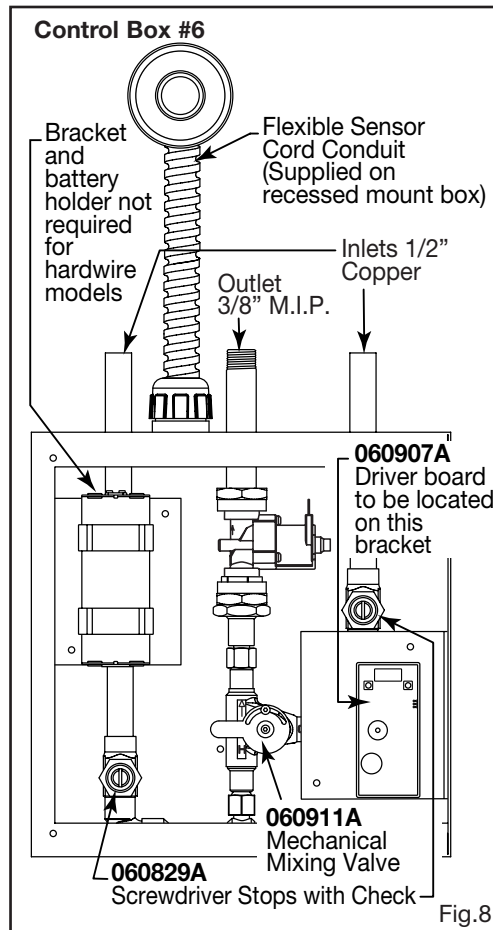
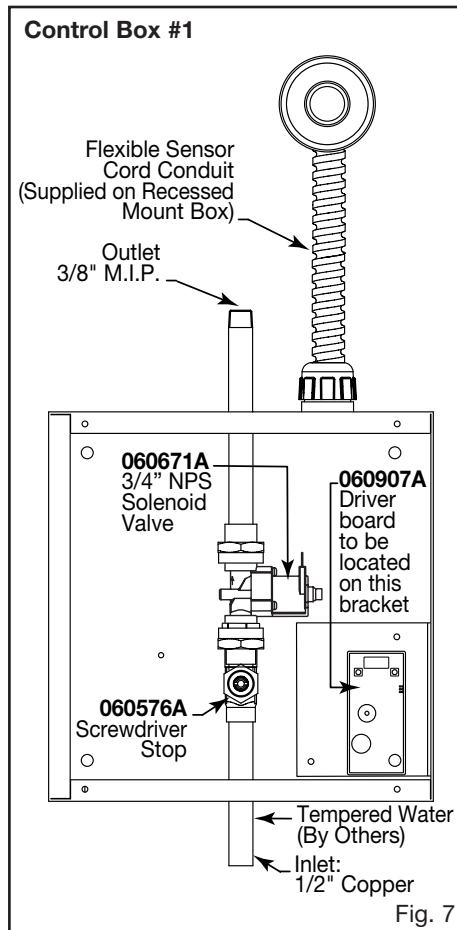


Fig. 6

STEP 2. FAUCET INSTALLATION

Mount faucet to sink using nut(s) and washer(s) provided. (Fig. 1)

NOTE: Use clear silicone sealant between faucet and lavatory to prevent water from leaking beneath lavatory.



COVERS

060577A
12" Stainless Steel Cover

060073A
Screws (4/pkg) and driver bit for covers

INSTALLATION AND SET UP INSTRUCTIONS

FOR RECESS MOUNT HOUSING: CONTROL BOXES #1, 6, 8.

STEP 3. CONNECT WATER SUPPLY

Install sink and connect drainage to rough in. See applicable Fig. 7, Fig. 8 or Fig. 9. Please note that the connection tube and fittings are supplied by the **installer** to connect the 3/8" MIP at the box outlet and compression joint for 3/8" O.D. Soft copper tube at the spout. Connect water supply through to spout. Assure supply lines are completely flushed and free of debris.

STEP 4. FLUSH SYSTEM/SET TEMPERATURE

Remove coverplate from control box. Open screwdriver stop(s) to flush installation for **1 minute minimum**.

- 4A** Run water for a sufficient time so the hot and cold water supplies are as hot and cold as they will get.
- 4B** Place a thermometer in a plastic container and hold in the water stream. Record the temperature reading and note position of temperature control, and lock at desired setting.
- 4C** If **Mechanical Mixing Valve** (060911A) (Fig. 8) Adjust setting to the desired temperature and lock in place by tightening the vandal resistant screw.

If **Thermostatic Mixing Valve** (Fig. 9) Adjust setting of the Thermostatic Mixing Valve to obtain the desired temperature (counterclockwise, to increase temperature – clockwise to decrease temperature). (Fig. 11)

Periodic Inspection/Maintenance – This valve requires periodic inspection and verification of the outlet temperature by a licensed contractor. Corrosive water conditions, hot feed water temperatures over 200°F (93°C), unauthorized adjustment or repair could render the valve ineffective for its intended service. Regular cleaning and checking of thermostat assembly helps to maximize valve life and mixing function. Frequency of cleaning depends on local water conditions.

- 4D** Close stop(s).

STEP 5. CONNECT ELECTRICAL SUPPLY, SOLENOID VALVE AND SENSOR

Remove plastic threaded spacer nipple and install solenoid valve with body arrow in the direction of water flow. See Fig. 12. Feed sensor wire from spout into control box and then into the battery holder. Connect red solenoid cord to "+" marked solenoid terminal on solenoid valve, black solenoid cord to other solenoid terminal.

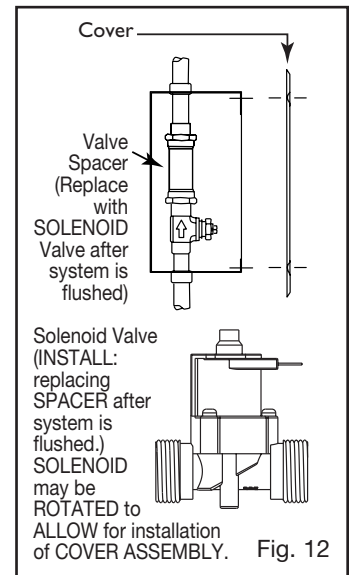
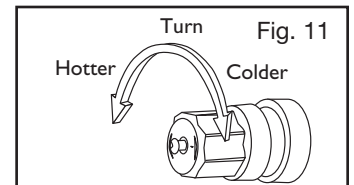
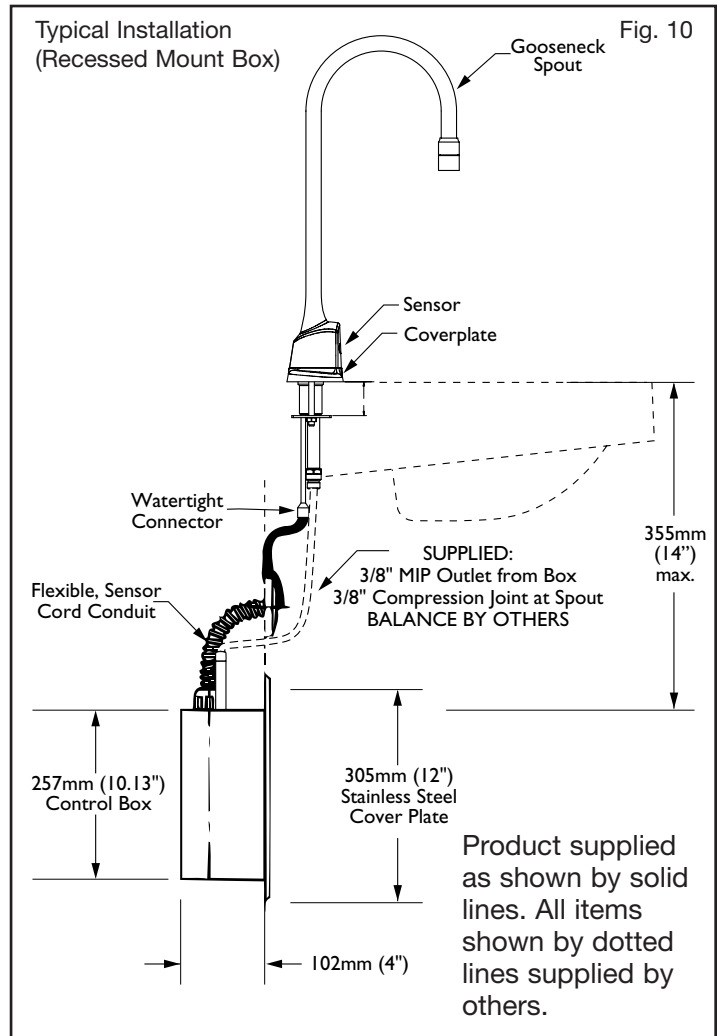
BATTERY VERSION Remove cover from control box and install four "C" batteries provided into the battery holder. After the batteries are installed, make the sensor connection on the driver board. Connect battery clip to battery pack. One beep should occur to indicate power is applied. Two beeps indicate product is ready to use. Use caution not to damage wires or components on electronic driver board. Secure cover using screws.

HARDWARE VERSION Install CSA and/or UL approved Class 2 transformer or equivalent in a convenient location or in a pipe chase. **(Do NOT install the transformer inside the control box.)**

With the power off, bring the 24 VAC supply wires into the box. Connect the 24 VAC supply to the 060683A conversion kit. Connect the battery snap of the hardware converter to the driver board battery clip. Turn on power supply for the transformer and then make the sensor connection on the driver board neatly inside the box. Secure cover using screws.

STEP 6. SERVICES

- Open screwdriver stop(s).
- Flush line.
- Install aerator.



INSTALLATION AND SET UP INSTRUCTIONS

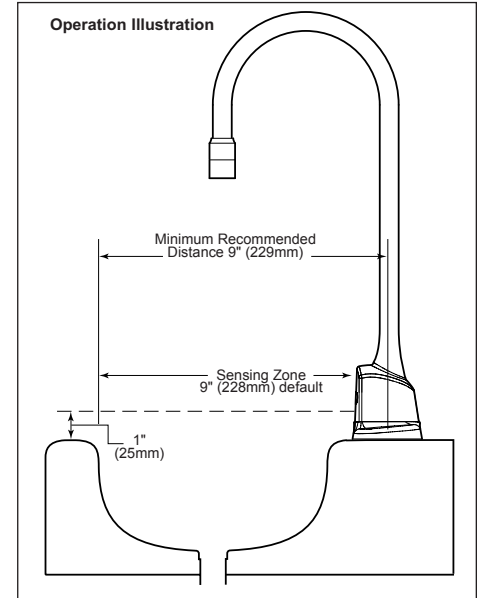
FOR RECESS MOUNT HOUSING: CONTROL BOXES #1, 6, 8.

STEP 7. TEST FOR OPERATION

Test for operation. If unit does not work properly, see Trouble Shooting Guide on page 6.

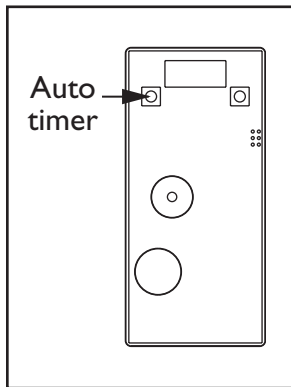
STEP 8. MAKING ADJUSTMENTS

(If adjustments are required. Note factory defaults for program shown in Quick Reference Chart.) Otherwise replace the driver board housing cover as the electronic product is ready for use.



DRIVER BOARD QUICK REFERENCE CHART

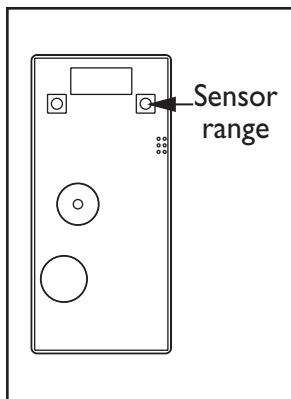
Selection Adjustment	Description	Factory Default Setting	Adjustment Range
Sensor Range	You can set the distance at which the sensor will detect hands in the wash area.	9" from sensor	3" to 15" from sensor
Auto Timer (faucet shut-off)	A safety mode in the event the sensor continually sees a target.	45 seconds	15, 30, 45, 60 and 75 seconds



AUTO TIMER (FAUCET SHUT-OFF)

Auto Timer is a safety mode in the event the sensor continually sees a target (ie. tape on the sensor). In this case the faucet will stop after the pre-determined time period expires. The Auto Timer values are 15, 30, 45, 60 and 75 seconds. The Auto Timer default value is 45 seconds.

To adjust the Auto Timer feature, press and release the yellow pushbutton on the left hand side of the digital light display. The current Auto Timer setting will then appear on the light display. Press and release the same pushbutton continuously to scan through the variable time periods (which are displayed as seconds on the digital light display). To return to operation mode, do nothing for 5 seconds.



SENSOR RANGE (3-15")

The sensor range is the maximum distance at which the user is detected. The sensor range includes 3", 6", 9", 12" and 15". The sensor range default value is 9". Note: Sensor ranges $\pm 1"$ subject to environmental conditions.

To adjust the sensor range value, press and release the yellow pushbutton on the right hand side of the digital light display. The current Sensor Range setting will then appear on the light display. Press and release the same pushbutton continuously to scan through the variable sensor ranges (which are displayed as inches on the digital light display). To return to operation mode, do nothing for 5 seconds.

If you have any questions about the installation of this product or need help trouble shooting this product please call Delta Commercial Technical Services at **1-800-387-8277**.

CARE INSTRUCTIONS

This Delta Commercial faucet is designed and engineered in accordance with the highest quality and performance standards. With proper care, it will give years of trouble free service. Care should be given to the cleaning of this product. Although the chrome finish is extremely durable, it can be **DAMAGED** by **ACIDIC CLEANERS** (eg: cleaners designed specifically for vitreous china lavatories and water closets), **HARSH ABRASIVE** or **POLISH**. To clean simply wipe the surface with a damp cloth and blot dry with a soft cloth.

TROUBLE SHOOTING GUIDE

If the faucet does not work properly, follow the steps below in order.

Step 1	Check to ensure faucet was installed according to the M & I sheet. Test for operation. If unit does not operate:	Note: See attached M & I, Pages 1 to 5. Check lens to be sure it is not blocked with foreign matter. Remove vinyl scratch protector from sensor, if present. Check to be sure power cable is properly secured in fitting. Check to be sure batteries are fresh and properly installed. Check two wires to solenoid to be sure they are connected correctly. Check to be sure water supply is turned on.	
	If faucet shuts off due to interference:	When the faucet detects an object for longer than 45 seconds, it will automatically shut off until the object is removed. Once the object is removed for at least 1 second, the faucet will operate normally.	
Step 2	Faucet makes beeping noise.	BATTERY POWERED Faucet beeps twice when turning off: indicates batteries are low and need to be replaced. (1500 Cycles or 2 weeks left) Faucet beeps continuously when hands in front of spout and no water. Faucet locked out because batteries are too low.	Replace batteries. Replace batteries.
		HARDWIRE Check voltage from converter and transformer. It should be approx. 6.4 volts dc coming from converter to the driver board.	Replace Hard Wire converter 060683A, if required.
Step 3	The faucet stops working. No water flow. Check the function of the solenoid.	The solenoid should "click" when activated.	
		If there is a clicking sound;	This indicates that both the sensor and the solenoid are functioning. Ensure inlet screen on solenoid is not plugged with debris. Clean as required.
			Check the incoming water supply. Turned on, proper pressure and volume etc. Correct as required.
		If no clicking sound;	Check for a pressure lock between the mixing valve and the solenoid. Turn off the water supply and undo the connection to the inlet of the solenoid, this will eliminate any built up pressure. Then activate sensor and test fire the solenoid. If after above there is no clicking sound; Defective solenoid. Replace 060910A or 060671A Solenoid
Step 4	If faucet does not activate or works erratically;	Check for electrical interference. Check for interference from other electrical devices within close proximity to the spout or battery box. Devices such as other infrared devices, transformers, etc.	Call Technical Service if any such conditions found. 1-800-387-8277
Step 5	If after completion of all above steps, the valve still does not function correctly; Call Technical Service for further assistance at 1-800-387-8277		

Delta Commercial Faucet Limited Warranty

All parts of the Delta® HDF® and TECK® faucets are warranted to the original consumer purchaser to be free from defects in material, finish and workmanship for a period of five (5) years unless otherwise specifically stated in the catalogue and price book. This warranty is made to the original consumer purchaser and shall be effective from date of purchase as shown on purchaser's receipt.

Delta will, at its option, repair or replace, FREE OF CHARGE, during the warranty period, any part which proves defective in material or workmanship under normal installation, use and water and service conditions. If Delta Faucet concludes that the returned part was manufactured by Delta Faucet and is, in fact, defective, then Delta Faucet will honour the warranty stated herein. Replacement parts can be obtained from your local dealer or distributor listed in the telephone directory or by returning the part along with the purchaser's receipt to our factory, TRANSPORTATION CHARGES PREPAID, at the address listed. THIS WARRANTY IS THE ONLY EXPRESS WARRANTY MADE BY DELTA. ANY CLAIMS MADE UNDER THIS WARRANTY MUST BE MADE DURING THE FIVE YEAR PERIOD REFERRED TO ABOVE. ANY IMPLIED WARRANTIES, INCLUDING THE IMPLIED WARRANTY OF MERCHANTABILITY OF FITNESS FOR A PARTICULAR PURPOSE, ARE LIMITED IN DURATION TO THE DURATION OF THIS WARRANTY. LABOUR CHARGES AND/OR DAMAGE INCURRED IN INSTALLATION, REPAIR OR REPLACEMENT AS WELL AS INCIDENTAL AND CONSEQUENTIAL, SPECIAL, INDIRECT OR PUNITIVE DAMAGES CONNECTED THEREWITH ARE EXCLUDED AND WILL NOT BE PAID BY DELTA FAUCET.

Some states do not allow limitations on how long an implied warranty lasts, or the exclusion or limitation of incidental or consequential damages, so the above limitations or exclusions may not apply to you. This warranty gives you specific legal rights, and you may also have other rights which vary from state to state.

This warranty is for commercial products only from Delta Faucet Company and Delta Faucet Canada, a division of Masco Canada Limited, and is void for any damage to this faucet due to misuse, abuse, neglect, accident, improper installation, any use in violation of instructions furnished by Delta Faucet or any use of replacement parts other than genuine Delta parts.

GARANTIE LIMITÉE DELTA COMMERCIAL

Toutes les pièces des robinets de marque Delta^{MD} HDF^{MD} et TECK^{MD} sont garanties contre tout défaut de matière, de finition et de main-d'œuvre pour une période de cinq (5) ans, sauf indication contraire stipulée dans le catalogue et la liste des prix. Cette garantie est offerte à l'acheteur original et entre en vigueur à compter de la date d'achat indiquée sur la preuve d'achat.

Delta procédera, à son entière discrétion, à la réparation ou au remplacement, SANS FRAIS, durant la période de garantie, de toute pièce qui présente un défaut de matière ou de main-d'œuvre dans des conditions d'installation, d'usure, d'eau et de service normales. Si Delta Faucet détermine que la pièce retournée a été fabriquée par Delta Faucet et qu'en effet, cette pièce fait défaut, Delta Faucet respectera alors la garantie stipulée aux présentes. Les pièces de rechange peuvent être obtenues chez votre marchand local ou le distributeur inscrit dans votre annuaire téléphonique, ou en retournant la pièce ainsi que la preuve d'achat à notre usine, FRAIS DE TRANSPORT PRÉPAYÉS, à l'adresse indiquée. CETTE GARANTIE EST LA SEULE GARANTIE EXPRESSE FAITE PAR DELTA.

TOUTE RÉCLAMATION FAITE EN VERTU DE CETTE GARANTIE DOIT ÊTRE PRÉSENTÉE DURANT LA PÉRIODE DE CINQ ANS MENTIONNÉE CI-DESSUS. TOUTE GARANTIE IMPLICITE, Y COMPRIS LA GARANTIE IMPLICITE DE VALEUR COMMERCIALE RELATIVEMENT À L'APTITUDE À LA FONCTION, EST LIMITÉE EN TERMES DE DURÉE POUR LA DURÉE DE CETTE GARANTIE. LES FRAIS DE MAIN-D'ŒUVRE ET/OU DE DOMMAGES ENCOURUS DURANT L'INSTALLATION, LA RÉPARATION OU LE REMPLACEMENT AINSI QUE LES DOMMAGES-INTÉRÊTS ACCESSOIRES OU IMMATÉRIELS, SPÉCIAUX, INDIRECTS OU PUNITIFS S'Y RAPPORTANT SONT EXCLUS ET NE SERONT PAS PAYÉS PAR DELTA FAUCET.

Certains états ne permettent pas la limitation de la durée de la garantie implicite, ou l'exclusion ou la limitation des dommages-intérêts accessoires ou immatériels, et par conséquent, les limitations ou les exclusions stipulées ci-dessus peuvent ne pas s'appliquer dans votre cas. Cette garantie vous accorde certains droits reconnus par la loi et vous avez peut-être aussi d'autres droits qui varient d'un état à l'autre.

Cette garantie s'applique seulement aux produits commerciaux des sociétés Delta Faucet et Delta Faucet Canada, une filiale de Masco Canada Limited, et est nulle de plein droit pour tout dommage causé à ce robinet en raison d'usage excessif, d'abus, de négligence, d'accident, de mauvaise installation, tout usage en contravention des directives fournies par Delta Faucet ou tout usage de pièces de rechange autres que des pièces originales Delta.

Garantía Limitada de las Llaves de Agua Comerciales Delta

Todas las piezas de las llaves de agua (grifos) Delta®, HDF®, TECK® están garantizadas al comprador consumidor original de estar libres de defectos de material, acabado y fabricación por un período de cinco (5) años a menos que sea establecido específicamente de otra manera en el catálogo o libro de precios. Esta garantía se le hace al comprador consumidor original y será efectiva desde la fecha de compra como mostrado en el recibo del comprador.

Delta, a su opción, reparará o reemplazará, GRATUITAMENTE, durante el período de garantía, cualquier pieza que pruebe ser defectuosa en material o fabricación bajo instalación, uso, agua y condiciones de servicio normales. Si Delta Faucet concluye que la pieza devuelta fue fabricada por Delta Faucet y es, de hecho, defectuosa, entonces Delta Faucet honrará la garantía establecida en este documento.

Las piezas de repuesto se pueden obtener de su comerciante o distribuidor local listado en el libretto telefónico o devolviendo la pieza junto con el recibo del comprador a nuestra fábrica, CARGOS DE TRANSPORTE PRE-PAGADOS, a la dirección incluida. ESTA GARANTÍA ES LA ÚNICA GARANTÍA EXPRESA HECHA POR DELTA. CUALQUIER RECLAMO HECHO BAJO ESTA GARANTÍA DEBE SER HECHO DURANTE EL PERÍODO DE CINCO AÑOS ARRIBA MENCIONADO. CUALQUIER GARANTÍA IMPLÍCITA, INCLUYENDO LA GARANTÍA IMPLÍCITA DE COMERCIABILIDAD DE EMPLEO PARA UN PROPÓSITO PARTICULAR, TIENE UNA DURACIÓN LIMITADA A LA DURACIÓN DE ESTA GARANTÍA. LOS CARGOS DE LABOR Y/O DAÑO INCURRIDO DURANTE LA INSTALACIÓN, REPARACIÓN O REPUESTO COMO TAMBIÉN DAÑOS INCIDENTALES O RESULTANTES, ESPECIALES, INDIRECTOS O PUNITIVOS RELACIONADOS CON LO MENCIONADO SON EXCLUIDOS Y NO SERÁN PAGADOS POR DELTA FAUCET.

Algunos estados no permiten limitaciones de la duración de una garantía implícita limitada, o la exclusión o limitación de daños incidentales o consecuentes, de manera que las limitaciones o exclusiones arriba mencionadas puedan no aplicarle a usted. Esta garantía le da derechos legales específicos, y usted también puede tener otros derechos que varían de estado a estado.

Esta garantía es solo para productos comerciales de Delta Faucet Company y Delta Faucet Canada, una división de Masco Canada Limited, y es nula por cualquier daño hecho a esta llave de agua resultante del mal uso, abuso, descuido, accidente, instalación incorrecta, cualquier uso en violación de las instrucciones proporcionadas por Delta Faucet o cualquier uso de piezas de repuesto que no sean de piezas genuinas de Delta.

Delta Faucet Canada, a division of Masco Canada Limited
Box 5750, 420 Burbrook Place, London ON, Canada N6A 4L6
1-800-567-3300 English 1-800-265-9245 French

Delta Faucet Company
Box 40980, 55 East 111th St. Indianapolis, Indiana, USA 46280
(317) 848-1812

For further technical assistance call Delta Commercial Technical Service at 1-800-387-8277

www.deltafaucet.com

