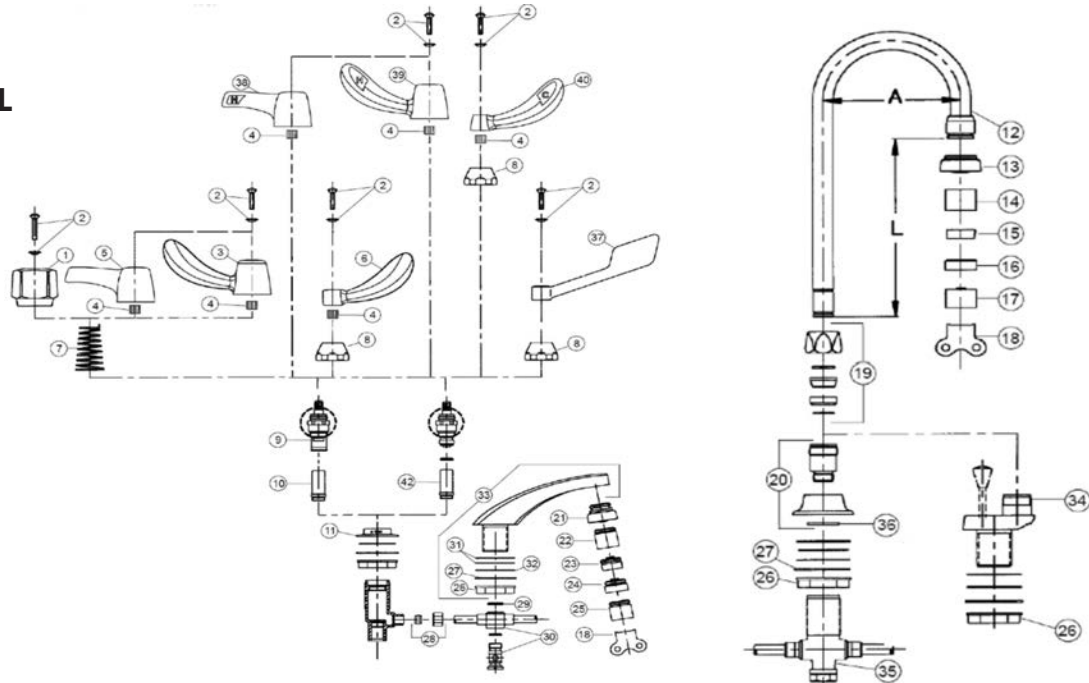


0292A

**DELTA COMMERCIAL
TECK®
WIDESPREAD
LAVATORY FAUCET**



ITEM KEY	CAT. NO.	MFG NO.	DESCRIPTION
1	557784	060794A	5 FLUTED HANDLE WITH SCREW, RED & BLUE INDEX
2	900700	060022A	HANDLE SCREWS & INDEX KIT (INCLUDES SHORT & LONG HANDLE SCREWS, RED & BLUE INDEX WASHERS)
2	USE 900700	060145A	SHORT HANDLE SCREW PACKAGE FOR NO. 2, 3 & 4 HANDLES
2	USE 900700	060146A	LONG HANDLE SCREW PACKAGE FOR NO. 1 HANDLE
2	USE 900700	060148A	RED & BLUE INDEX PACKAGE
3	900709	060543A	4" HOODED BLADE HANDLE WITH SCREW, RED & BLUE INDEX
4	900710	060544A	ALIGNMENT INSERT
5	900714	060599A	3" HOODED LEVER HANDLE WITH SCREW, RED & BLUE INDEX & ALIGNMENT INSERT
6	900715	060602A	4" BLADE HANDLE WITH SCREW, RED & BLUE INDEX & ALIGNMENT INSERT
7	*S/O	060032A	SPRINGS FOR SELF-CLOSE HANDLES (LH)
7	*S/O	060033A	SPRINGS FOR SELF-CLOSE HANDLES (RH)
8	557795	060037A	SANI-GUARDS BONNET NUTS
9	900734	063000A	(RH) RIGHT-HAND CER-TECK® CARTRIDGE (23C ONLY)
9	900735	063001A	(LH) LEFT-HAND CER-TECK® CARTRIDGE (23C ONLY)
9A	*S/O	060553A	STRUCTURE "O" RING KIT (24/PKG) (23C ONLY)
9B	838894	060554A	CER-TECK® BOTTOM SEAL (24/PKG) (23C ONLY)
10	900713	063057A	CER-TECK® WIDESPREAD SEAT (6/PKG) (23C ONLY)
11	*S/O	060445A	DECK FLANGE
12	712914	063087A	4.5" RADIUS GOOSENECK SPOUT COMPLETE
12	*S/O	060878A	GOOSENECK SPOUT COMPLETE - SMOOTH END A = 4.5"
13	*S/O	060713A	VP ROSE SPRAY (F)
14	712924	060637A	VR LAMINAR OUTLET & WRENCH WITH AGION® ANTIMICROBIAL (F)
15	900741	060641A	FLOW CONTROL AERATOR (F)
16	*S/O	060639A	VP FLOW CONTROL AERATOR & 060765A WRENCH (F)
17	712927	060726A	VP FLOW CONTROL NON-AERATING OUTLET & WRENCH
18	900756	060765A	VP AERATOR WRENCH
19	*S/O	060026A	GOOSENECK SPOUT REPAIR KIT (INCLUDES RETAINING RINGS, O-RINGS, SWIVEL & RIGID COLLARS, & SPOUT NUT)
20	*S/O	060375A	GOOSENECK SPOUT ADAPTOR & FLANGE
21	*S/O	76843-1	VP ROSE SPRAY (M)

ITEM KEY	CAT. NO.	MFG NO.	DESCRIPTION
22	*S/O	060638A	VR LAMINAR OUTLET & WRENCH WITH AGION® ANTIMICROBIAL (M)
23	*S/O	060642A	FLOW CONTROL AERATOR (M)
24	*S/O	060640A	VP FLOW CONTROL AERATOR & 060765A WRENCH (M)
25	900762	060818A	VP 0.5 GPM FLOW CONTROL & 060765A WRENCH (M)
26	*S/O	060444A	LOCKNUT
27	*S/O	060362A	FIBRE WASHER KIT (12/PKG)
28	*S/O	060364A	COMPRESSION SLEEVES & COUPLING NUTS FOR 3/8" OD TUBE
30	*S/O	063024A	TEE ASSEMBLY (10.5" LONG) INCLUDES 2 EACH OF COMPRESSION SLEEVES & COUPLING NUTS
33	*S/O	063027A	CAST SPOUT ASSEMBLY WITH POP-UP HOLE
33	*S/O	063028A	CAST SPOUT ASSEMBLY LESS POP-UP HOLE
35	*S/O	060374A	INLINE CENTRE BODY ASSEMBLY (10.5" LONG)
36	*S/O	060446A	FIBRE WASHER KIT (12/PKG)
37	900724	060865A	6" WRIST HANDLE WITH SCREW, RED & BLUE INDEX
38	712976	060947A	(HOT & COLD HANDLES) 3" HOODED LEVER TI HANDLES WITH SCREW, RED & BLUE INDEX & ALIGNMENT INSERT
39	712977	060949A	(HOT & COLD HANDLES) 4" HOODED BLADE TI HANDLES WITH SCREW, RED & BLUE INDEX & ALIGNMENT INSERT
40	900726	060948A	(HOT & COLD HANDLES) 4" BLADE TI HANDLES WITH SCREW, RED & BLUE INDEX & ALIGNMENT INSERT
41	900701	060060A	RH CP BRASS TUF-TECK® STEM W/GASKET, RENEWABLE SEAT (23T ONLY)
41	900702	060061A	LH CP BRASS TUF-TECK® STEM W/GASKET, RENEWABLE SEAT (23T ONLY)
41A	557979	060443A	STRUCTURE REPAIR PARTS (INCLUDES SEAT WASHERS, SET WASHER SLEEVES, STERN O-RING, O-RINGS, CAP NUT FIBRE GASKETS, RENEWABLE SEATS) (23T ONLY)
42	900706	060443A	LONG RENEWABLE SEAT (23T ONLY)
COMPLETE FITTING			
	406468	23T1041	"TECK" SINGLE HOLE MOUNT BASIN FAUCET
	406451	23T343	"TECK" 6" TO 12" ADJUSTABLE CENTER, TWO HANDLE CONNECTED LAVATORY FAUCETS, 2-3/4" LEVER HANDLES
	406542	23T344	"TECK" 6" TO 12" ADJUSTABLE CENTER, TWO HANDLE CONNECTED LAVATORY FAUCETS, 4" WRIST BLADE HANDLES
	406455	23T644	"TECK" 6" TO 12" ADJUSTABLE CENTER, TWO HANDLE CONNECTED LAVATORY FAUCETS, 4" WRIST BLADE HANDLES, GOOSENECK SPOUT

*S/O = SPECIAL ORDER ITEM