



COMMERCIAL GAS REPLACEMENT PARTS LIST

Low BTU Copper Brute™ II Series

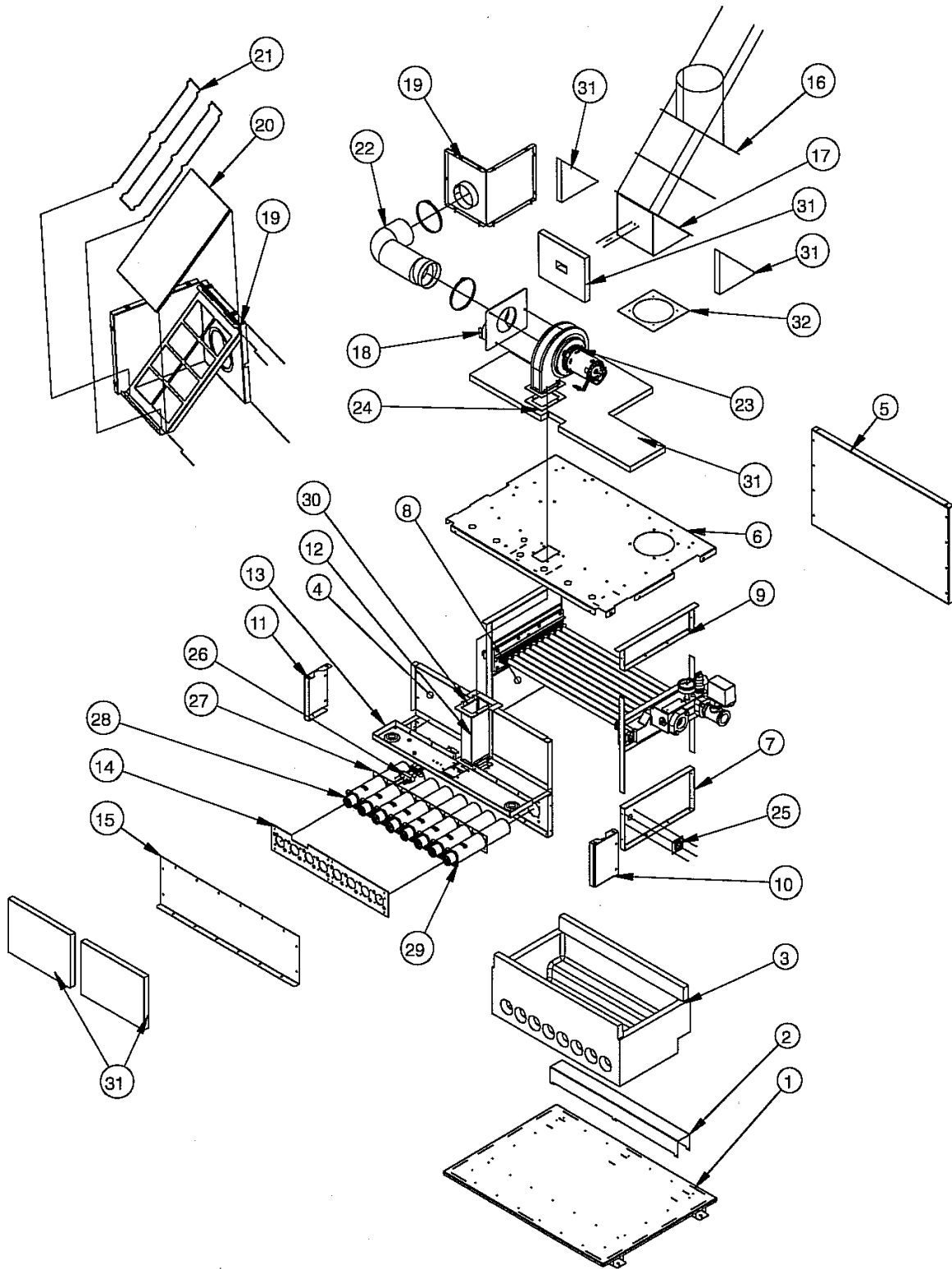
Models:
BWCV0200
BWCV0300
BWCV0400



*Effective: March, 2007
ECO 7206*

**NOTE: BOTH MODEL AND
SERIAL NUMBERS ARE
REQUIRED FOR ORDERING
REPLACEMENTS PARTS.**

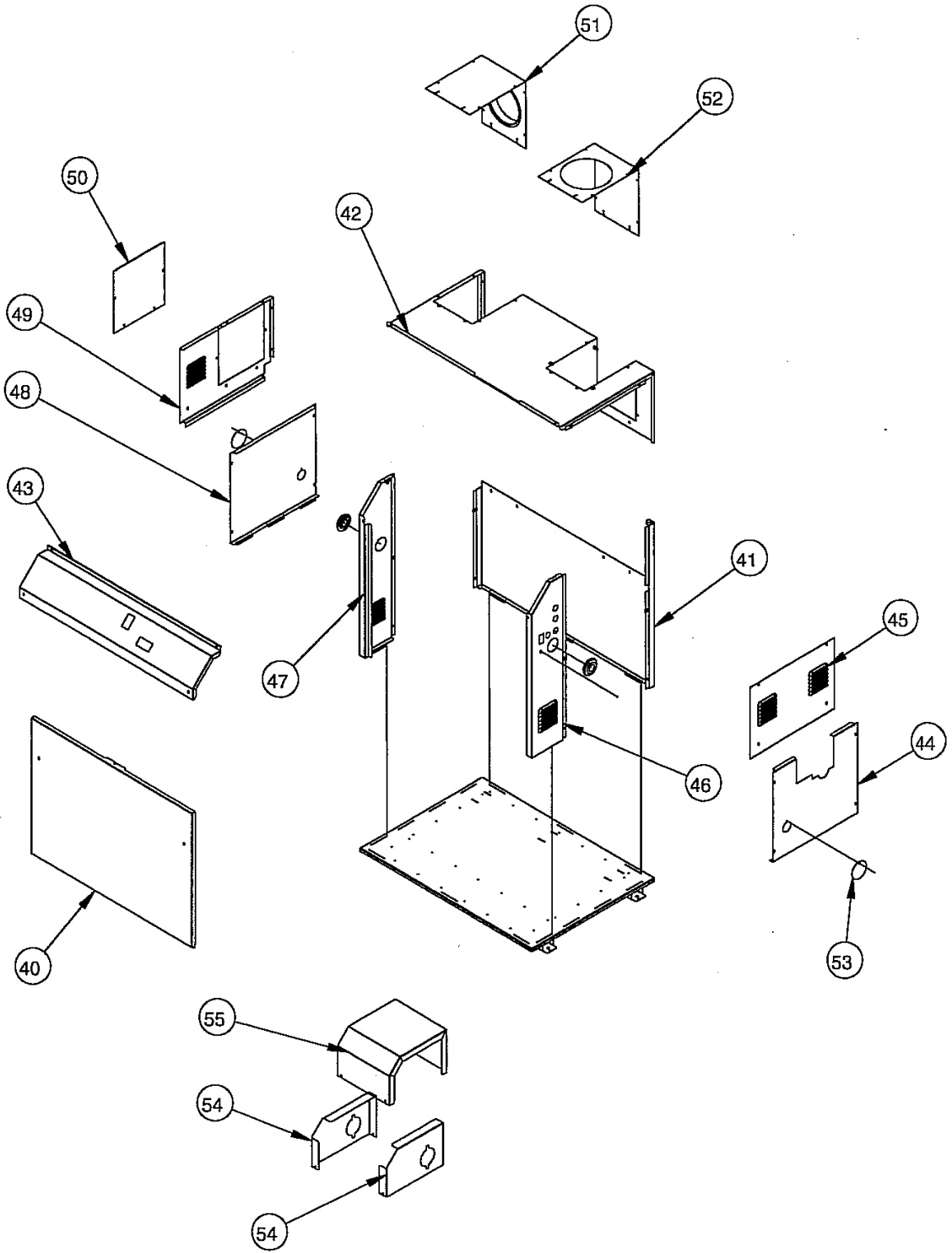
Specification subject to
change without notice



Combustion Chamber Components

COMBUSTION CHAMBER COMPONENTS

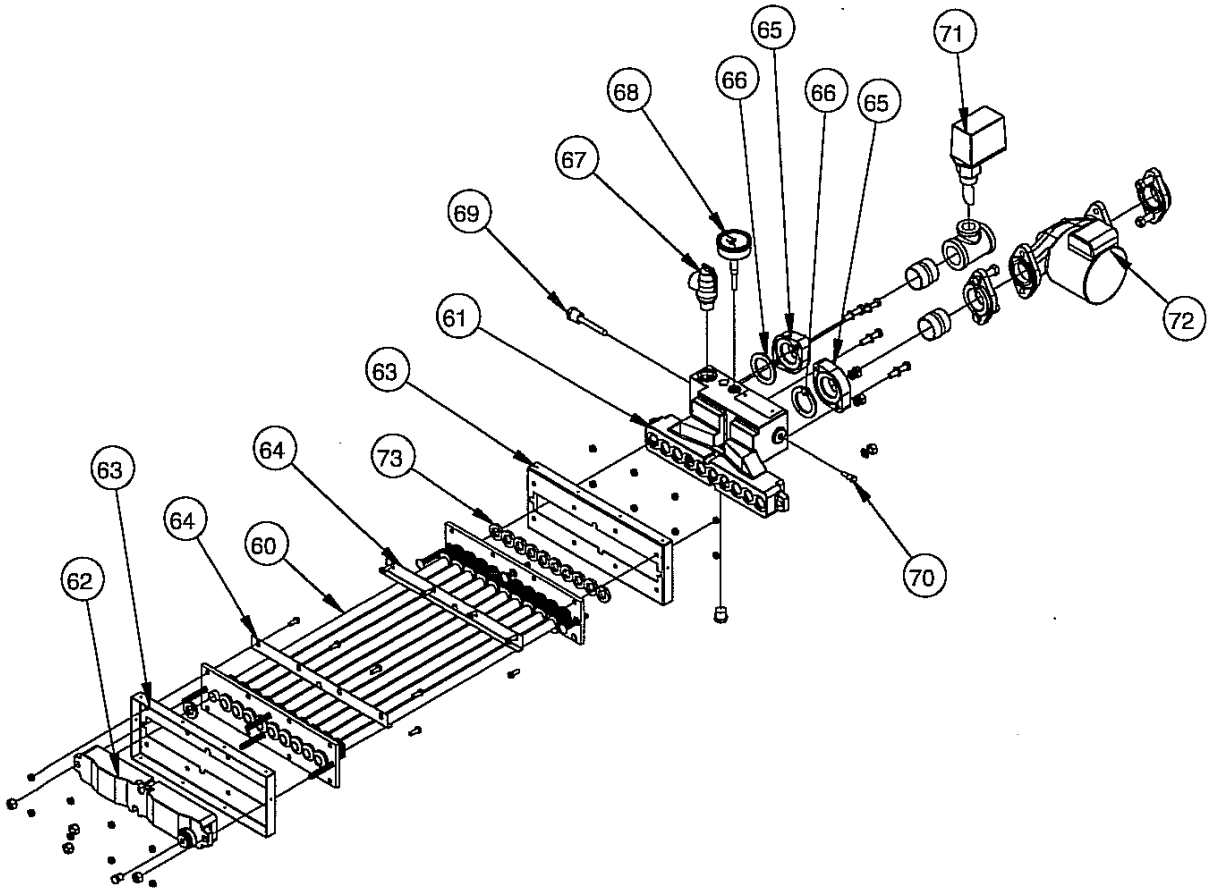
Item	Description	Model	Model	Model
		BWCV0200	BWCV0300	BWCV0400
1	Base Assembly	2C1000	3C1000	4C1000
2	Support, Tile Notch	2C2019	3C2019	4C2019
3	Chamber, Refractory, Heat Exchanger	T2108802	T2108803	T2108804
4	Assembly, Front Panel, Combustion Chamber	2C2023	2C2023	2C2023
5	Panel, Rear, Combustion Chamber	2C2006	3C2006	4C2006
6	Panel, Top, Combustion Chamber	2C2001	3C2001	4C2001
7	Chamber, Right side Bottom	2C2201	2C2201	2C2201
8	Chamber, Left Side, Bottom	2C2601	2C2601	2C2601
9	Chamber, Side, Top	2C2002	2C2002	2C2002
10	Panel, Right side, Air Box	2C2016	2C2016	2C2016
11	Panel, Left Side Air Box	2C2015	2C2015	2C2015
12	Weldment, Duct, Blower	2C2500	2C2500	2C2500
13	Panel, Top, Air Box	2C2008	3C2008	4C2008
14	Plate, Spacer, Burner/Manifold	2C2017	3C2017	4C2017
15	Panel, Front, Air Box	2C2009	3C2009	4C2009
16	Assembly, Exhaust Vent, Vertical	2C2100	3C2100	4C2100
17	Weldment, Flue	2C2300	2C2300	2C2300
18	Assembly, Air Shutter, Blower	2C5000	2C5000	2C5000
19	Assembly, Filter Housing	2C3800	2C3800	2C3800
20	Media, Filter	2C3803	2C3803	2C3803
21	Clip, Retaining, Media Filter	F2022300	F2022300	F2022300
22	Hose, Duct, Flexible, 4" Dia.	P0101402	P0101403	P0101404
23	Blower/Motor	E0254000	E0254000	E0254000
24	Gasket, Blower	S2104400	S2104400	S2104400
25	Assembly, Sight Glass	10956000	10956000	10956000
26	Igniter, Hot Surface	W2002300	W2002300	W2002300
27	Gasket, Burner	S2102300	S2102300	S2102300
28	Burner, Main (Pressure Port)	L0063301	L0063301	L0063301
29	Burner, Main	L0063300	L0063300	L0063300
30	Gasket, Blower Duct	S2104500	S2104500	S2104500
31	Kit, Insulation, Combustion Chamber	T2015808	T2015809	T2015810
32	Gasket, Flue Housing	S2104600	S2104600	S2104600



Jacket Components

JACKET COMPONENTS

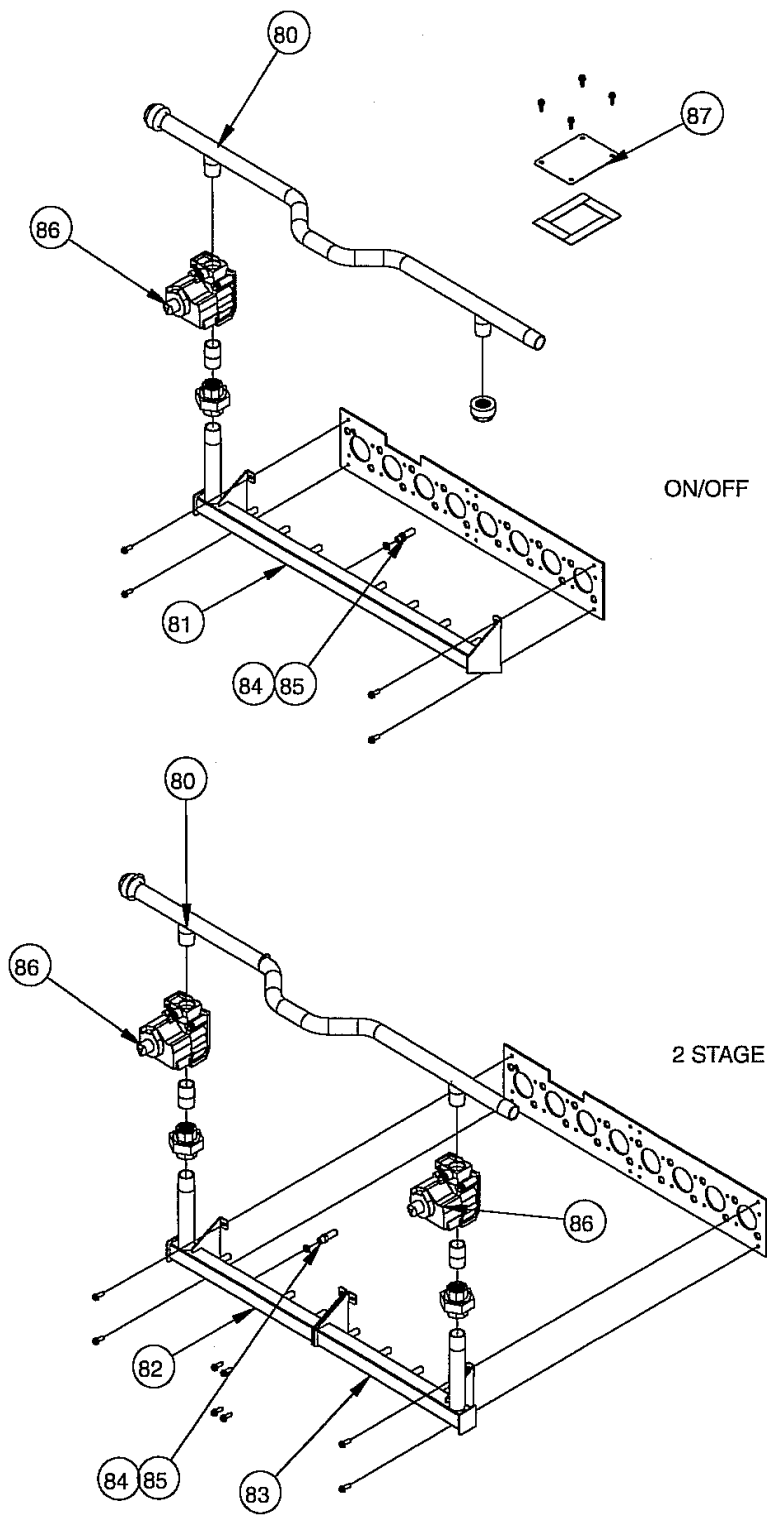
Item	Description	Model	Model	Model
		BWCV0200	BWCV0300	BWCV0400
40	Panel, Front, Jacket	2C3320	3C3320	4C3320
41	Panel, Rear, Jacket	2C3320	3C3320	4C3320
42	panel, Top, Jacket	2C3021	3C3320	4C3320
43	Panel, Jacket, Control Access	2C3019	3C3019	4C3019
44	Panel, HX Side Access, Jacket	2C3620	2C3620	2C3620
45	Panel, Right Side, Upper, Jacket	2C3621	2C3621	2C3621
46	Panel, Right Side, Jacket	2C3520	2C3520	2C3520
47	Panel, Left Side, Jacket	2C3420	2C3420	2C3420
48	Panel, Lower, Access, Jacket	2C3622	2C3622	2C3622
49	Panel, Filter, Side Upper, Jacket	2C3623	2C3623	2C3623
50	Panel, filter, Access, Jacket	2C3010	2C3010	2C3010
51	Weldment, Cover, Air Inlet	2C3700	2C3700	4C3700
52	Panel, Cover, Exhaust	2C3702	3C3701	4C3701
53	Plate, Cover, Sight Glass	10338600	10338600	10338600
54	Side, panel, Pump Cover, Jacket	2C3015	2C3014	2C3014
55	Cover, Pump	2C3016	2C3016	2C3016



Heat Exchanger Components

HEAT EXCHANGER COMPONENTS

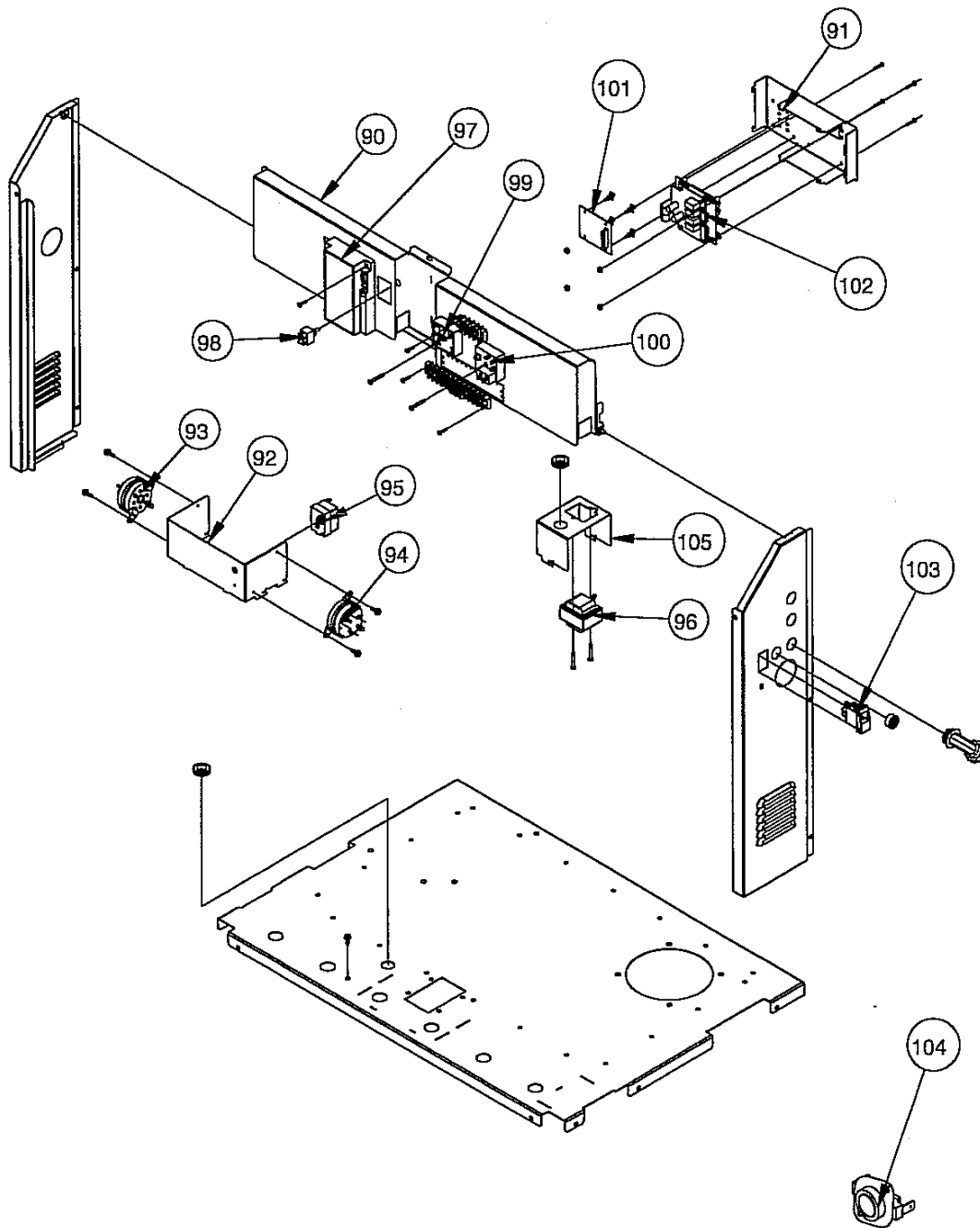
Item	Description	Model	Model	Model
		BWCV0200	BWCV0300	BWCV0400
60	Assy, Tube, Heat Exchanger, Copper	2C4100	3C4100	4C4100
	Assy, Tube, Heat Exchanger, Copper-Nickel	2C4120	3C4120	4C4120
61	Header, Inlet/Outlet	2C4102	2C4102	2C4102
62	header Return	2C4103	2C4103	2C4103
63	Chamber, Header, Heat Exchanger	2C4001	2C4001	2C4001
64	Baffle, End, Heat Exchanger Tube	2C4002	2C4002	2C4002
65	Flange, connection, 1-1/2" NPT, Cast Iron	S0077700	S0077700	S0077700
	Flange, connection, 1-1/2" NPT, Bronze	S0077800	S0077800	S0077800
66	Gasket, Connection Flange, 1-1/2"	S0076500	S0076500	S0076500
67	Valve, Pressure Relief, 3/4" NPT x 75 PSI	A0063300	A0063300	A0063300
	Valve, Pressure Relief, 3/4" NPT x 125 PSI	A0001200	A0001200	A0001200
68	Gauge, Temperature/Pressure	A0079000	A0079000	A0079000
69	Well, Immersion, Hi-Limit Temperature	E0234201	E0234201	E0234201
70	Probe, Thermister	E0253900	E0253900	E0253900
71	Switch, Water Flow	E0013000	E0013000	E0013000
72	Pump, Circulator, Hydronic	A0076700	A0076800	A0076800
	Pump, Circulator, Volume Water	A0095700	A0095700	A0095700
73	Gasket, 5/8" Tube, 7/32" Thk. Heat Exchanger	S0070800	S0070800	S0070800



Gas Train Components

GAS TRAIN COMPONENTS

Item	Description	Model	Model	Model
		BWCV0200	BWCV0300	BWCV0400
80	Weldment, Gas Manifold, Main	L0063702	L0063703	L0063704
81	Manifold, Gas, On/Off	L0063414	L0063416	L0063418
82	Manifold, Gas, 2 Stage Left Bank	L0063404	L0063413	L0063414
83	Manifold, Gas, 2 Stage Right Bank	L0063402	L0063403	L0063405
84	Orifice, Nat. Gas	L0062900	L0062900	L0062900
	Orifice, LP Gas	L0063000	L0063000	L0063000
85	Spacer, Gas Orifice	F2022400	F2022400	F2022400
86	Gas valve, Combination, Nat. (DSI) 3/4" NPT x 3/4 NPT	V0079400	V0079400	V0079400
	Gas valve, Combination, LP (DSI) 3/4" NPT x 3/4 NPT	V0079500	V0079500	V0079500
87	Cover, Gasket Inlet, Air Box	2C2018	2C2018	2C2018



Control Panel Components

CONTROL PANEL COMPONENTS

Item	Description	Model	Model	Model
		BWCV0200	BWCV0300	BWCV0400
90	Panel, Mounting, Electrical Components	2C7002	2C7002	2C7002
91	Panel, LED/Control	2C7003	2C7003	2C7003
92	Bracket, Mounting, Hi-Limit/Pressure Switch	2C7004	2C7004	2C7004
93	Switch, Pressure, Diaphragm, SPST	E0255500	E0255500	E0255500
94	Switch, Pressure, Diaphragm, SPDT	E0240900	E0240900	E0240900
95	Switch, Limit, High Temp., Hydronic	E2304800	E2304800	E2304800
	Switch, Limit, High Temp., Volume Water	E232400	E232400	E232400
96	Transformer, 24,120v, 50VAC	E0180500	E0180500	E0180500
97	Ignition Control, Hot Surface Ignition	E0253400	E0253400	E0253400
98	Switch, Toggle, SPDT	E0109200	E0109200	E0109200
99	Module. Relay, Encapsulated, 24VAC	E2306700	E2306700	E2306700
100	Relay, Time Delay, (24VAC) Delay on Break, Adjustable	E2077700	E2077700	E2077700
101	Board, Diagnostic, LED	E2105600	E2105600	E2105600
102	Controller, Digital, Temp., Dual Loop, Hydronic	E0253200	E0253200	E0253200
	Controller, Digital, Temp., Dual Loop, Volume Water	E0253100	E0253100	E0253100
103	Switch, Rocker, 15A, 125VAC, 1/2 HP	E2322700	E2322700	E2322700
104	Switch, Temp., Manual Rest, SPST 250°F	E2103200	E2103200	E2103200
105	Cover, Transformer	2C7005	2C7005	2C7005

EXTERNAL CONVERSION KITS

-	Outdoor Vent & Combustion Terminal	CA00301	CA00302	CA00303
---	------------------------------------	---------	---------	---------

OPTIONAL ACCESSORIES

-	Reverse Heat Exchanger, Pump Mounted	KM001100	KM001100	KM001100
-	Side Wall Vent Terminal	CA003101	CA003102	CA003103
-	Side Wall Combustion Air Terminal	CA003201	CA003201	CA003202



BRADFORD WHITE®

C O R P O R A T I O N

Ambler, PA

For U.S. and Canada field service,
contact your professional installer or
local Bradford White sales representative.

Sales/800-523-2931

Fax/215-641-1670

Application & Sizing/800-523-2931

Fax/215-641-1612

Technical Support/800-334-3393

Fax/269-795-1089

Warranty/800-531-2111

Fax/269-795-1089

International:

Telephone/215-641-9400

Telefax/215-641-9750



BRADFORD WHITE-CANADA® INC.

Mississauga, ON

Sales/Technical Support

866-690-0961

905-238-0100

Fax/905-238-0105

Email

parts@bradfordwhite.com

techserv@bradfordwhite.com

www.bradfordwhite.com

www.bradfordwhitecanada.com