

KOIL-KIT™ Coil Pack

SERIES 799/79V SERIES 78Y/78T/78U AND COIL HOSES

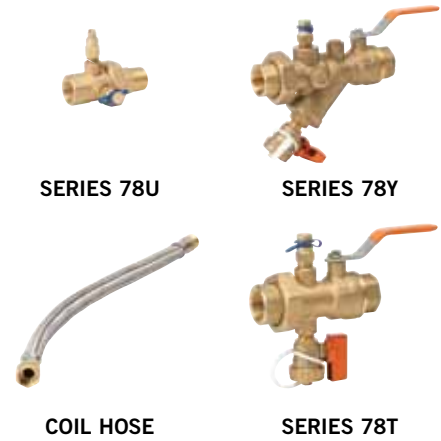
The Victaulic KOIL-KIT Coil Pack consists of the following components: Series 78Y Y-Strainer/Ball Valve or Series 78T Ball Valve Union Combination, two Coil Hoses, a Series 78U Union Port Fitting, and a TA balancing valve. For information on TA Balancing Valves offered by Victaulic, refer to publication 08.16.

Victaulic KOIL-KIT Coil Packs provide a simplified, quality coil circuit installation while ensuring optimal hydronic system design requirements are met. The Series 799/79V is suitable for a variety of hot and cold water applications including treated and untreated water systems.

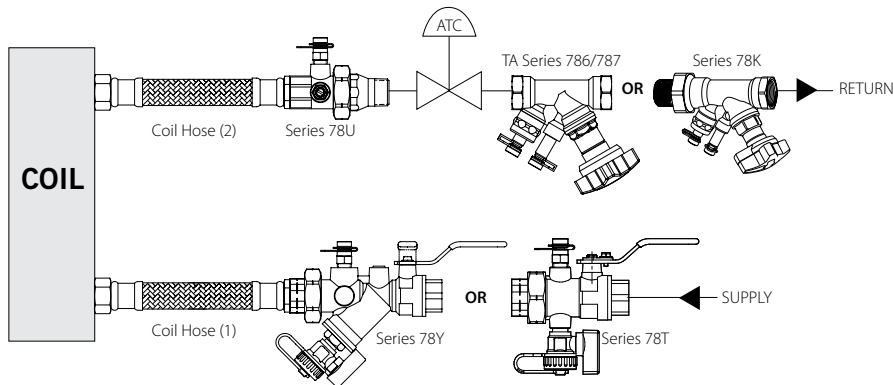
There are two packages available when ordering a Victaulic KOIL-KIT Coil Pack: Series 799 KOIL-KIT Coil Pack or Series 79V KOIL-KIT Coil Pack with ATC Valve. The Series 799 and Series 79V comes standard with the components listed in the preceding paragraph. Additionally, the Series 79V includes the option to have the ATC valve of your choosing assembled and shipped with the Victaulic KOIL-KIT Coil Pack. When selecting a Victaulic KOIL-KIT Coil Pack with ATC valve, the outlet of the Series 78U and the inlet of the Series 78K must meet the connection requirements of the ATC valve, otherwise Victaulic will not preconnect the ATC valve and final assembly will be required in the field.

For added convenience, all hoses can be provided pre-connected to the Series 78Y or 78T on the supply side and the Series 78U on the return side (specify connection preference when ordering).

See the Series 799/79V Contractor Order Form (A) on page 9 of this publication for help ordering your Victaulic KOIL-KIT Coil Pack.



VICTAULIC SERIES 799/79V KOIL-KIT COIL PACK



JOB/OWNER	CONTRACTOR	ENGINEER
System No. _____	Submitted By _____	Spec Sect _____ Para _____
Location _____	Date _____	Approved _____
		Date _____

www.victaulic.com

VICTAULIC IS A REGISTERED TRADEMARK OF VICTAULIC COMPANY. © 2011 VICTAULIC COMPANY. ALL RIGHTS RESERVED.

REV_F



KOIL-KIT™ Coil Pack

SERIES 799/79V

SERIES 78Y/78T/78U AND COIL HOSES

MATERIAL SPECIFICATIONS**BODY:**

Series 78U, 78Y, 78T: DZR Brass

UNION:

Series 78U, 78Y, 78T: DZR Brass with EPDM o-ring

SEALS:

Series 78U: EPDM o-ring

TAILPIECE:

Series 78U, 78Y, 78T: DZR Brass

PACKING AND SEATS:

Series 78Y, 78T: PTFE

PACKING NUT:

Series 78Y, 78T: Brass

BALL:

Series 78Y: Plated Brass

HANDLE:

Series 78Y, 78T: Steel with vinyl grip

STRAINER:

Series 78Y: Stainless steel, 20 mesh

STRAINER SEAL :

Series 78Y: EPDM o-ring

KOIL-KIT™ Coil Pack

SERIES 799/79V
SERIES 78Y/78T/78U AND COIL HOSES

SERIES 78Y Y-Strainer/Ball Valve Combination
 ½"/15 mm through 2"/50 mm Sizes

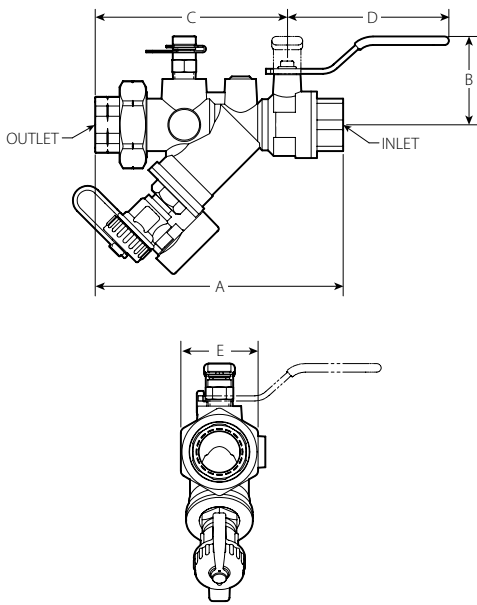


The Series 78Y Y-Strainer/Ball Valve Combination provides a simplified, quality terminal hookup that protects both coils and thermostatic control valves from pipe scale, sand or weld slag. The Series 78Y features a 20 mesh stainless steel strainer (removable without breaking the line), a blow-out proof valve stem, Teflon® packing, plated ball and a strainer-blowdown & drain valve with hose thread, cap & retainer. Equipped standard with a pressure/temperature port, an extra plugged port on top, and a union end with tailpiece. Available end connections are female thread by female thread; sweat by sweat; female by sweat; sweat by thread; PermaLynx by PermaLynx.

Rated up to 400psi/2758kPa and 230°F/110°C.

Notes:

Optional tailpieces must be ordered for double reductions and for changing end configurations from sweat to threaded or threaded to sweat. If needed, specify tailpiece option when ordering.



Nominal Size		Dimensions							Approx. Weight Each
		Inlet/Outlet Options*		B Inches mm	C Inches mm	D Inches mm	E Inches mm		
INLET Inches mm	OUTLET Inches mm	A Sweat or Female Threaded End Inches/mm	A PermaLynx End Inches/mm						
½ 15	x	½	5.1	7.30	1.9	3.8	4.0	1.5	1.7
		15	130	185	49	97	100	38	0.8
¾ 20	x	½	5.9	8.79	2.0	4.5	4.0	1.8	2.4
		15	150	223	51	114	100	46	1.1
		¾	6.1	9.47	2.0	4.6	4.0	1.8	2.4
		20	155	241	51	117	100	46	1.1
1 25	x	½	6.1	9.30	2.0	4.5	4.0	1.8	2.4
		15	155	236	51	114	100	46	1.1
		¾	6.2	9.98	2.0	4.6	4.0	1.8	2.4
		20	157	254	51	117	100	46	1.1
1¼ 32	x	1	6.4	10.71	2.0	4.9	4.0	1.8	2.4
		25	163	272	51	124	100	46	1.1
		¾	7.8	11.47	2.4	5.9	5.3	2.6	5.4
		20	198	291	61	150	135	66	2.4
1½ 40	x	1	8.0	11.98	2.4	6.1	5.3	2.6	5.4
		25	203	304	61	155	135	66	2.4
		1¼	8.0	11.97	2.4	6.1	5.3	2.6	5.3
		32	203	304	61	155	135	66	2.4
2 50	x	1	8.1	12.21	2.4	6.1	5.3	2.6	5.4
		25	206	310	61	155	135	66	2.4
		1¼	8.1	12.21	2.4	6.1	5.3	2.6	5.4
		32	206	310	61	155	135	66	2.4
2 50	x	1½	8.3	12.79	2.4	6.3	5.3	2.6	5.4
		40	211	325	61	160	135	66	2.4
		1¼	11.2	-	3.1	8.5	5.9	3.3	11.3
		32	284	-	79	216	151	84	5.1
2 50	x	1½	11.2	-	3.1	8.5	5.9	3.3	11.5
		40	284	-	79	216	151	84	5.2
		2	11.2	-	3.1	8.5	5.9	3.3	11.5
		50	284	-	79	216	151	84	5.2

* The Series 78Y is available with the following end configurations:

- swt x swt union
- swt x fem union
- swt x male union
- fem x swt union
- fem x fem union
- fem x male union
- PermaLynx (Style PL604 Adapter) x swt union
- PermaLynx x fem union
- PermaLynx x male union
- PermaLynx x PermaLynx

KOIL-KIT™ Coil Pack

SERIES 799/79V
SERIES 78Y/78T/78U AND COIL HOSES

SERIES 78T Ball Valve Union Combination
 1/2"/15 mm through 2"/50 mm Sizes

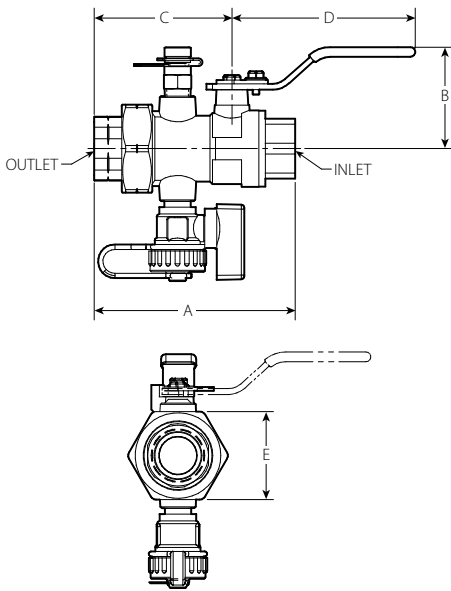


The Series 78T Ball Valve Union Combination is an efficient, simplified, quality terminal hookup that provides coil isolation, a pressure-temperature port, a drain feature, and a union with tailpiece. The Series 78T does not include a strainer. The Series 78T features a blow-out proof valve stem, Teflon® packing, a plated ball and a drain valve with hose thread, cap and retainer. Equipped standard with a pressure/temperature port and a union end with tailpiece.

Rated up to 400 psi/2758kPa and 230°F/110°C.

Notes:

Optional tailpieces must be ordered for double reductions and for changing end configurations from sweat to threaded or threaded to sweat. If needed, specify tailpiece option when ordering.



Nominal Size		Dimensions							Approx. Weight-Each				
		Inlet/Outlet Options*		B Inches mm	C Inches mm	D Inches mm	E Inches mm						
INLET Inches mm	OUTLET Inches mm	A Sweat or Female Threaded End Inches/mm	A PermaLynx End Inches/mm										
1/2 15	x	1/2 15	4.1 105	6.41 163	1.9 49	2.8 71	4.0 100	1.5 37	1.4 0.6				
		3/4 20	4.3 109	7.29 185					2.0 51	2.9 73	4.0 100	1.8 46	1.7 0.8
1 25	x	3/4 20	4.4 112	8.07 205	2.2 55	3.0 75	5.3 135	1.8 46	1.7 0.8				
		1/2 15	4.6 117	7.95 202					2.2 55	3.0 75	5.3 135	1.8 46	2.0 0.9
		3/4 20	4.8 121	8.83 224					2.2 55	3.0 75	5.3 135	1.8 46	2.0 0.9
		1 25	5.0 126	9.39 239					2.2 55	3.3 84	5.3 135	1.8 46	2.1 1.0
1 1/4 32	x	3/4 20	5.2 131	9.21 234	2.4 60	3.2 80	5.3 135	2.6 67	3.6 1.6				
		1 25	5.4 136	9.76 248					2.4 60	3.5 89	5.3 135	2.6 67	3.6 1.6
		1 1/4 32	5.4 136	9.76 248					2.4 60	3.5 89	5.3 135	2.6 67	3.5 1.6
		1 25	5.9 150	10.50 267					2.8 71	3.7 94	5.9 151	2.6 67	4.9 2.2
1 1/2 40	x	1 1/4 32	5.9 150	10.48 266	2.8 71	3.7 94	5.9 151	2.6 67	4.9 2.2				
		1 25	6.1 155	10.91 277					2.8 71	3.9 99	5.9 151	2.6 67	4.9 2.2
		1 1/2 40	6.9 174	-					3.0 77	3.8 97	5.9 151	3.3 83	7.1 3.2
		2 50	6.9 174	-					3.0 77	4.0 102	5.9 151	3.3 83	7.2 3.3
2 50	x	2 50	6.9 174	-	3.0 77	4.1 104	5.9 151	3.3 83	7.3 3.3				

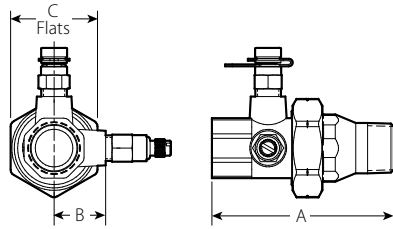
* The Series 78T is available with the following end configurations:

- swt x swt union
- swt x fem union
- swt x male union
- fem x swt union
- fem x fem union
- fem x male union
- PermaLynx (Style PL604 Adapter) x swt union
- PermaLynx x fem union
- PermaLynx x male union
- PermaLynx x PermaLynx

KOIL-KIT™ Coil Pack

SERIES 799/79V
SERIES 78Y/78T/78U AND COIL HOSES

SERIES 78U Union Port Fitting
 ½"/15mm through 2"/50mm Sizes



The Series 78U Union Port Fitting provides a simplified, quality terminal hookup for installation at coil outlet. The Series 78U features a port section equipped standard with a manual air vent, pressure/temperature port, union and male threaded tailpiece. This configuration allows for easy venting of the coil, pressure and temperature readings, and easy thermostatic valve assembly. The Series 78U is equipped with an EPDM o-ring.

Rated up to 400psi/2758kPa and 230°F/110°C.

Notes:

Optional tailpieces must be ordered for double or triple reductions and for changing end configurations from sweat to threaded or threaded to sweat. If needed, specify tailpiece option when ordering.

Size		Dimensions				Approx. Weight Each
INLET Inches mm	OUTLET Inches mm	Inlet Options*		B Inches mm	C Inches mm	Lbs. Kg.
		A Sweat or Female Threaded End Inches/mm	A PermaLynx End Inches/mm			
½ 15	x 15	3.48 89	4.66 118	0.84 21	1.46 37	0.7 0.3
		¾ 20	x 15	3.87 98	5.63 143	1.08 27
1 25	x 20			3.87 98	5.63 143	1.08 27
		1 25	x 25	4.03 102	6.10 155	1.08 27
1 25	x 20			4.03 102	6.10 155	1.08 27
		1 25	x 1	4.14 105	6.20 158	1.08 27
1¼ 32	x 15			4.36 111	6.37 162	1.46 37
		1¼ 32	x 20	4.36 111	6.37 162	1.46 37
1¼ 32	x 25			4.36 111	6.37 162	1.46 37
		1¼ 32	x 1¼	4.19 106	6.37 162	1.46 37
1½ 40	x ¾			4.19 106	6.61 168	1.46 37
		1½ 40	x 20	4.19 106	6.61 168	1.46 36
1½ 40	x 1¼			4.19 106	6.61 168	1.46 37
		1½ 40	x 32	4.19 106	6.61 168	1.46 37
1½ 40	x 1½			4.40 112	6.81 173	1.46 37
		2 50	x 40	4.47 114	-	1.76 45
2 50	x 25			4.47 114	-	1.76 45
		2 50	x 1¼	4.47 114	-	1.76 45
2 50	x 32			4.47 114	-	1.76 45
		2 50	x 40	4.47 114	-	1.76 45
2 50	x 2			4.47 114	-	1.76 45

* The Series 7U is available with the following end configurations:

- swt x swt union
- swt x fem union
- swt x male union
- fem x swt union
- fem x fem union
- fem x male union
- PermaLynx (Style PL604 Adapter) x swt union
- PermaLynx x fem union
- PermaLynx x male union

KOIL-KIT™ Coil Pack

SERIES 799/79V
SERIES 78Y/78T/78U AND COIL HOSES

COIL HOSE

½"/15 mm through 2"/50 mm Sizes



Victaulic Coil Hoses feature a stainless steel braided hose and a synthetic polymer core with stainless ferrules. Victaulic Coil Hoses are available as male x female swivel and male x male swivel. Victaulic Coil Hoses are available in three lengths: 12"/300 mm, 24"/610 mm or 36"/914 mm. Specify choice when ordering.

Rated up to 230°F/110°C.

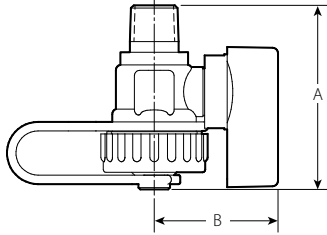
Size	Inlet Options		PSI/ kPa	Bend Radius Inches mm	Length Inches mm	Approx. Weight Each
	A Male End Thread	B NPSM MNPT Swivel Union				Lbs. Kg.
½ 15	½ NPT	½	375 2585	2.6 66.7	12	0.3
					300	0.1
					24	0.5
					610	0.2
					36	0.7
914	0.3					
¾ 20	¾ NPT	¾	300 2068	4.5 114.3	12	0.6
					300	0.3
					24	1.0
					610	0.5
					36	1.5
914	0.7					
1 25	1 NPT	1	300 2068	5.5 139.7	12	1.0
					300	0.5
					24	1.5
					610	0.7
					36	2.3
914	1.0					
1¼ 32	1¼ NPT	1¼	225 1550	6.8 171.5	12	1.2
					300	0.5
					24	2.0
					610	0.9
					36	3.0
914	1.4					
1½ 40	1½ NPT	1½	150 1034	8.4 212.7	12	2.2
					300	1.0
					24	4.4
					610	2.0
					36	6.6
914	3.0					
2 50	2 NPT	2	150 1034	11.3 285.8	12	2.5
					300	1.1
					24	4.8
					610	2.2
					36	7.2
914	3.3					

KOIL-KIT™ Coil Pack

SERIES 799/79V
SERIES 78Y/78T/78U AND COIL HOSES

HOSE END DRAIN VALVE

For Series 78Y, 78T & 78U



A separate drain kit with connection is available for the Series 78Y, 78T and 78U in sizes ½ – 2"/15 – 50mm.

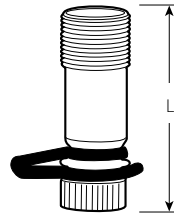
Available in two sizes: ½" and ¼" connections.

Kit must be field mounted.

Style	Size NPT Inches/mm	Dimensions		Part Code
		A Inches/mm	B Inches/mm	
78Y/78T	¼	2.04	1.37	P-002-78Y-DRN
	6	52	35	
	½	2.74	1.53	P-004-78Y-DRN
	13	70	39	

PROBE PORT

For Series 78Y, 78T & 78U



Series	Size Inches/mm	Part Code	Dimension
			L Inches/mm
78Y/78U	½ – ¾ 15 – 20	P-002-78Y-PTP	1.55 39

PORT EXTENDER

For Series 78Y, 78T & 78U



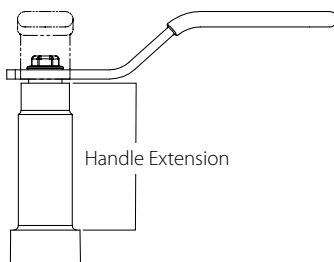
The port extender is used to extend accessories to clear 2"/50mm or 4"/100 mm insulation (M x F ¼" or ⅜").

Extends probe port and air vent.

Length Inches/mm	Part Code
4 100	P-000-78Y-4XT

HANDLE EXTENSION

For Series 78Y & 78T



Handle extension for use on chilled water to clear 2"/50mm or 4"/100 mm insulation.

Length Inches/mm	Size Inches/mm	Part Code
4 100	1 - 1¼ 25 - 32	P-010-78Y-2HL
	1½ - 2 40 - 50	P-020-78Y-2HL
	½ – ¾ 15 - 20	P-004-78Y-4HL
4 100	1 - 1¼ 25 - 32	P-010-78Y-4HL
	1½ - 2 40 - 50	P-020-78Y-4HL

KOIL-KIT™ Coil Pack

SERIES 799/79V

SERIES 78Y/78T/78U AND COIL HOSES

AIR VENT

For Series 78Y & 78U



- Partcode= P-002-78U-MAV

TYPICAL SPECIFICATIONS

Series 799 KOIL-KIT™ Coil Pack: Shall include the following components: Series 78T or 78Y, two optional coil hoses, Series 78U and a balancing valve (Series 78K or TA Series 786 or TA Series 787) sized to flow. The Series 78T, 78Y, coil hoses, Series 78U and Series 78K shall be provided by one manufacturer, Victaulic. The TA Series 786 and 787 shall be manufactured by Tour and Andersson and provided by Victaulic. Note: The pressure rating of a KOIL-KIT Coil Pack is contingent upon the pressure rating of the balancing valve and/or the coil hose options. Please refer to submittal 08.16 for balancing valves and the coil hose section of submittal 08.30 for product information and ratings

Series 79V KOIL-KIT Coil Pack with ATC Valve: Shall include the following components: Series 78T or 78Y, two optional coil hoses, Series 78U and a balancing valve (Series 78K or TA Series 786 or TA Series 787) sized to flow and an ATC valve. The Series 78T, 78Y, coil hoses, Series 78U and Series 78K shall be provided by one manufacturer, Victaulic. The ATC valve is provided by a supplier for the contractor's choosing. The TA Series 786 and 787 shall be manufactured by Tour and Andersson and provided by Victaulic. When selecting a Victaulic KOIL-KIT Coil Pack with ATC valve, the outlet of the Series 78U and the inlet of the Series 78K must meet the connection requirements of the ATC valve, otherwise Victaulic will not preconnect the ATC valve and final assembly will be required in the field. Note: The pressure rating of a KOIL-KIT Coil Pack is contingent upon the pressure rating of the balancing valve and/or the coil hose options. Please refer to submittal 08.16 for balancing valves and the coil hose section of submittal 08.30 for product information and ratings.

Series 78Y Strainer/Ball Valve Combination ½" through 2": 400 psi/2758 kPa maximum CWP, available as swt x swt; swt x fem; swt x male; fem x swt; fem x fem; fem x male; PermaLynx (Style PL604 Adapter) x swt; PermaLynx x fem; PermaLynx x male; PermaLynx x PermaLynx. DZR brass body consisting of a full port ball valve and strainer with flow measuring ports. Ball valve shall be complete with double o-ring seal, plated ball, blow-out proof stem, and steel handle with vinyl grip. Strainer shall be Y-pattern, with 20 mesh stainless steel screen and blowdown port. Strainer/ball combination shall provide a simplified hookup to protect the coil and modulating valve. Suitable for operating temperatures up to 230°F/110°C. The Series 78Y shall be provided by Victaulic.

Series 78T Ball Valve ½" through 2": 400 psi/2758 kPa maximum CWP, available as swt x swt; swt x fem; swt x male; fem x swt; fem x fem; fem x male; PermaLynx (Style PL604 Adapter) x swt; PermaLynx x fem; PermaLynx x male; PermaLynx x PermaLynx. DZR brass body consisting of a full port ball valve with flow measuring port. Ball valve shall be complete with double o-ring seal, plated ball, blow-out proof stem, and steel handle with vinyl grip. Ball valve shall provide a simplified hookup to protect the coil and modulating valve. Suitable for operating temperatures up to 230°F/110°C. The Series 78T shall be provided by Victaulic.

Coil Hoses ½" through 2": 375 psi/2585 kPa maximum CWP (varies by size), stainless steel braided hose and a synthetic polymer core with stainless ferrules; available as male by female swivel and male by male swivel and in three lengths: 12" or 24" or 36". Suitable for operating temperatures up to 230°F/110°C. The Coil Hoses shall be provided by Victaulic.

Series 78U Union Port Fitting ½" through 2": 400 psi/2758 kPa maximum CWP, available as swt x swt; swt x fem; swt x male; fem x swt; fem x fem; fem x male; PermaLynx (Style PL604 Adapter) x swt; PermaLynx x fem; PermaLynx x male. DZR brass body with manual air vent port and pressure/temperature port, with EPDM seals. Union port fitting shall provide a simplified terminal hookup for installation at coil outlets. Suitable for operating temperatures to 230°F/110°C. The Series 78U shall be provided by Victaulic.

Balancing Meter: If a balancing meter is required to be left with the owner after commissioning, the balancing meter shall be from the same manufacturer as the balancing valves, Victaulic/Tour and Andersson. The Series 734 TA-Scope, or TA Series 73M CMI Pressure Differential Meter are acceptable. Needle gauge type meters will not be allowed.

Series 799/79V KOIL-KIT™ Coil Pack

CONTRACTOR ORDER FORM (A)

This form must be filled out completely with each order. Once completed, FAX this form to your local distributor.

(See instruction No. 2 for faxing bag and tag information as required.)

Bill To:

Company Name	
Contact Name	
Address	
City	State/Province
Country	Zip/Postal Code
Phone No.	Fax No.
Email	

Ship To:

Order No.	Date
Company Name	
Contact Name	
Address	
City	State/Province
Country	Zip/Postal Code
Phone No.	
Job Name/Tag	
<input type="checkbox"/> I would like my ATC valve assembled with my KOIL-KIT. If Checked, ATC valve must be marked with the Order Tracking No. supplied below and shipped direct to: Victaulic Co. c/o ATC Receiving 2010 Enterprise Dr. Leland, NC 28451 Also if checked above, Contractor must read and sign below. <i>In consideration for integrating the ATC valve, Contractor agrees to defend, indemnify and hold harmless Victaulic for any claims of loss or damage (to persons, property or otherwise) relating to the ATC valve.</i>	
x _____ (Contractor signature)	
ATC Supplier (required if applicable)	

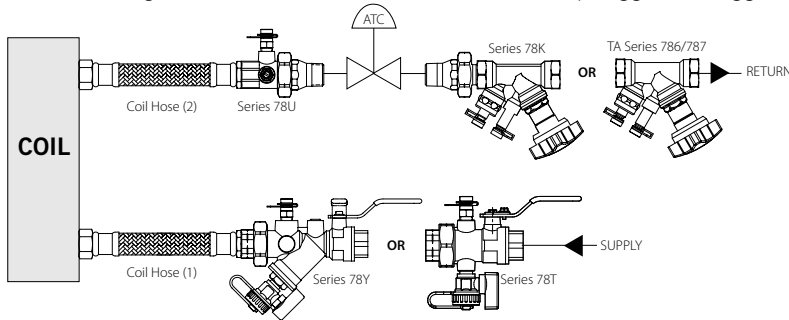
Use the illustration and checklist below to build your Series 799/79V KOIL-KIT Coil Pack.

1. Fill in the blank box with the number of KOIL-KIT Coil Packs (as specified below):

If units of a different size, end configuration and valve option are required, please fax additional form(s) with their specifications separately.

2. Check here, if Bag and Tag is required.

If checked, you must fax your distributor a separate sheet with Bag and Tag information included or the order will not ship bagged and tagged.



Select one drain valve option from below.		
<input type="checkbox"/> Series 78T or <input type="checkbox"/> Series 78Y		
Inlet	Outlet	End Config.
<input type="checkbox"/> 1/2	<input type="checkbox"/> 1/2	<input type="checkbox"/> swt x swt union
<input type="checkbox"/> 3/4	<input type="checkbox"/> 3/4	<input type="checkbox"/> swt x fem union
<input type="checkbox"/> 1	<input type="checkbox"/> 1	<input type="checkbox"/> swt x male union
<input type="checkbox"/> 1 1/4	<input type="checkbox"/> 1 1/4	<input type="checkbox"/> fem x swt union
<input type="checkbox"/> 1 1/2	<input type="checkbox"/> 1 1/2	<input type="checkbox"/> fem x fem union
<input type="checkbox"/> 2	<input type="checkbox"/> 2	<input type="checkbox"/> fem x male union
		<input type="checkbox"/> Plynx x swt union
		<input type="checkbox"/> Plynx x fem union
		<input type="checkbox"/> Plynx x male union
		<input type="checkbox"/> Plynx x Plynx
Double reduction available		

Select coil hose option.	
<input type="checkbox"/> Coil Hose (1)	
Length	End Config.
<input type="checkbox"/> 12"	<input type="checkbox"/> male x fem swivel
<input type="checkbox"/> 24"	<input type="checkbox"/> male x male swivel
<input type="checkbox"/> 36"	
<input type="checkbox"/> Coil Hose (2)	
Length	End Config.
<input type="checkbox"/> 12"	<input type="checkbox"/> male x fem swivel
<input type="checkbox"/> 24"	<input type="checkbox"/> male x male swivel
<input type="checkbox"/> 36"	
<input type="checkbox"/> Connect hoses	

Select port fitting size and end config.		
<input type="checkbox"/> Series 78U		
Inlet	Outlet	End Config.
<input type="checkbox"/> 1/2	<input type="checkbox"/> 1/2	<input type="checkbox"/> swt x swt union
<input type="checkbox"/> 3/4	<input type="checkbox"/> 3/4	<input type="checkbox"/> swt x fem union
<input type="checkbox"/> 1	<input type="checkbox"/> 1	<input type="checkbox"/> swt x male union
<input type="checkbox"/> 1 1/4	<input type="checkbox"/> 1 1/4	<input type="checkbox"/> fem x swt union
<input type="checkbox"/> 1 1/2	<input type="checkbox"/> 1 1/2	<input type="checkbox"/> fem x fem union
<input type="checkbox"/> 2	<input type="checkbox"/> 2	<input type="checkbox"/> fem x male union
		<input type="checkbox"/> Plynx x swt union
		<input type="checkbox"/> Plynx x fem union
		<input type="checkbox"/> Plynx x male union
Triple reduction available		

Select one balancing valve option from below.						
<input type="checkbox"/> Series 78K			<input type="checkbox"/> TA Series 786		<input type="checkbox"/> TA Series 787	
Inlet	Outlet	End Config.	Inlet x Outlet	End Config.	Inlet x Outlet	End Config.
<input type="checkbox"/> 1/2	<input type="checkbox"/> 1/2	<input type="checkbox"/> male union x swt	<input type="checkbox"/> 1/2	<input type="checkbox"/> swt x swt	<input type="checkbox"/> 1/2	<input type="checkbox"/> fem x fem
<input type="checkbox"/> 3/4	<input type="checkbox"/> 3/4	<input type="checkbox"/> male union x fem	<input type="checkbox"/> 3/4		<input type="checkbox"/> 3/4	
<input type="checkbox"/> 1	<input type="checkbox"/> 1	<input type="checkbox"/> male union x Plynx	<input type="checkbox"/> 1		<input type="checkbox"/> 1	
<input type="checkbox"/> 1 1/4	<input type="checkbox"/> 1 1/4	<input type="checkbox"/> fem union x swt	<input type="checkbox"/> 1 1/4		<input type="checkbox"/> 1 1/4	
<input type="checkbox"/> 1 1/2	<input type="checkbox"/> 1 1/2	<input type="checkbox"/> fem union x fem	<input type="checkbox"/> 1 1/2		<input type="checkbox"/> 1 1/2	
<input type="checkbox"/> 2	<input type="checkbox"/> 2	<input type="checkbox"/> fem union x Plynx	<input type="checkbox"/> 2		<input type="checkbox"/> 2	
Triple reduction inlet available						

KOIL-KIT™ Coil Pack

SERIES 799/79V

SERIES 78Y/78T/78U AND COIL HOSES

WARRANTY

Refer to the Warranty section of the current Price List or contact Victaulic for details.

NOTE

This product shall be manufactured by Victaulic or to Victaulic specifications. All products to be installed in accordance with current Victaulic installation/assembly instructions. Victaulic reserves the right to change product specifications, designs and standard equipment without notice and without incurring obligations.

For complete contact information, visit www.victaulic.com

08.30 5685 REV F UPDATED 2/2011

VICTAULIC IS A REGISTERED TRADEMARK OF VICTAULIC COMPANY. © 2011 VICTAULIC COMPANY. ALL RIGHTS RESERVED.

08.30

