

BILTMORE SERIES 900 Pressure Balancing Mixing Valves / Model 3

Product Specification

Description ■

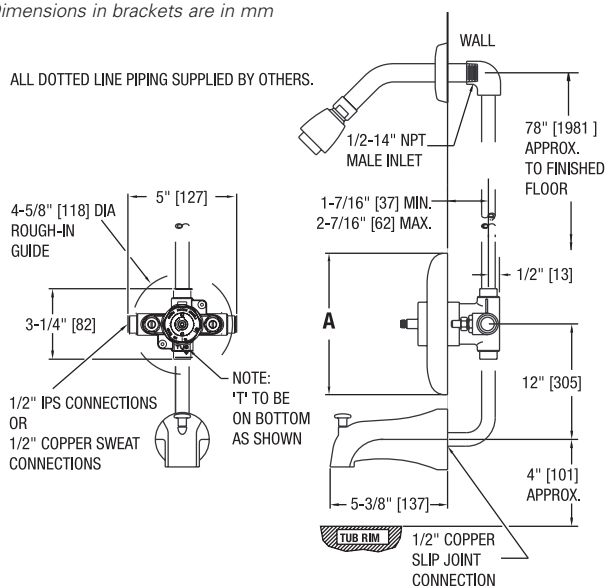
Concealed, 4-port, pressure balancing water mixing valve for use in shower and tub/shower applications. Cast-brass body features diaphragm-type pressure balancing mechanism. Internal parts constructed of lime-resistant Delrin 500® for years of trouble-free service. Built-in adjustable temperature limit stop reduces the chance of thermal shock from overadjustment of handle. Cast-in checkstops reduce installation time. Unique construction allows for shallow wall installation — in as little as 51mm (2"). Back-to-back installation possible in only 102 mm (4") without costly cross-piping.

Specifications ■

Inlet Connections	
Type G	1/2" NPT Inlets and Outlets
Type H	1/2" NPT Sweat End Inlets and Outlets
Capacity	15 L/min @ 310 kPa (4.6 gpm @ 45psi differential)
Maximum Static Pressure	862 kPa [125psig]
Maximum Inlet Temperature	82°C [180°F]
Handle Rotation Stop	Standard and Adjustable
Shipping Weight	Approx. 1.44 kg [3.2 lbs.]
Approval Standard	CSA B125, ASSE 1016
Listing	ASSE 1016, IAPMO cUPC

Dimensions: Tub and Shower Installation ■

Note:
Dimensions are shown ±1/2"
Dimensions in brackets are in mm

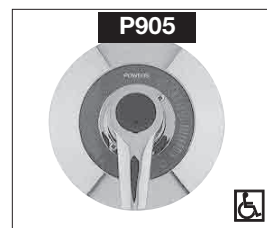


Powers continues to strive for improved quality in product performance and, therefore, reserves the right of price, product or design modification without notice or obligation.



Valve trim features:

- Polished stainless steel faceplate
- ADA-compliant metal lever handle for easy adjustment *



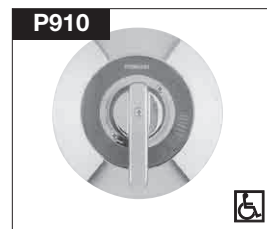
Valve trim features:

- Chrome-plated ABS faceplate with color graphic insert for temperature indication
- Stylish ABS lever handle complies with ADA for easy adjustment *



Valve trim features:

- Chrome-plated ABS faceplate with color graphic insert for temperature indication
- Stylish lucite handle enhances any installation



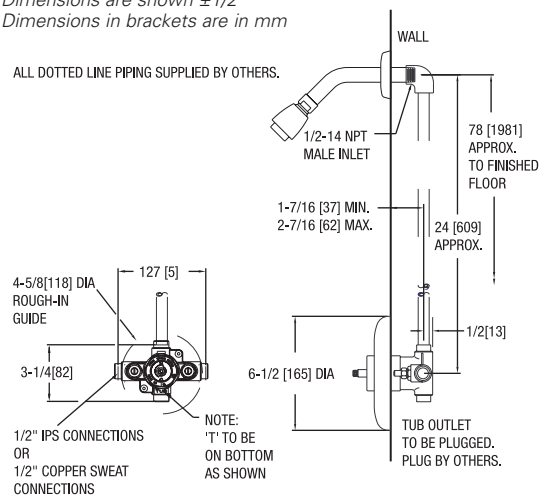
Valve trim features:

- Chrome-plated ABS faceplate with color graphic insert for temperature indication
- ADA-compliant metal lever handle provides easy adjustment *



Dimensions: Shower Only Installation ■

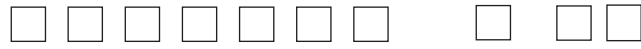
Note:
Dimensions are shown ±1/2"
Dimensions in brackets are in mm



* **Note:** When used together, Powers lever handle and hand shower with glidebar meet ADA compliance standards. For complete ADA-required heights and other information on installing an ADA-compliant bathing system, refer to the ADAAG (Americans with Disabilities Act Accessibility Guidelines).

How To Specify ■

Shower and Tub/Shower Systems for Series 900 Valves



Order Code

Valves

See front page for selection of valve order code

Showerheads, Arm and Flange

Below showerheads include arm and flange:

- Economizer, Chrome-Plated ABS..... **J1**
- Standard, Chrome-Plated Brass..... **K1**
- Deluxe, Chrome-Plated Brass..... **M1**
- Low Flow Shower (1.5 gpm), Arm & Flange..... **G1**
- Low Flow Shower (1.5 gpm), Arm & Flange..... **H1**
- Arm and Flange Only (no showerhead)..... **O1**
- Economizer, Arm
& Flange & Hi-Temp Shutoff..... **J4**
- Standard Arm & Flange & Hi-Temp Shutoff..... **K4**
- Deluxe Arm & Flange & Hi-Temp Shutoff..... **M4**
- Low Flow (1.5 gpm) Shower,
Arm & Flange & Hi-Temp Shutoff..... **G4**
- Low Flow (1.5gpm) Shower,
Arm & Flange & Hi-Temp Shutoff..... **H4**

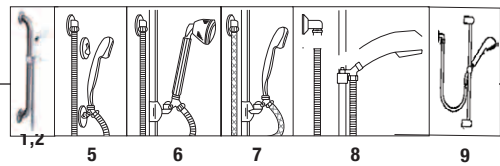
Tub Spouts

- Non-Diverter, Chrome-Plated 1/2" IPS..... **R**
- Diverter, Chrome-Plated 1/2" IPS..... **S**
- Diverter, Chrome-Plated 1/2" Slipfit..... **U**



Hand Shower Systems

- 24" Chrome ADA Wall Grab Bar System..... **1**
- 36" Chrome ADA Wall Grab Bar System..... **2**
- Deluxe, Metal Hose, 30" Slide Bar..... **3**
- Professional, Vinyl Hose, 30" Slide Bar..... **4**
- Standard, Metal Hose, Two Wall Hooks..... **5**
- Deluxe, Metal Hose, 24" Slide Bar..... **6**
- Professional, Vinyl Hose, 24" Slide Bar..... **7**
- Standard Plus, Metal Hose, 24" Slide Bar..... **8**
- European, Metal Hose, 23" Slide Bar..... **9**
- Low Flow (1.5 gpm) Metal Hose, 30" Glide Rail..... **L**
- Professional, Metal Hose, 30" Glide Rail..... **N**



Miscellaneous Accessories

- Vacuum Breaker, Elevated, Chrome-Plated..... **V**
- Vacuum Breaker, In-Line..... **W**
- Diverter, Concealed, 1/2" IP..... **Y**
- Diverter, Concealed, Deluxe ABS Handle..... **A**
- Diverter, Concealed, Deluxe Metal Handle..... **B**
- Diverter, Exposed, Showerhead Type..... **Z**

ENGINEERING APPROVAL

Project: _____
 Contractor: _____
 Architect/Engineer: _____



A Watts Water Technologies Company



USA: Phone: 1.800.669.5430 • Fax 1.847.229.0526 • www.powerscontrols.com

Canada: Phone: 1.888.208.8927 • Fax 1.888.479.2887 • www.powerscontrols.ca