

LAV SHIELD®

Overview

Lav Shield® represents the “next generation” of ADA compliant undersink protection by meeting mandated knee and toe clearance requirements for wheelchair users. Durable, single-piece construction prevents pipe and component tampering, and conceals all lavatory piping, electronic faucet connections, mixing valves, trap primers, and instantaneous water heaters*— a truly attractive alternative to individual component covers that will satisfy even the most discriminating designer.

TOTAL ENCLOSURE DESIGN

Heavy-duty, vandal-resistant enclosure shields all piping, electronic faucet components, mixing valves, trap primers, and instantaneous water heaters*. Vandal-resistant fasteners are available upon request.

SANITARY ADVANTAGES

Lav Shield contains an antimicrobial additive to resist fungal and bacterial growth making the Lav Shield an excellent cover to use in medical and health care facilities. Installing Lav Shield in these facilities eliminates the need to sanitize P-Traps, angle stops, supply lines and electrical components.

ADA-CONFORMING ATTRACTIVE PROFILE

The Lav Shield tastefully conceals all unsightly plumbing and components while satisfying ADA dimensional requirements.

STRICT CODE COMPLIANCE MINIMIZES RISK

The Lav Shield complies with ASME A112.18.9-2001, ADA article 4.19.4 (606.5), California P 1504B, ANSI A117.1, BOCA P 1203.4, and other state and local regulations.

EASY-TO-SERVICE SINGLE-PIECE CONFIGURATION

The Lav Shield may be quickly removed for convenient, unhindered access to all plumbing and mechanical components. Reinstallation takes just minutes.

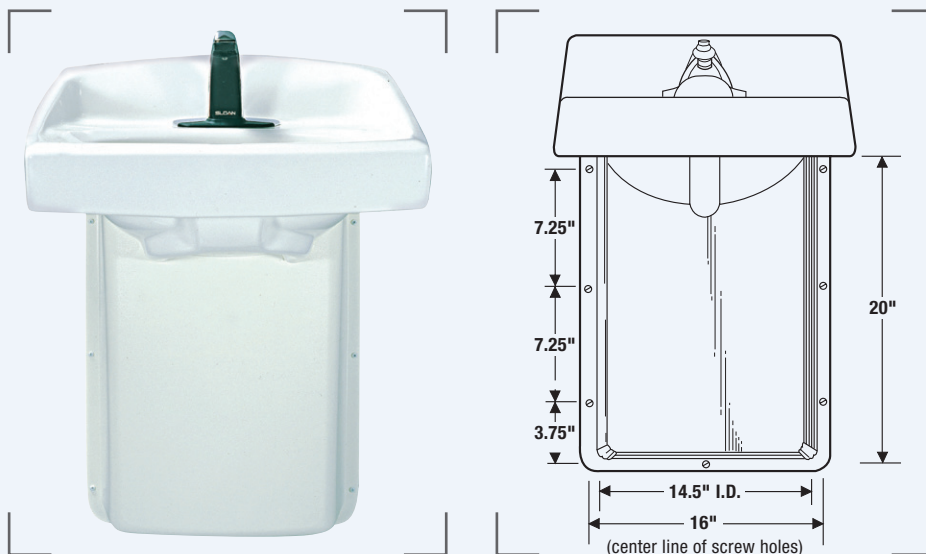
WIDE VARIETY OF CUSTOM OPTIONS

Available in our standard field fit model which allows contractor to custom fit Lav Shield to underside of lavatory. For an even faster and more tailored fit, Lav Shield can be purchased factory pre-cut to the underside geometry of the actual lavatory being installed. Pre-cut models are listed on following page.

RIGID HIGH-IMPACT, STAIN-RESISTANT PVC

The Lav Shield is molded from impact-resistant, stain-resistant and chemical-resistant rigid vinyl for durability, safety and long life.

NOW AVAILABLE IN
CUSTOM FINISHES



MADE IN THE USA



ADA COMPLIANT

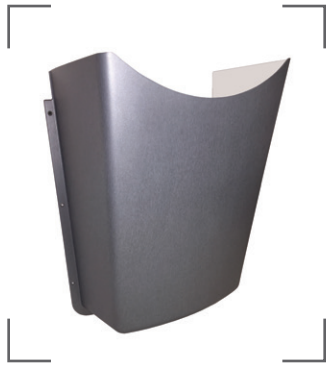
ATTRACTIVE DESIGNER-STYLE,
TAMPER-RESISTANT, THE ULTIMATE
ADA-ENGINEERED PROTECTIVE
LAVATORY ENCLOSURE

*Lavatory “rough in” should be considered to allow mounting room for instantaneous water heater behind enclosure. Contact TRUEBRO for specifications.

LAVATORY PROTECTIVE ENCLOSURES

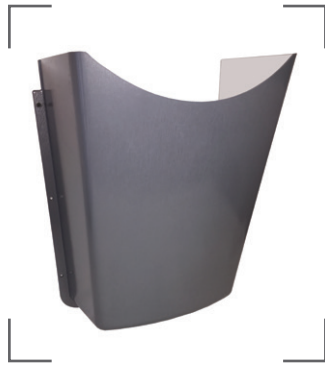
Custom Finish Lav Shields

The already attractive ADA compliant Lav Shield is now available in 10+ custom finishes to meet any designer needs. Custom finish Lav Shields are only available in the standard, fit to field, Lav Shield.



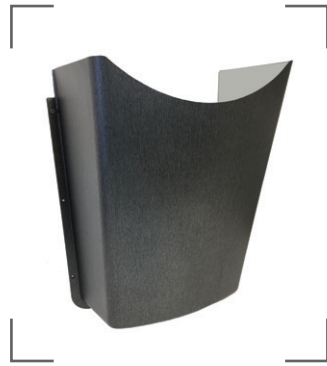
ARCHITECTURAL BRUSHED ALUMINUM

Product: 82721
Model: WTP-907



STAINLESS STEEL

Product: 82722
Model: WTP-270



STAINLESS STEEL OVER BLACK

Product: 82723
Model: WTP-270B



ITALIAN LEATHER ESPRESSO

Product: 82736
Model: WTP-715



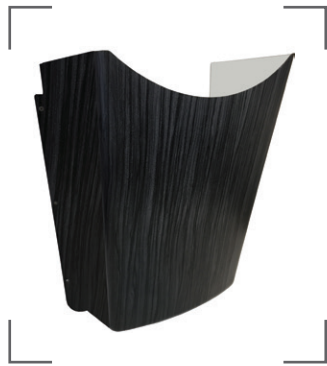
ROSEWOOD

Product: 82726
Model: WTP-488



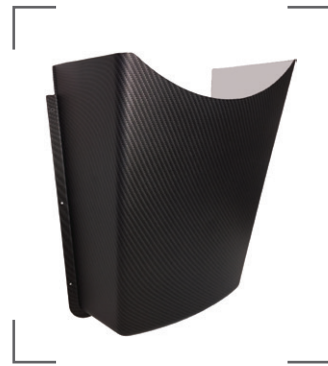
BURLWOOD

Product: 82727
Model: WTP-496



MONACO WALNUT

Product: 82728
Model: WTP-538



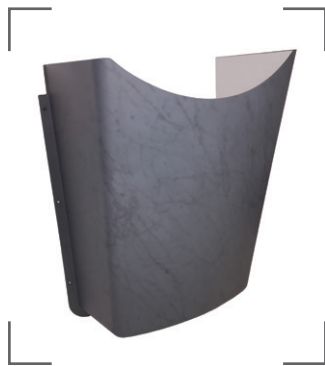
SPORT CARBON

Product: 82741
Model: WTP-940



BLACK MARBLE

Product: 82731
Model: WTP-512



GRAY MARBLE

Product: 82732
Model: WTP-659G



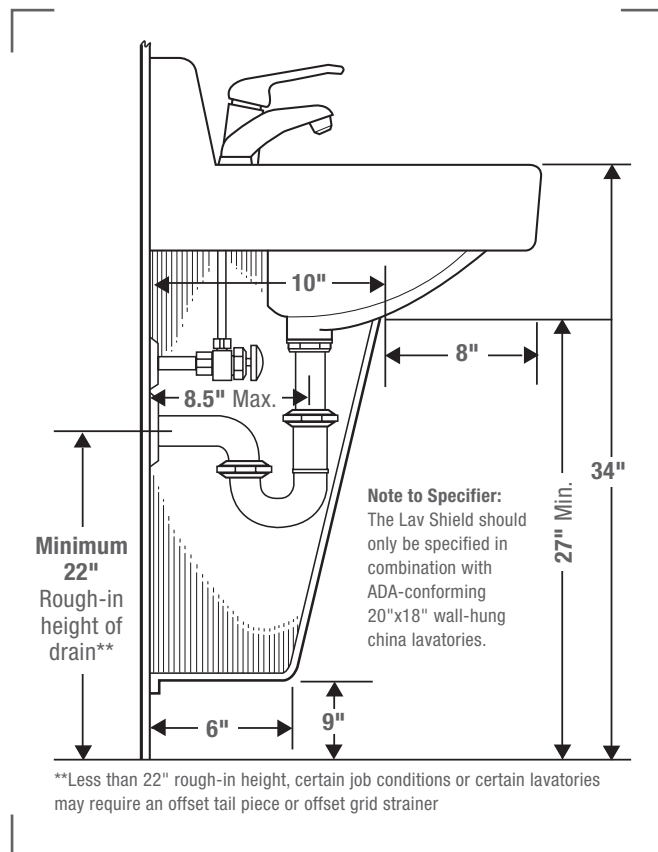
ARCHITECTURAL WHITE MARBLE

Product: 82733
Model: WTP-659W

LAV SHIELD® LAVATORY PROTECTIVE ENCLOSURES

SPECIFICATIONS

Material	Rigid high-impact, stain-resistant PVC
Nominal Wall	.093"
Finish	Fine haircell
UV Protection	Will not fade or discolor
Durability	Virtually indestructible — tamper resistant screws available
Fasteners	7 stainless steel screws and wall anchors provided
Color	China white
Compatibility	Fits all ADA-conforming 20"x18" wall-hung lavatories
Paintability	Acrylic enamel or latex
UL Listing	In accordance with ADA Article 4.19.4 (606.5)
Flammability	UL-94 V-0, 5VA ASTM D-635-91 4 (ATB) 2.1 (AEB)
Bacterial/Fungal	ASTM G21 and G22 — Result 0



Note: Model numbers listed on this page are for single pack Lav Shields. For bulk pack items, change the 1 in the model to a 4.

STANDARD MODELS

Model #20181	Standard (For field fit)
---------------------	--------------------------

CUSTOM FACTORY PRE-CUT MODELS

Pre-cut models are not returnable

Model: 2018-AS-C1	American Standard Comrade
Model: 2018-AS-D1	American Standard Declyn
Model: 2018-AS-L1	American Standard Lucerne
Model: 2018-AS-M1	American Standard Muro
Model: 2018-AS-OL1	American Standard Lucerne (old)
Model: 2018-AS-P1	American Standard Penlyn
Model: 2018-AS-R1	American Standard Roxalyn
Model: 2018-BD-I1	Bradley Imperial
Model: 2018-BR-M1	Briggs Milton
Model: 2018-BR-W1	Briggs Whitman
Model: 2018-CR-H1	Crane Harwich
Model: 2018-CR-N1	Crane Norwich
Model: 2018-CR-W1	Crane Westmont
Model: 2018-CR-Y1	Crane Yorkshire
Model: 2018-EL-B1	Eljer Blair
Model: 2018-EL-D1	Eljer Delwyn
Model: 2018-EL-M1	Eljer Mayburne
Model: 2018-EL-S1	Eljer Signature
Model: 2018-EL-U1	Eljer Bucknell
Model: 2018-GR-H1	Gerber Hayes
Model: 018-GR-M1	Gerber Monticello
Model: 2018-GR-P1	Gerber Plymouth
Model: 2018-KO-B1	Kohler Brenham
Model: 2018-KO-C1	Kohler Chesapeake
Model: 2018-KO-G1	Kohler Greenwich, Model 202
Model: 2018-KON-G1	Kohler Greenwich, Model 203
Model: 2018-KO-H1	Kohler Hudson
Model: 2018-KO-K1	Kohler Kingston
Model: 2018-KO-P1	Kohler Pinoir
Model: 2018-KO-S1	Kohler Soho
Model: 2018-MAN1	Mansfield Grand Isle
Model: 2018-SL-SS1	Sloan SS-3003
Model: 2018-TO-L1	Toto LT307
Model: 2018-ZN-Z1	Zurn Z5344
Model: 2018-ZN-NZ1	Zurn Z5344