



# RSNA-B

Parts List  
11-August-2014



*This parts list is current as of the above revision date.  
See <http://www.rheempartslists.net/92-42800-RSNA-B.pdf> for the current revision.*

Package Air Conditioners

# Table of Contents

Model Explanation .....	Page 3
<b>Parts Numbers</b>	
Panels - Miscellaneous .....	Page 4
Electrical Group .....	Page 5
Fan Group .....	Page 5
Blower Group .....	Page 6
Coil Parts .....	Page 7
Compressor Group .....	Page 8
Heater Kits .....	Page 9
Accessories .....	Page 9
<b>Drawings/Photographs</b>	
Exploded View .....	Page 10
Control Access Panel Detail .....	Page 11
Control Box Assembly .....	Page 12
Blower Assembly .....	Page 13
Evaporator Coil Assembly .....	Page 14
Condenser Coil .....	Page 15
Compressor and Refrigeration Components .....	Page 16
Notes/Disclaimer .....	Page 17

**MODEL NUMBER EXPLANATION**

<b>R</b>	<b>S</b>	<b>N</b>	<b>A</b>	<b>-</b>	<b>B</b>	<b>0</b>	<b>3</b>	<b>6</b>	<b>J</b>	<b>K</b>	<b>10</b>	<b>XXX</b>
<b>1</b>	<b>2</b>	<b>3</b>	<b>4</b>		<b>5</b>		<b>6</b>		<b>7</b>	<b>8</b>	<b>9</b>	<b>10</b>

- |  |  |
|--|--|
| <p><b>1 TRADEBRAND</b></p> <p><b>2 SELF CONTAINED AC</b></p> <p><b>3 EFFICIENCY DESIGNATION</b><br/>N = 13 SEER</p> <p><b>4 DESIGN SERIES</b></p> <p><b>5 TECHNICAL VARIATIONS</b></p> <p><b>6 COOLING CAPACITY (BTU/HR)</b><br/>024 = 24,000                      042 = 42,000<br/>030 = 30,000                      048 = 48,000<br/>036 = 36,000                      060 = 60,000</p> <p><b>7 ELECTRICAL DESIGNATION</b><br/>J = 208-230/1/60<br/>C = 208-230/3/60</p> | <p><b>8 DRIVE PACKAGE</b><br/>K = Direct Drive</p> <p><b>9 RESISTANCE HEAT DESIGNATION</b><br/>000 = No Resistance Heat<br/>010 = 10 KW (024-048)<br/>015 = 15 KW (036-048)</p> <p><b>10 FACTORY INSTALLED OPTIONS</b><br/>AKA = Side Flow</p> |
|--|--|

**SERIAL NUMBER EXPLANATION**

<b>5</b>	<b>2</b>	<b>0</b>	<b>3</b>	<b>F</b>	<b>3</b>	<b>8</b>	<b>0</b>	<b>5</b>	<b>0</b>	<b>0</b>	<b>0</b>	<b>0</b>
	<b>1</b>			<b>2</b>		<b>3</b>		<b>4</b>			<b>5</b>	

- 1 COMPRESSOR IDENTIFICATION NUMBER**
- 2 PRODUCTION LOCATION**  
F = Fort Smith, AR
- 3 WEEK OF PRODUCTION**
- 4 YEAR OF PRODUCTION**
- 5 PRODUCTION NUMBER**

No.	Notes	MODEL TECHNICAL VARIATION COOLING CAPACITY	RSNA B 024	RSNA B 030	RSNA B 036	RSNA B 042	RSNA B 048	RSNA B 060
<b>PANELS, MISCELLANEOUS PARTS</b>								
1		Front Base Pan	AS-58628-07	AS-58628-07	AS-58628-07	AS-58628-07	AS-58628-07	AS-58628-07
2		Base Rail (2)	AE-58562-03	AE-58562-03	AE-58562-03	AE-58562-03	AE-58562-03	AE-58562-03
3		Base Rail (2)	AE-58562-04	AE-58562-04	AE-58562-04	AE-58562-04	AE-58562-04	AE-58562-04
4		Back Base Pan	AS-58607-64	AS-58607-64	AS-58607-64	AS-58607-64	AS-58607-64	AS-58607-64
5		Blower Shelf	AS-58630-01	AS-58630-01	AS-58630-01	AS-58630-01	AS-58630-01	AS-58630-01
6		Blower Shelf Transition	AS-58607-19	AS-58607-19	AS-58607-19	AS-58607-19	AS-58607-19	AS-58607-19
7		Divider Panel	AS-58607-03	AS-58607-03	AS-58607-03	AS-58607-03	AS-58607-03	AS-58607-03
8		Bulkhead Assembly	AS-58607-62	AS-58607-62	AS-58607-55	AS-58607-57	AS-58607-57	AS-58607-57
9		Corner Post	AS-58607-39	AS-58607-39	AS-58607-39	AS-58607-53	AS-58607-53	AS-58607-53
10		Blower Access Panel	AS-58607-09	AS-58607-09	AS-58607-09	AS-58607-47	AS-58607-47	AS-58607-47
11		End Panel	AS-58607-04	AS-58607-04	AS-58607-04	AS-58607-48	AS-58607-48	AS-58607-48
12		Supply Cover - Downflow	AS-58607-06	AS-58607-06	AS-58607-06	AS-58607-06	AS-58607-06	AS-58607-06
12		Supply Cover - Side Option - "AKA"	AS-58607-35	AS-58607-35	AS-58607-35	AS-58607-35	AS-58607-35	AS-58607-35
13		Return Cover - Downflow	AS-58607-05	AS-58607-05	AS-58607-05	AS-58607-05	AS-58607-05	AS-58607-05
13		Return Cover - Side Option "AKA"	AS-58607-34	AS-58607-34	AS-58607-34	AS-58607-34	AS-58607-34	AS-58607-34
14		Top Panel	AS-58607-60	AS-58607-60	AS-58607-58	AS-58607-54	AS-58607-54	AS-58607-54
15		Grille	95-100906-08	95-100906-08	95-100906-08	95-100906-08	95-100906-08	95-100906-08
16		Filter Access Panel	AS-58607-08	AS-58607-08	AS-58607-08	AS-58607-49	AS-58607-49	AS-58607-49
17		Condenser Louver Panel	AS-58607-61	AS-58607-61	AS-58607-61	AS-58607-56	AS-58607-56	AS-58607-56
18		Center Post	AE-58569-06	AE-58569-06	AE-58569-06	AE-58569-08	AE-58569-08	AE-58569-08
19		Control Access Panel	AE-58568-02	AE-58568-02	AE-58568-02	AE-58568-04	AE-58568-04	AE-58568-04
20		Control Box (w/o components)	AE-58597-01	AE-58597-01	AE-58597-01	AE-58597-01	AE-58597-01	AE-58597-01
21		Control Box Cover	AE-58598-01	AE-58598-01	AE-58598-01	AE-58598-01	AE-58598-01	AE-58598-01
22		Blank-Off Plate (No Heat Models Only)	AS-58607-17	AS-58607-17	AS-58607-17	AS-58607-17	AS-58607-17	AS-58607-17
23		Bulkhead Valve (2)	61-22369-04	61-22369-04	61-22369-04	61-22369-04	61-22369-04	61-22369-04
24		Heater Mounting Panel	AS-58607-16	AS-58607-16	AS-58607-16	AS-58607-16	AS-58607-16	AS-58607-16
25		Bulkhead Valve Locknut (2)	63-22368-01	63-22368-01	63-22368-01	63-22368-01	63-22368-01	63-22368-01
		Bulkhead Valve Cap (2)	83-100635-01	83-100635-01	83-100635-01	83-100635-01	83-100635-01	83-100635-01
		Low Voltage Connection Box	AE-58647-01	AE-58647-01	AE-58647-01	AE-58647-01	AE-58647-01	AE-58647-01

No.	Notes	MODEL TECHNICAL VARIATION COOLING CAPACITY ELECTRICAL DESIGNATION	RSNA	RSNA	RSNA	RSNA	RSNA	RSNA	
			B 024 J	B 030 J	B 036 J	B 042 J	B 048 J	B 060 J	
<b>ELECTRICAL GROUP</b>									
31	Stk	Relay - Blower Motor	42-101208-01	42-101208-01	42-101208-01	42-101208-01	42-101208-01	N/A	
32	Stk	Contact	42-42728-03	42-42728-03	42-42728-03	42-42728-03	42-42728-03	42-42728-03	
33		Terminal Strip	45-23591-01	45-23591-01	45-23591-01	45-23591-01	45-23591-01	45-23591-01	
34	Stk	Sequencing Relay	42-21593-05	42-21593-05	42-21593-05	42-21593-05	42-21593-05	N/A	
36	Stk	Transformer	46-18788-07	46-18788-07	46-18788-07	46-18788-07	46-18788-07	46-18788-07	
37		Blower Capacitor	See Blower Group						
38		Ground Lug	45-19000-01	45-19000-01	45-19000-01	45-19000-01	45-19000-01	45-19000-01	
39		Capacitor - Compressor/Fan	See Fan Group						
43	Stk	Limit Control - Blower Shelf	47-25334-01	47-25334-01	47-25334-01	47-25334-01	47-25334-01	47-25334-01	
		ECM Wiring Harness - 16 pin to 3 stripped leads and 1 uninsulated terminal	N/A	N/A	N/A	N/A	N/A	45-24258-15	
		ECM Wiring Harness - 5 pin to 2 quick connect and 1 ring terminal.	N/A	N/A	N/A	N/A	N/A	45-24258-12	
44		Capacitor Adapter Plate (2 in. round capacitor)	AE-54609-01	AE-54609-01	AE-54609-01	AE-54609-01	AE-54609-01	AE-54609-01	
44		Capacitor Adapter Plate (2 in. X 1-1/4 in. oval capacitor)	AE-54609-02	AE-54609-02	AE-54609-02	AE-54609-02	AE-54609-02	AE-54609-02	

No.	Notes	MODEL TECHNICAL VARIATION COOLING CAPACITY ELECTRICAL DESIGNATION	RSNA	RSNA	RSNA	RSNA			
			B 036 C	B 042 C	B 048 C	B 060 C			
<b>ELECTRICAL GROUP</b>									
31	Stk	Relay - Blower Motor	42-101208-01	42-101208-01	42-101208-01	N/A			
32	Stk	Contact	42-22464-01	42-22464-01	42-22464-01	42-22464-01			
33		Terminal Strip	45-23591-01	45-23591-01	45-23591-01	45-23591-01			
34	Stk	Sequencing Relay	42-21593-05	42-21593-05	42-21593-05	N/A			
36	Stk	Transformer	46-18788-07	46-18788-07	46-18788-07	46-18788-07			
37		Blower Capacitor	See Blower Group						
38		Ground Lug	45-19000-01	45-19000-01	45-19000-01	45-19000-01			
39		Capacitor - Compressor/Fan	See Fan Group						
43	Stk	Limit Control - Blower Shelf	47-25334-01	47-25334-01	47-25334-01	47-25334-01			
		ECM Wiring Harness - 16 pin to 3 stripped leads and 1 uninsulated terminal	N/A	N/A	N/A	45-24258-15			
		ECM Wiring Harness - 5 pin to 2 quick connect and 1 ring terminal.	N/A	N/A	N/A	45-24258-12			
44		Capacitor Adapter Plate (2 in. round capacitor)	AE-54609-01	AE-54609-01	AE-54609-01	AE-54609-01			
44		Capacitor Adapter Plate (2 in. X 1-1/4 in. oval capacitor)	AE-54609-02	AE-54609-02	AE-54609-02	AE-54609-02			

No.	Notes	MODEL TECHNICAL VARIATION COOLING CAPACITY ELECTRICAL DESIGNATION	RSNA	RSNA	RSNA	RSNA	RSNA	RSNA
			B 024 J	B 030 J	B 036 J	B 042 J	B 048 J	B 060 J
<b>FAN GROUP</b>								
<b>Note: 024, 030, and 036 units produced before F3706 may have been produced with a different motor, capacitor, and fan blade combination than shown below. If replacing any of these components on older units, all three components must be changed in accordance with those listed below. Failure to do so may affect motor reliability and increase fan noise.</b>								
39	Stk	Capacitor - Fan/Compressor	43-26261-44	43-26271-41	43-26261-16	43-101665-37	43-26271-45	43-101665-30
40	Stk	Fan Motor	51-100998-24	51-100998-24	51-100998-24	51-100998-19	51-100998-19	51-100998-19
41	Stk	Fan Blade	70-101323-19	70-101323-19	70-101323-19	70-23594-02	70-23594-02	70-23594-02

No.	Notes	MODEL TECHNICAL VARIATION COOLING CAPACITY ELECTRICAL DESIGNATION	RSNA	RSNA	RSNA	RSNA		
			B 036 C	B 042 C	B 048 C	B 060 C		
<b>FAN GROUP</b>								
39	Stk	Capacitor - Fan Motor	43-100496-04	43-100496-12	43-100496-12	43-100496-12		
40	Stk	Fan Motor	51-100998-24	51-100998-19	51-100998-19	51-100998-19		
41	Stk	Fan Blade	70-101323-19	70-23594-02	70-23594-02	70-23594-02		

No.	Notes	MODEL TECHNICAL VARIATION COOLING CAPACITY ELECTRICAL DESIGNATION	RSNA B 024 J	RSNA B 030 J	RSNA B 036 J	RSNA B 042 J	RSNA B 048 J	RSNA B 060 J
<b>BLOWER GROUP</b>								
	Stk	Blower Assembly (Includes items 37, 51-56)	AS-58662-01	AS-58662-05	AS-58662-05	AS-58662-05	AS-58662-06	AS-58662-17
37	Stk	Capacitor	43-100496-04	43-100496-12	43-100496-12	43-100496-12	43-100496-45	N/A
51		Housing	AS-58619-01	AS-58619-02	AS-58619-02	AS-58619-02	AS-58619-02	AS-58619-02
52	Stk	Blower Wheel	70-20218-01	70-18625-03	70-18625-01	70-18625-03	70-18625-03	70-18625-03
53		Cut-Off	AE-64401-10	AE-64401-06	AE-64401-06	AE-64401-06	AE-64401-06	AE-64401-06
54	Stk	Blower Motor	51-23608-02	51-23609-04	51-23609-04	51-23609-04	51-23650-01	51-24376-15
		Motor Mounting Bracket Assembly (includes 55, 56)	AS-53148-03	AS-53148-04	AS-53148-04	AS-53148-04	AS-53148-04	N/A
55		Motor Band	70-19927-01	70-19927-01	70-19927-01	70-19927-01	70-19927-01	70-19927-03
56		Arm Assembly	70-19929-02	70-19929-02	70-19929-02	70-19929-02	70-19929-02	70-19929-09

No.	Notes	MODEL TECHNICAL VARIATION COOLING CAPACITY ELECTRICAL DESIGNATION	RSNA B 036 C	RSNA B 042 C	RSNA B 048 C	RSNA B 060 C		
<b>BLOWER GROUP</b>								
	Stk	Blower Assembly (Includes items 37, 51-56)	AS-58662-05	AS-58662-05	AS-58662-06	AS-58662-17		
37	Stk	Capacitor	43-100496-12	43-100496-12	43-100496-45	N/A		
51		Housing	AS-58619-02	AS-58619-02	AS-58619-02	AS-58619-02		
52	Stk	Blower Wheel	70-18625-01	70-18625-03	70-18625-03	70-18625-03		
53		Cut-Off	AE-64401-06	AE-64401-06	AE-64401-06	AE-64401-06		
54	Stk	Blower Motor	51-23609-04	51-23609-04	51-23650-01	51-24376-15		
		Motor Mounting Bracket Assembly (Includes 55, 56)	AS-53148-04	AS-53148-04	AS-53148-04	N/A		
55		Motor Band	70-19927-01	70-19927-01	70-19927-01	70-19927-03		
56		Arm Assembly	70-19929-02	70-19929-02	70-19929-02	70-19929-09		

No.	Notes	MODEL TECHNICAL VARIATION COOLING CAPACITY	RSNA B 024	RSNA B 030	RSNA B 036	RSNA B 042	RSNA B 048	RSNA B 060
<b>COIL GROUP</b>								
<b>CONDENSER COIL:</b>								
61	Stk	Condenser Coil	AS-101997-03	AS-101997-03	AS-101993-03	AS-101994-03	AS-101996-01	AS-101996-01
		Distributor Assembly	AS-101689-02	AS-101689-02	AS-101689-02	N/A	AS-101689-01	AS-101689-01
		Distributor - 2 way (3/8 in. to 3/8 in.)	83-17467-02	83-17467-02	83-17467-02	N/A	83-17467-02	83-17467-02
		Access Valve Body	61-18542-01	61-18542-01	61-18542-01	61-18542-01	61-18542-01	61-18542-01
		Access Valve Core	61-18551-01	61-18551-01	61-18551-01	61-18551-01	61-18551-01	61-18551-01
<b>EVAPORATOR COIL:</b>								
62	Stk	Evaporator Coil w/Drain Pan	AS-102660-04	AS-102660-04	AS-102660-03	AS-102660-02	AS-102660-01	AS-102660-01
63		Drain Pan Grommet	56-23601-01	56-23601-01	56-23601-01	56-23601-01	56-23601-01	56-23601-01
64	Stk	Drain Pan - Before F4507	AS-58607-32	AS-58607-32	AS-58607-32	AS-58607-32	AS-58607-32	AS-58607-32
64	Stk	Drain Pan - After F4507	68-23602-02	68-23602-02	68-23602-02	68-23602-02	68-23602-02	68-23602-02
64a		Drain Trap - (Attached to Drain Pan)	68-23603-01	68-23603-01	68-23603-01	68-23603-01	68-23603-01	68-23603-01
65		Aux Drain Pipe	AE-58611-01	AE-58611-01	AE-58611-01	AE-58611-01	AE-58611-01	AE-58611-01
66	Stk	TXV	61-23542-38	61-23542-37	61-23542-37	61-21922-75	61-21922-75	61-21922-102
67		Condensate Shield	AE-101751-01	AE-101751-01	AE-101751-01	AE-101751-02	AE-101751-02	AE-101751-02
68		Condensate Barrier	AE-100544-01	AE-100544-01	AE-100544-01	AE-100544-02	AE-100544-02	AE-100544-02
69	Stk	Distributor/Piston Assembly	61-102106-12	61-102106-12	61-102106-14	61-102108-14	61-102108-17	61-102108-17
	Stk	Piston Kit (Piston, Teflon Ring)	61-25414-12	61-25414-12	61-25414-14	61-25414-14	61-25414-17	61-25414-17
		TXV Bulb Strap Kit	64-101357-01	64-101357-01	64-101357-01	64-101357-01	64-101357-01	N/A

No.	Notes	MODEL	RSNA	RSNA	RSNA	RSNA	RSNA	RSNA
		TECHNICAL VARIATION	B	B	B	B	B	B
		COOLING CAPACITY	024	030	036	042	048	060
		ELECTRICAL DESIGN	J	J	J	J	J	J
<b>COMPRESSOR GROUP</b>								
		<b>Compressor ID:</b>	<b>7288</b>	<b>7289</b>	<b>7291</b>	<b>7106</b>	<b>7108</b>	<b>7110</b>
81	Stk	Compressor	55-100835-07S	55-100835-08S	55-100835-25S	55-100835-15S	55-100835-11S	55-100835-06S
82		Grommet (4)	56-18518-04	56-18518-04	56-18518-04	56-18518-06	56-18518-06	56-18518-06
		Capacitor - Compressor/Fan	See Fan Group					
	Stk	Compressor Wiring Harness (Molded Plug)	45-100834-80	45-100834-80	45-100834-80	45-100834-80	45-100834-80	45-100834-80

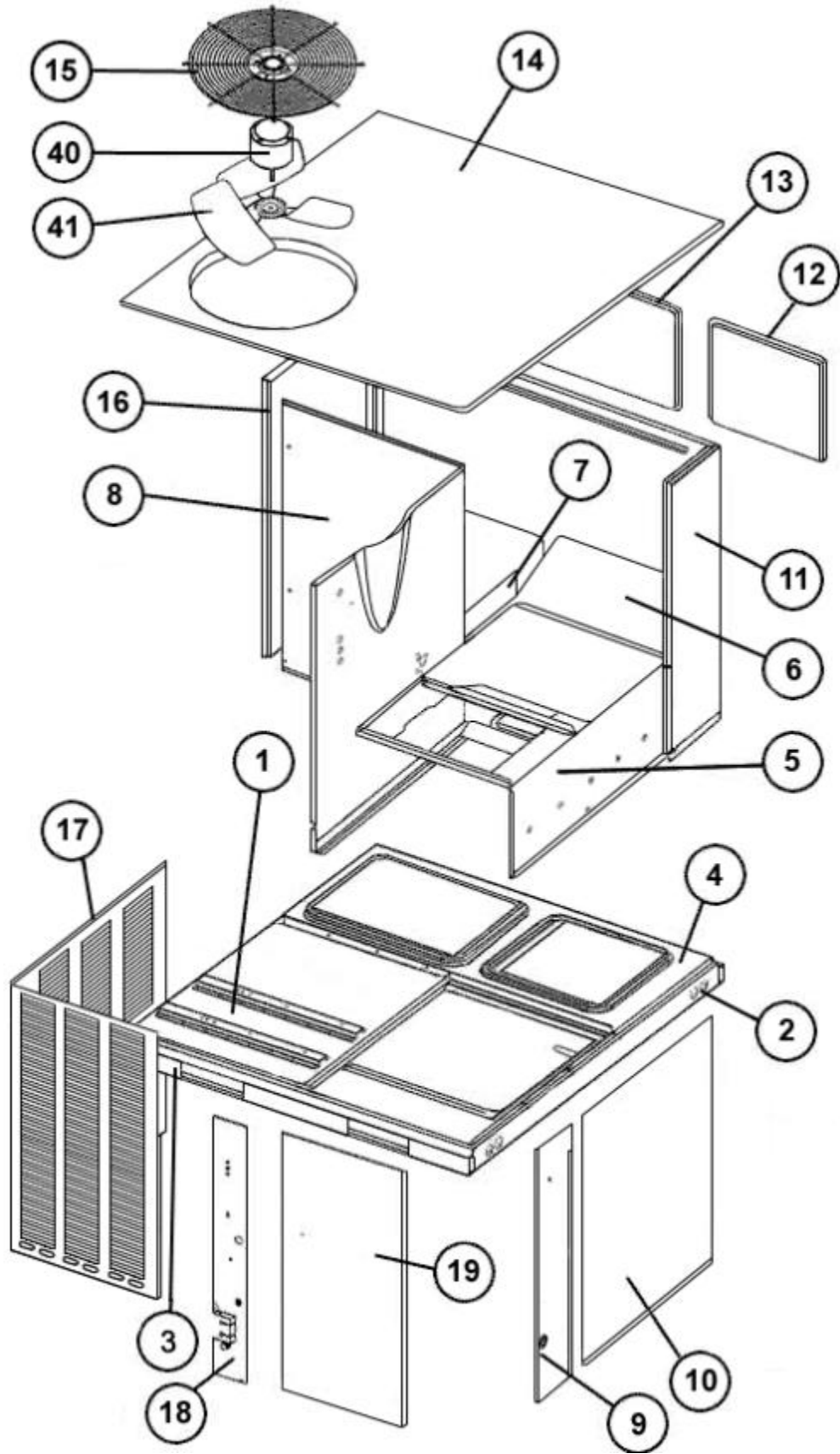
No.	Notes	MODEL	RSNA	RSNA	RSNA	RSNA		
		TECHNICAL VARIATION	B	B	B	B		
		COOLING CAPACITY	036	042	048	060		
		ELECTRICAL DESIGN	C	C	C	C		
<b>COMPRESSOR GROUP</b>								
		<b>Compressor ID:</b>	<b>7290</b>	<b>7105</b>	<b>7107</b>	<b>7109</b>		
81	Stk	Compressor	55-100835-34S	55-100835-21S	55-100835-29S	55-100835-19S		
82		Grommet (4)	56-18518-04	56-18518-06	56-18518-06	56-18518-06		
	Stk	Compressor Wiring Harness (Molded Plug)	45-100834-80	45-100834-80	45-100834-80	45-100834-80		



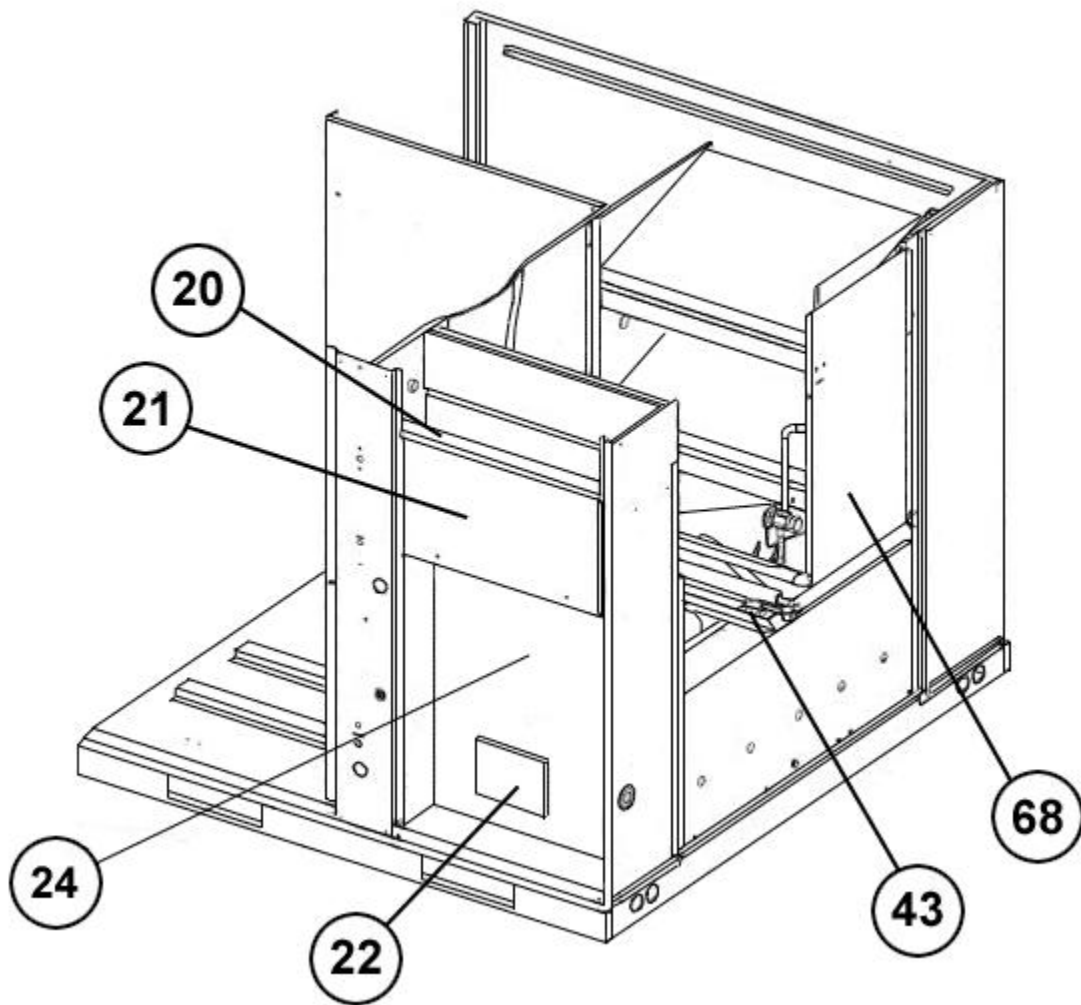
<b>No.</b>	<b>Notes</b>	<b>MODEL TECHNICAL VARIATION COOLING CAPACITY ELECTRICAL DESIGNATION</b>	<b>RSNA B 024 J</b>	<b>RSNA B 030 J</b>	<b>RSNA B 036 C</b>	<b>RSNA B 036 J</b>
<b>HEATER KITS</b>						
		Heater Kit - 5kW	RXQJ-A05J	RXQJ-A05J	N/A	N/A
		Heater Kit - 10kW	RXQJ-A10J	RXQJ-A10J	RXQJ-A10C	RXQJ-A10J
		Heater Kit - 15 kW	N/A	N/A	RXQJ-A15C	RXQJ-A15J

<b>No.</b>	<b>Notes</b>	<b>MODEL TECHNICAL VARIATION COOLING CAPACITY ELECTRICAL DESIGNATION</b>	<b>RSNA B 042 C</b>	<b>RSNA B 042 J</b>	<b>RSNA B 048/060 J</b>	<b>RSNA B 048/060 C</b>
<b>HEATER KITS</b>						
		Heater Kit - 10kW	RXQJ-A10C	RXQJ-A10J	RXQJ-B10J	RXQJ-A10C
		Heater Kit - 15 kW	RXQJ-A15C	RXQJ-A15J	RXQJ-B15J	RXQJ-A15C

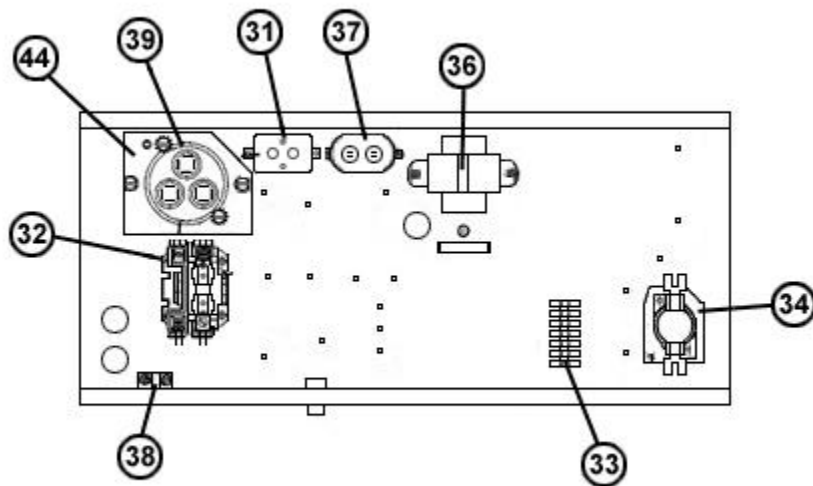
<b>No.</b>	<b>Notes</b>	<b>MODEL VARIATIONS</b>	<b>RSNA ALL</b>			
<b>OPTIONS AND ACCESSORIES</b>						
		Economizer - Downflow, 3 Position	RXRE-CAA30			
		Economizer - Downflow, Fully Modulating	RXRD-CAM10			
		Economizer - Horizontal Application, Fully Modulating	RXRD-CCM10			
		Fresh Air Damper - Fixed, 35%	RXRF-FAA1			
		Fresh Air Damper - Motorized, 35%	RXRF-FAB1			
		Filter Kit	RXRY-B01			
		Low Ambient Control	RXRZ-A18			
		High Pressure Control	RXAB-A02			
		Low Pressure Control	RXAC-A02			
		Canadian High Altitude Kit (Natural Gas Only)	RXRX-AH01			



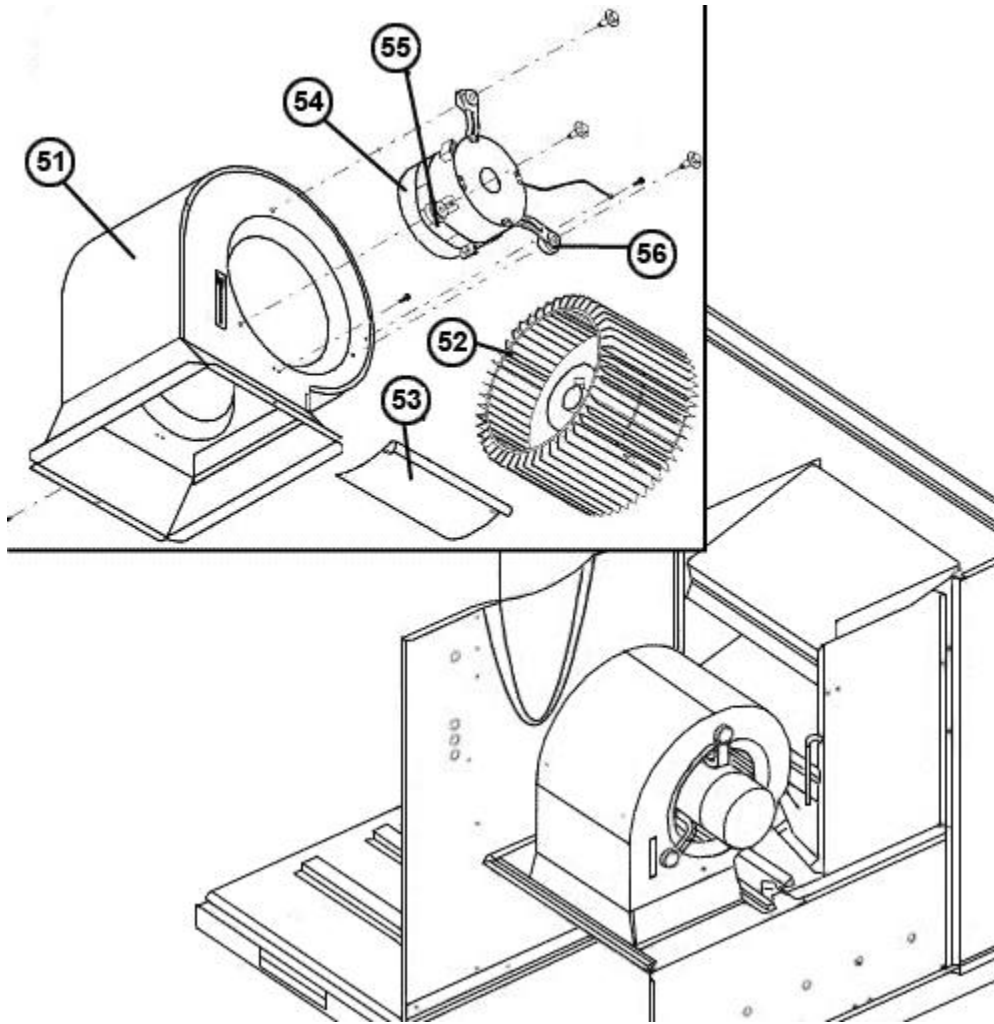
Exploded View



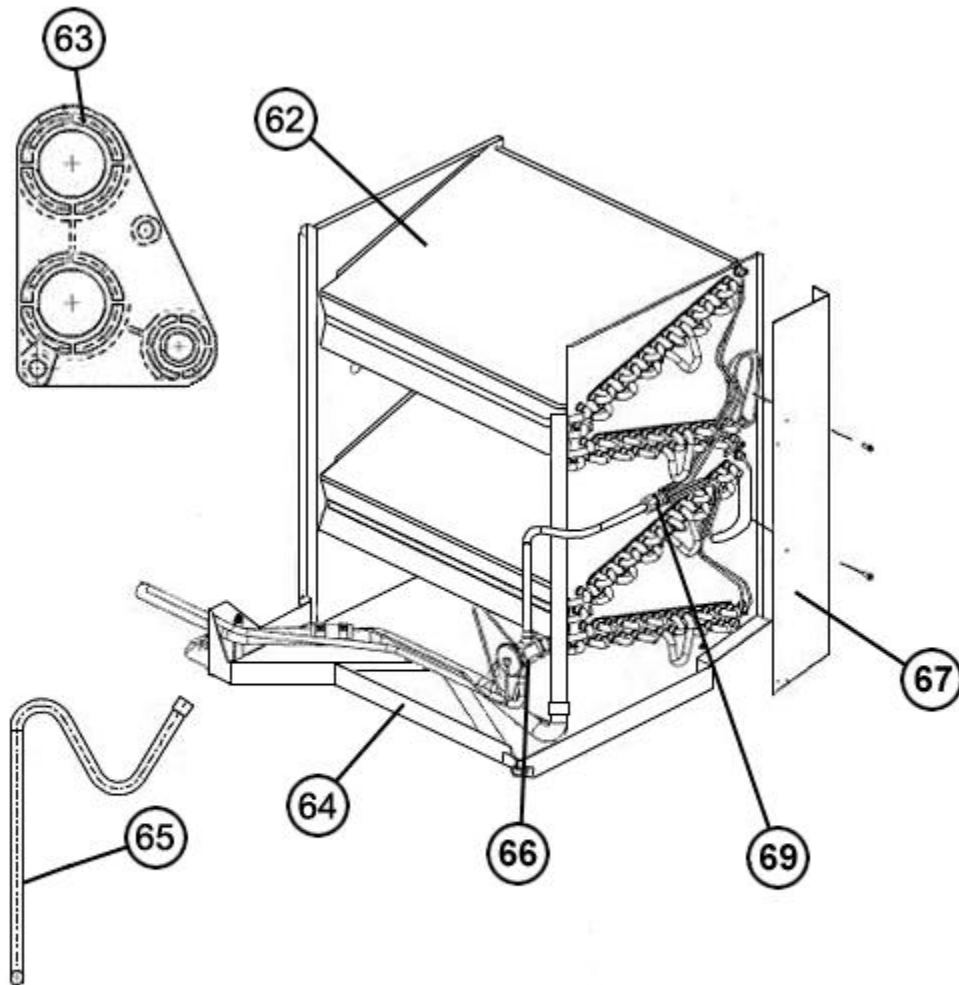
Control Access Panel Detail



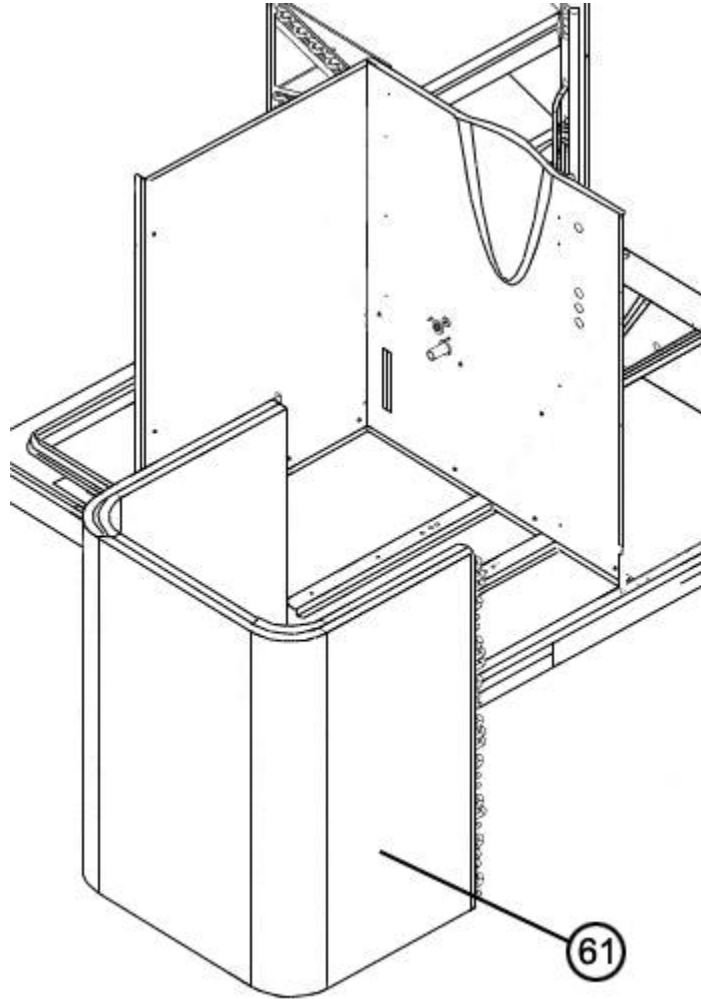
Control Box Assembly



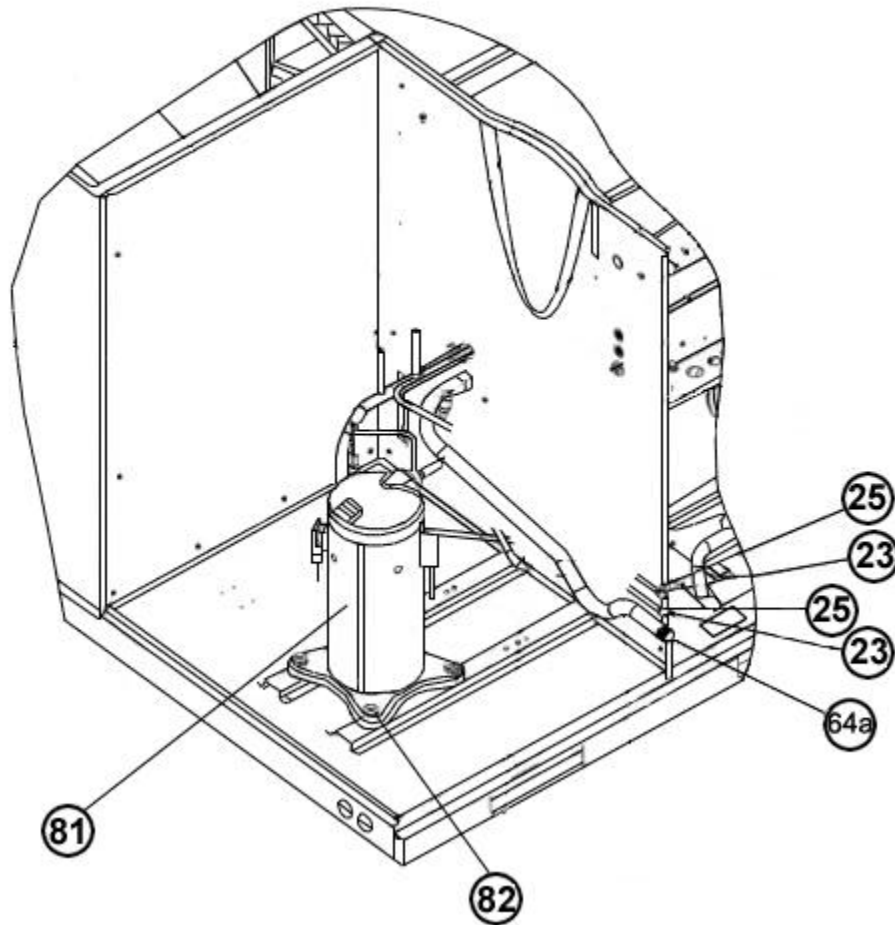
Blower Assembly



Evaporator Coil Assembly



Condenser Coil



Compressor and Refrigeration Components



# NOTES

Stk It is recommended that stock be maintained for this part.  
N/A Not Applicable

**DISCLAIMER:** This document is intended to provide general replacement parts information to aid qualified service personnel in the repair of these models. The complete Model and Serial Number of the unit under repair should be specified when selecting and ordering replacement parts. Specifications and illustrations are subject to change without notice. Document 92-42800-RSNA-B supersedes all previous parts lists for these models. See <http://www.rheempartslists.net/92-42800-RSNA-B> for the latest revision of this document. The manufacturer assumes no obligation for errors or omissions. Service personnel must verify the proper and safe operation of equipment after the replacement of any original components.