

## DESCRIPTION

The All-Pro 500 series utilizes a 5" aperture designed to accommodate smaller sized PAR20 and PAR30 halogen lamps.

## APPLICATION

The All-Pro EI500AT is designed for use in insulated ceiling applications and may be completely covered in insulation. This is an AIR-TITE™ housing and it meets restricted air flow requirements.

## DESIGN FEATURES

### A...Housing

Gasketed die-stamped 20 gauge aluminum.

### B...Plaster Frame

Housing adjusts in plaster frame to accommodate ceilings up to 1 3/8" thick.

### C...Junction Box

U.L. listed for through branch circuit wiring. Positioned to accommodate straight conduit runs. Seven conduit knockouts are uniform 1/2" size with true pryout slots. Four Romex pryouts with integral strain relief also included.

### D...Bar Hangers

Pre-installed, captive bar hangers allow housing to be positioned at any point within a

24" joist span. A set screw is provided to lock housing in position along bar hangers. Score lines provided for easy field shortening for 12" joists. Unique arrowhead design provides "nailess" installation. Bar hangers can be repositioned 90° without tools on plaster frame.

### E...Socket

Porcelain socket with nickel plated brass screw shell, snaps into trim for consistent lamp positioning. Shipping insert protects socket from overspray.

### F...Thermal Protector

Self resetting thermal protector deactivates fixture if overheating occurs due to improper lamping.

### Labels

- UL Listed for Damp Location
  - UL listed for Feed Through
  - UL listed for Direct Contact with Insulation and combustible material
  - CSA Certified
- Meets following requirements:
- State of California Title 24
  - Washington State Energy Code
  - International Energy Conservation Code (IECC)
  - New York State Energy Conservation Construction Code (NY-ECCC)
  - Model Energy Code (MEC)
  - Certified Under ASTM-E283

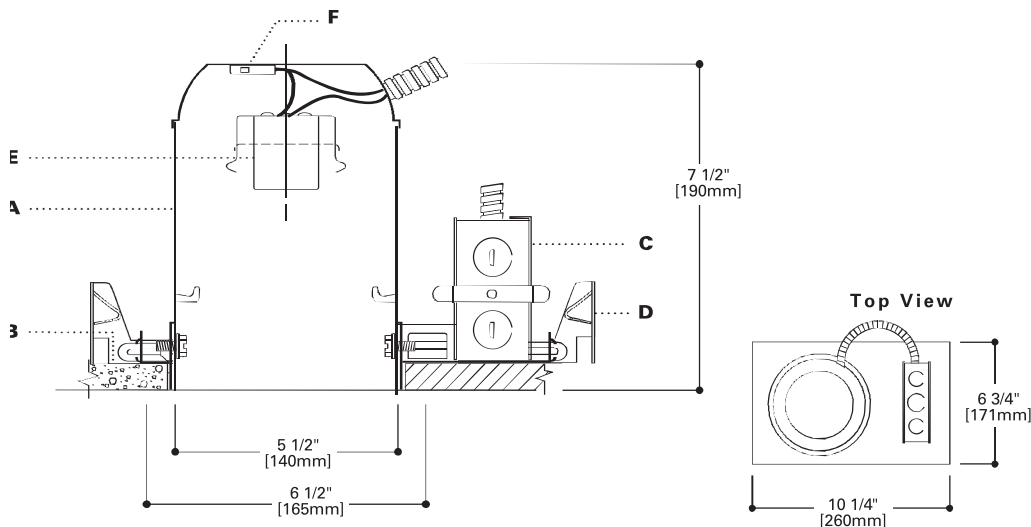
Catalog #	Type
Project	
Comments	
Prepared by	Date



## EI500AT

### 5" Insulated Ceiling AIR-TITE™ Recessed Housing

5" TRIMS



FOR USE IN  
INSULATED CEILINGS

FOR DIRECT CONTACT  
WITH INSULATION



with all trims listed

Ordering Information on reverse.

## TRIMS

## ORDERING INFORMATION

SAMPLE NUMBER: E1500ATERT513

Order housing and trim separately.

## Housing

E1500AT=5" AIR-TITE  
Insulated Ceiling  
Housing

## Trims



ERT513

**Black Metal Baffle**  
50W PAR30L, 65W BR30  
ERT513=Black Baffle

OD: 6 1/2" (165mm)



ERT513WHT

**White Metal Baffle**  
75W PAR30L, 65W BR30  
ERT513WHT=White Baffle  
High Gloss Appliance White Finish

OD: 6 1/2" (165mm)



ERT570

**Eyeball (30° Tilt)**  
75W PAR30  
ERT570=High Gloss Appliance White Finish

OD: 6 1/2" (165mm)



ERT520

**Reflector Cone**  
50W R30, 60W BR30, 75W PAR30  
ERT520=Specular Clear Reflector, High Gloss Appliance White Finish  
Trim Ring

OD: 6 1/2" (165mm)



ERT552

**Fresnel Lens Shower Light**  
35W PAR30L  
ERT552=Fresnel Lens, High Gloss Appliance White Finish Trim Ring

OD: 6 1/2" (165mm)

Note: Specifications and Dimensions subject to change without notice.

Visit our web site at [www.cooperlighting.com](http://www.cooperlighting.com)