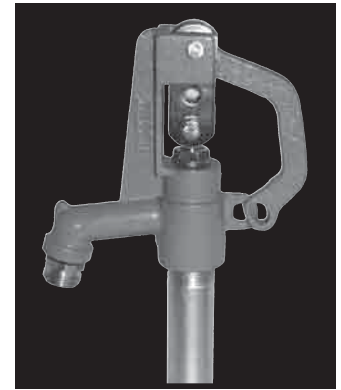




PFEM Series Frost Proof Yard Hydrants

Product Features

- Lever control with variable flow
- Heavy-duty solid brass hose adapter
- Pipe and rod are galvanized to prevent rust
- Head and lever can be padlocked when not in use to prevent unauthorized use
- Metal gland and packing nut included
- Drains below the frost line once hydrant is shut off
- Inlet: 3/4" NPT in brass casting
- Outlet: 3/4" brass hose thread
- Graphite packing
- Steel and molded rubber plunger made of self-lubricating material
- 1" galvanized pipe
- Overall length is 28" plus bury depth (bury depth is stenciled on pipe)



PFEM SERIES

Available Kits

PFEM7500RK

Repair Kit for PFEM7500 Series Yard Hydrant includes one each of the following:

- Valve stem packing
- Plunger
- Container of silicone lube

	DESCRIPTION	OVERALL LENGTH (INCHES)
PFEM7501	1 FT BUR Y FREEZELESS Y ARD HYDRANT	39.5
PFEM75015	1-1/2 FT BUR Y FREEZELESS Y ARD HYDRANT	45.5
PFEM7502	2 FT BUR Y FREEZELESS Y ARD HYDRANT	51.5
PFEM7503	3 FT BUR Y FREEZELESS Y ARD HYDRANT	63.5
PFEM7504	4 FT BUR Y FREEZELESS Y ARD HYDRANT	75.5
PFEM7505	5 FT BUR Y FREEZELESS Y ARD HYDRANT	87.5
PFEM7506	6 FT BUR Y FREEZELESS Y ARD HYDRANT	99.5
PFEM7507	7 FT BUR Y FREEZELESS Y ARD HYDRANT	111.5
*PFEM7508	8 FT BURY FREEZELESS YARD HYDRANT	123.5
*PFEM7510	10 FT BURY FREEZELESS YARD HYDRANT	147.5

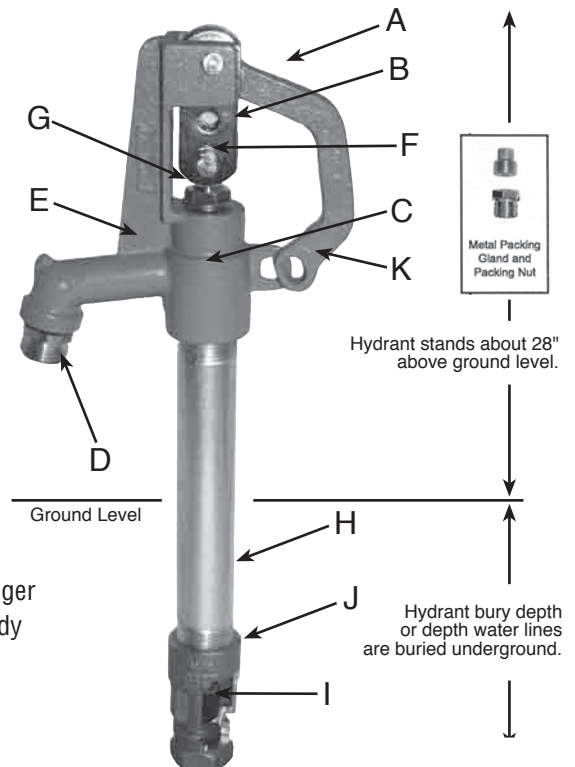
*For Canada only

WATER SYSTEM PRESSURE	GALLONS PER MINUTE (GPM)										
	0	5	10	15	20	25	30	35	40	45	50
20 PSI	15.4 GPM @ 20 PSI										
30 PSI	18 GPM @ 30 PSI										
40 PSI	22 GPM @ 40 PSI										
60 PSI	27 GPM @ 60 PSI										
80 PSI	32 GPM @ 80 PSI										
100 PSI	36 GPM @ 100 PSI										
NOTE: Most common 1/2 hp submersible pumps output is 10 GPM.											



Made in U.S.A.

© 2012 Ferguson Enterprises, Inc. All Rights Reserved



- A - Lever Control
- B - Draw Straps
- C - Operating Rod
- D - Heavy-Duty Solid Brass Hose Adapter
- E - Heavy Cast Iron Head
- F - Pivot Connector with Stainless Steel Bolt
- G - Packing Gland
- H - Galvanized Pipe
- I - Long-life One Piece Plunger
- J - Double Bypass Valve Body
- K - Locking Eye

Hydrant stands about 28" above ground level.

Hydrant bury depth or depth water lines are buried underground.

Warranty and Codes

This PROFLO product carries a 1-year limited warranty.

Distributed Exclusively by Ferguson and Wolseley Canada

12483 07/12