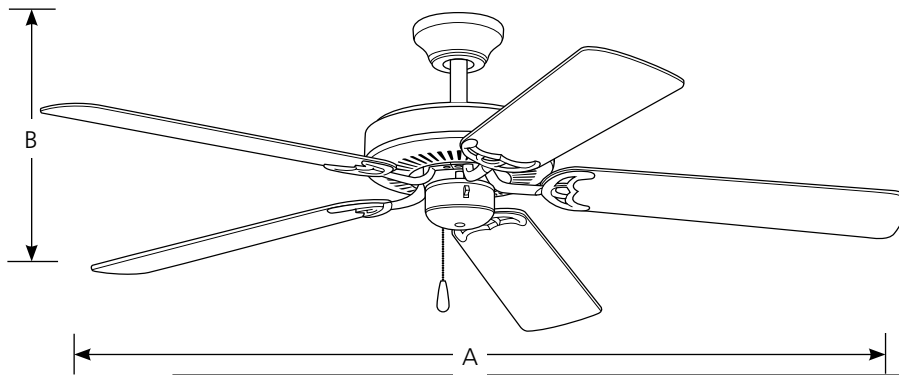


	Type					
	-09	-15	-20	-30	-30W	-143
P2501	<input type="checkbox"/>	<input type="checkbox"/>	<input type="checkbox"/>	<input type="checkbox"/>	<input type="checkbox"/>	<input type="checkbox"/>

Catalog No.	Finish						Dimensions (Inches)	
	Brushed Nickel	Polished Chrome	Antique Bronze	White	White	Graphite	A	B
P2501	-09	-15	-20	-30	-30W	-143	52	13.5
Blades								
Side 1	Cherry blades	Black blades	Medium Cherry blades	White blades	White blades	Graphite blades		
Side 2	Natural Cherry blades	Driftwood blades	Classic Walnut blades	Washed Oak blades	White blades	Black blades		



Specifications:

General

- 30 year limited warranty

Blades

- Five blades
- Reversible
- 12 degree pitch
- SureConnect® blade arms
- Screws preinstalled in blades for attachment to motor arms
 - Special guides align blades to motor arms
 - Preinstalled rubber isolation pads minimize vibration noise
 - Hybrid MDF and Plywood blade material

Motor

- Triple capacitor speed control; manual reverse control
- 153mm dia x 12mm high

- Pull chain on Brushed Nickel (-09) and Polished Chrome (-15) is chrome with a maple fob, Antique Bronze (-20) and Graphite (-143) is antique brass with a solid wood oak fob, White (-30 & -30W) is chrome with a white fob.

Mounting

- Ceiling downrod mount
- Quick Install canopy
 - Installs without removing J-box screws
 - Holds fan for wiring during installation
- A 3/4" x 4-1/4" downrod is included. Longer accessory downrods can be ordered separately
- Standard canopy designed for sloped ceilings up to 30 degrees using downrod supplied or accessory downrods
- Oversized, textured die cast hanger ball reduces noise and wobble vibrations
- Canopy covers standard recessed 4" octagonal outlet box. Note: An outlet box assembly designed for fan installation is required (not included)
- Mounting hardware is included
- Can be close-to-ceiling mounted with optional P2666 canopy accessory.

ENERGYGUIDE

<p>Estimated Yearly Energy Cost</p> <p style="font-size: 1.5em; font-weight: bold;">\$11</p> <p style="font-size: 0.8em;">\$3 \$34</p> <p style="font-size: 0.7em;">Cost Range of Similar Models (19" - 84")</p> <p style="font-size: 0.6em;">• Based on 12 cents per kWh and 6.4 hours use per day • Your cost depends on rates and use • Energy Use: 29 Watts</p>	<p>Airflow</p> <p style="font-size: 1.5em; font-weight: bold;">2,930</p> <p style="font-size: 0.7em;">Cubic Feet Per Minute</p> <p style="font-size: 0.6em;">• The higher the airflow, the more air the fan will move • Airflow Efficiency: 74 Cubic Feet Per Minute Per Watt</p>
---	---

All estimates based on typical use, excluding lights. fpc.gov/energy

Fan mounted as close-to-ceiling.

ENERGY INFORMATION AT HIGH SPEED

AIRFLOW: 4991 CFM cubic feet per minute

ELECTRICITY USE: 63 watts (excludes lights)

AIRFLOW EFFICIENCY: 79 cubic feet per minute per watt

Fan on a downrod.

Progress Lighting
701 Millennium Blvd.
Greenville, South Carolina
29607

Electrical

- 80" feet of wire supplied
- Pre-wired

Labeling

- UL Dry location listed