



100 Royal Way
 Temple, GA 30179
 Phone (800) 520-6593

SPECIFICATION DATA SHEET

Date: 10/30/14

MODEL No. 271
Full Flow Tee

DIMENSIONAL DATA

A	B	C	D
Size		Length	Height
4	5 3/4"	11"	6 3/4"
5	4 3/4"	11"	8"
6	6"	13 3/4"	9"
7	6 1/4"	13 3/4"	11 1/2"
8	5 1/2"	14 1/2"	11"
10	7 1/2"	19 3/4"	14 1/2"
12	10 1/4"	24 3/4"	16 1/2"
14	9"	24	19"
16	8 1/2"	26 3/4"	21"
18	10"	31"	23 1/2"

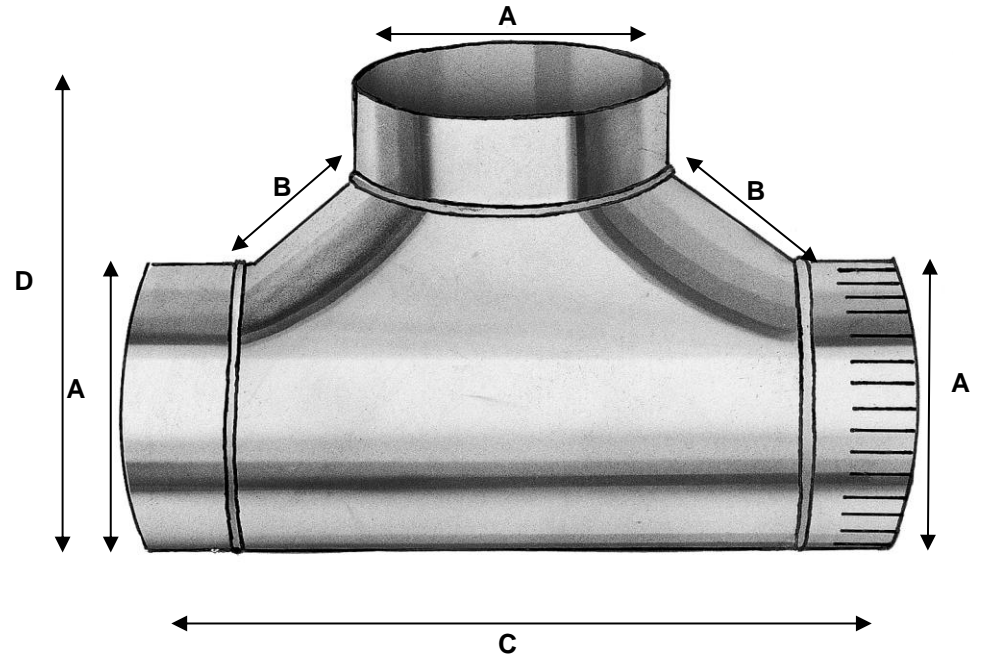
FABRICATION DATA

Material:
 ASTM-A653 CS Type B Galvanized Steel,
 G-30 Coating LFQ Chemical Treatment

Size: **Gauge:**
 4" - 10" 28GA
 12" - 16" 26GA
 18" - 20" 24GA

Assembly:
 Assembled with C-115 2/16 Zinc Coated Steel Rivets

Collars:
 2" Rolled Formed Galvanized Steel with 1/4" Beading Female
 Connection features 1/8" Hemmed Edge, Male Connection features
 Crimped End



Superior Quality, Superior Service, Superior Value.. that's the Royal Advantage

Superior Quality, Superior Service, Superior Value.. that's the Royal Advantage