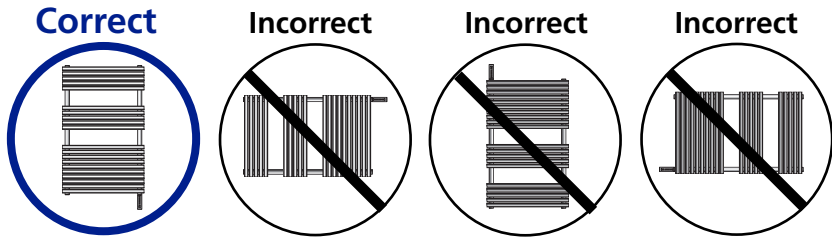
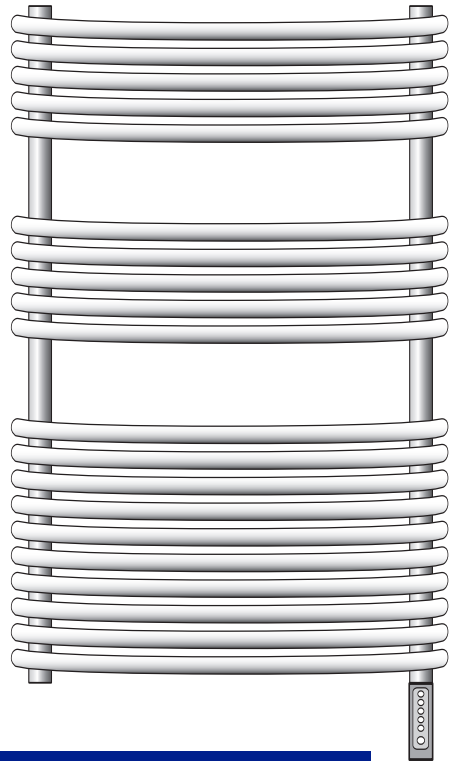


# Runtal® SOLEA

## OWNER'S MANUAL & INSTALLATION INSTRUCTIONS

Thank you for purchasing the Runtal Solea. We are very proud of our workmanship and quality, and we are certain that you will be thoroughly satisfied with your new Runtal Solea. We urge you to contact your local Runtal representative if you have comments or questions. This manual is intended to show installation and care for your Runtal Solea. Electrical connection, or hydronic piping should be performed by qualified professionals. The plug-in model is intended for quick and easy homeowner installation.

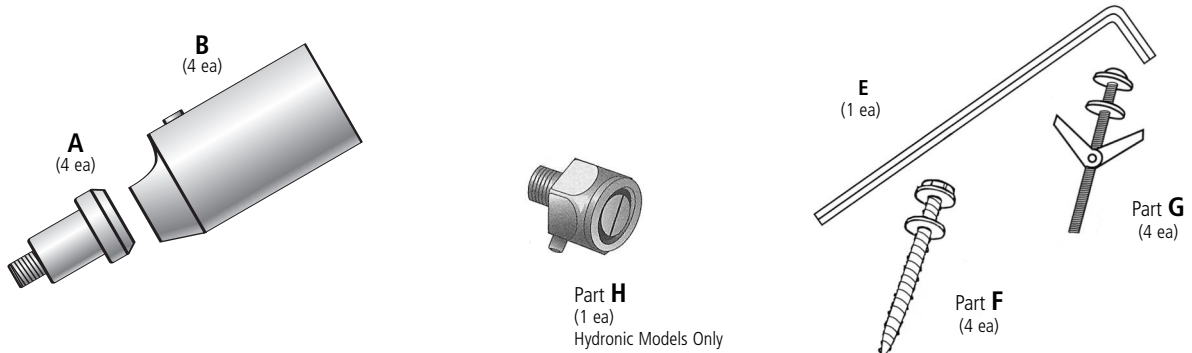
- The electric Runtal Solea must be used only when wall mounted in an upright position with the control switch in the lower right hand corner.



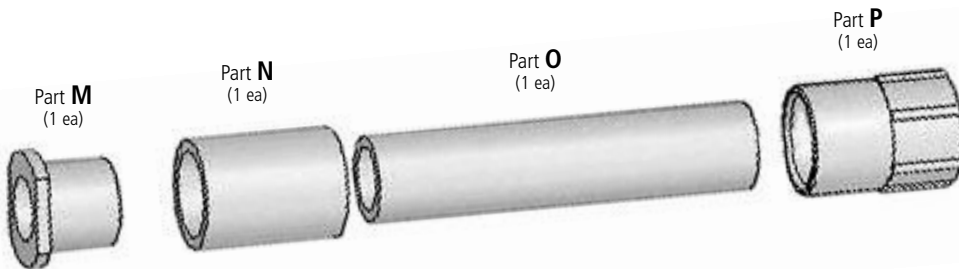
**CONTENTS:**  
 1 Runtal Solea Radiator  
 1 Mounting Hardware Package  
 1 Owner's Manual

**TOOLS REQUIRED:**  
 Screw Drivers  
 Electric Drill  
 Allen Wrench (included)  
 Level

### ALL MODELS HARDWARE

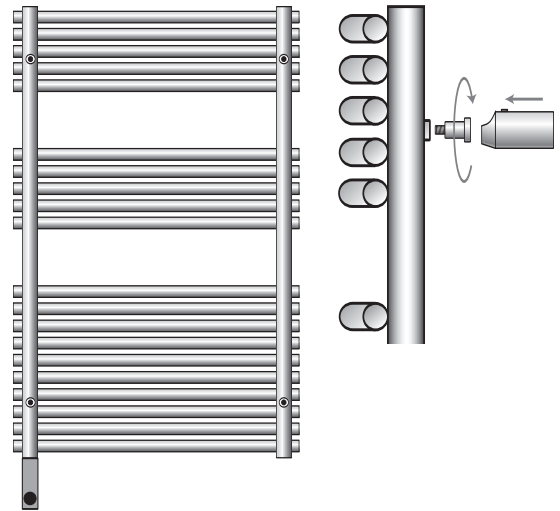


### ELECTRICAL MODELS (DIRECT WIRE)



# INSTALLATION

**P**lease check the contents of the Runtal Solea carton to be sure you have received all of the parts required. Runtal has made every effort to ensure that all materials required for mounting your unit have been included, and depending upon specific installation conditions, you may have parts left over. The mounting system has been designed for installation by one person, but you may find an assistant helpful.



## STEP 1 DETERMINE WIRING OR PIPING (IF OTHER THAN A PLUG-IN MODEL)

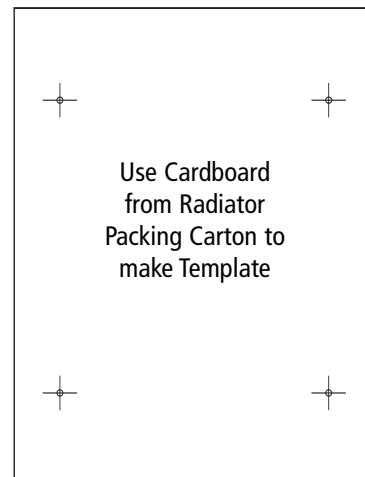
The electrician should start by providing the wiring to the Solea if the model is electrical. The easiest termination of wires at the radiator is accomplished using stranded conductors or 14/2 Romex (#12 AWG solid wire is not recommended because of termination difficulties). If the unit is hydronic, the plumber should determine the piping configuration.

## STEP 2 ATTACH THE FOUR POSTS TO THE RADIATOR

Position the four posts (Parts A) into their fixed positions on the unit. All four posts supplied with the towel radiator must be used, half as top supports and half as bottom supports.

## STEP 3 POSITION THE RADIATOR ON THE WALL

To hang the unit either: (1) Ask an assistant to hold the unit against the wall while you trace the four mounting posts. (2) Measure out the post positions. (3) Make a template by placing the towel radiator onto a posterboard or a large piece of the carton and tracing the mounting posts. The template is then taped to the wall.



## STEP 4 DETERMINE WALL CONSTRUCTION

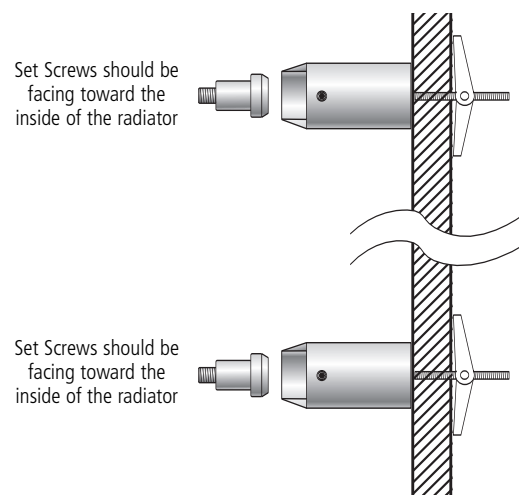
For solid wood or placement into blocking use the provided #8 x 1-1/2" long screw with washers, (part F). For drywall construction use the included metal anchors with washers, (part G). Runtal towel radiators are very sturdy and care should be taken that they are securely hung using all four mounting posts.

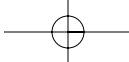
## STEP 5 DRILL HOLES

Drill holes for appropriate anchors in the middle of all four traced circles. Use of the metal wall anchors will require a 5/16" hole; use of the 1-1/2" screw will require a 1/16" pilot hole.

## STEP 6 FASTEN THE BRACKET SLEEVES TO THE WALL

Using the proper fasteners (either the metal anchors or #8 screws) attach the mounting sleeves (Part B) to the wall. Fasten the sleeves with the set screw positioned on the inside.





**STEP 7 HANG THE TOWEL RADIATOR ON THE WALL**

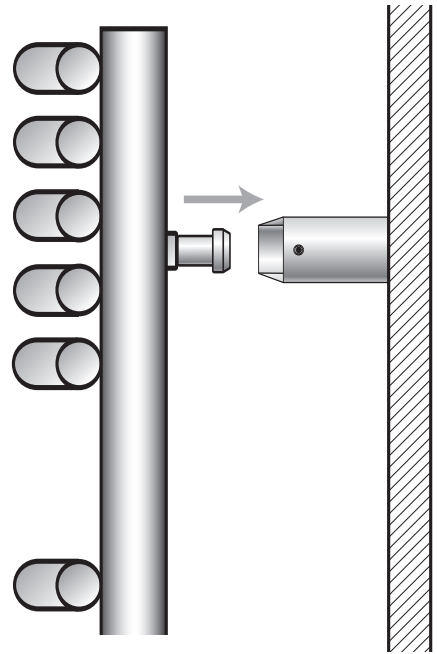
Insert all four radiator posts into the four wall sleeves and tighten each set screw.

**STEP 8 MAKE THE ELECTRICAL OR PIPING CONNECTIONS**

Please refer to electrical details or hydronic details below.

**STEP 9 (HYDRONIC MODELS ONLY)**

Install air vent, (part H) and properly seal with pipe dope.

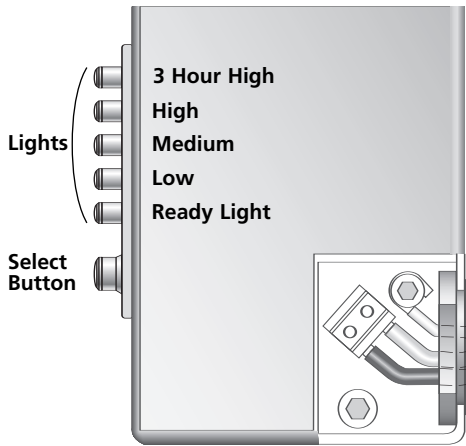


**ELECTRICAL DETAILS**

**Electrical Installation Procedure:**

All electrical towel radiators are designed for 120v AC 60HZ and must be GFCI protected. In the case of plug-in models this protection is integrated into the cord provided. In the case of the direct wire models, GFCI protection must be provided at the circuit breaker by a qualified electrician.

To install the direct wire model the electrician should follow these steps:



- (1) Remove the two screws on the side of the control unit.
- (2) Remove the control unit cover by pulling it forward.
- (3) Remove the electrical connection access cover.
- (4) Using the appropriate cement, cement Part M into Part N. Leave an 1/8" space between these parts.
- (5) Cut Part O to the required length and cement it to Parts N and P. A strain relief (provided by the electrician ) is threaded to Part O.
- (6) Run the electrical wires through the conduit, secure the strain relief and slide Part M into the slot of the electrical junction box as shown.
- (7) Connect the three wires as indicated.
- (8) Replace the electrical connection access cover and the control unit cover, fasten in place with two screws.

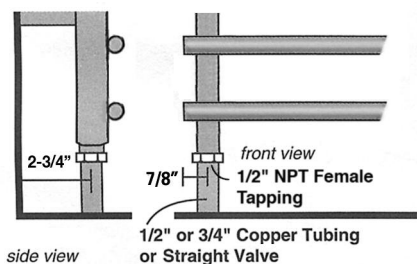
Electrical Connection Access

**Location of Conduit:**

Starting at the bottom right side of the control go up 3/4" and over to the left 3/4". This is where you drill the hole in the wall to make the connection to the junction box on the unit.

**Connections for wires is as follows: Black to line, White to neutral, Green to ground**

**BOTTOM TYPE- VERTICAL PIPING TO FLOOR**



**BOTTOM TYPE- VERTICAL PIPING TO WALL**

