



VITREOUS CHINA

TOILET
21-417



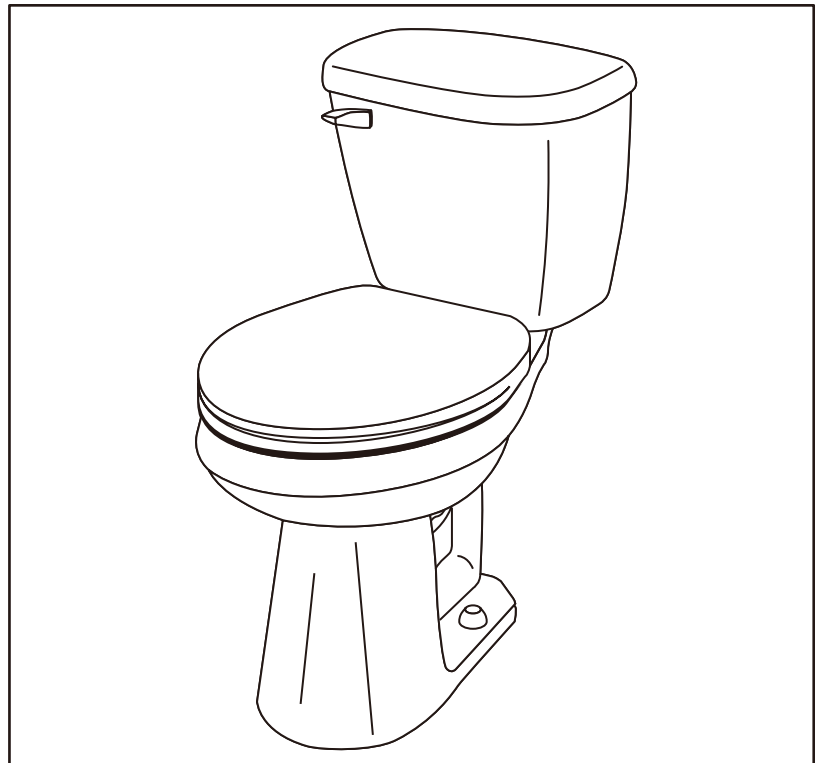
10" Rough-in



MAXWELL® ErgoHeight™ 17" High Elongated Toilet

Features:

- Low Consumption 1.6 gpf (6.0 Lpf)
- Elongated Bowl
- ADA Compliant
- Slim Line Tank
- Glazed Trapway
- Reverse Trap
- Front Jet Flushing Action
- Front Tank Lever
- White, Bone, Biscuit
- 2 Bolt Caps

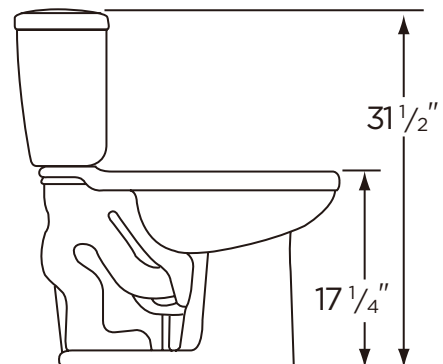
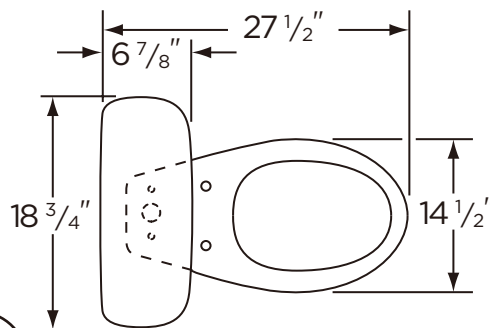


Dimensions:

- Height 30 1/2"
- Width 18 1/2"
- Depth 27 1/2"
- Rough-in 10"
- Water Surface from Rim ... 5 5/8"
- Trapway (min) 1 3/4"
- Water Surface 10" x 8 1/2"
- Water Seal 2 1/2"
- Shipping Weight 90 lbs

Specifications: Bowl—#21-728 Elongated Bowl
Seat not included

Tank—#28-495



THIS FIXTURE QUALIFIES ACCORDING TO ASME TEST PROCEDURES AS A LOW CONSUMPTION WATER CLOSET WITH AN AVERAGE CONSUMPTION OF 1.6 GAL. OR LESS.



www.gerberonline.com

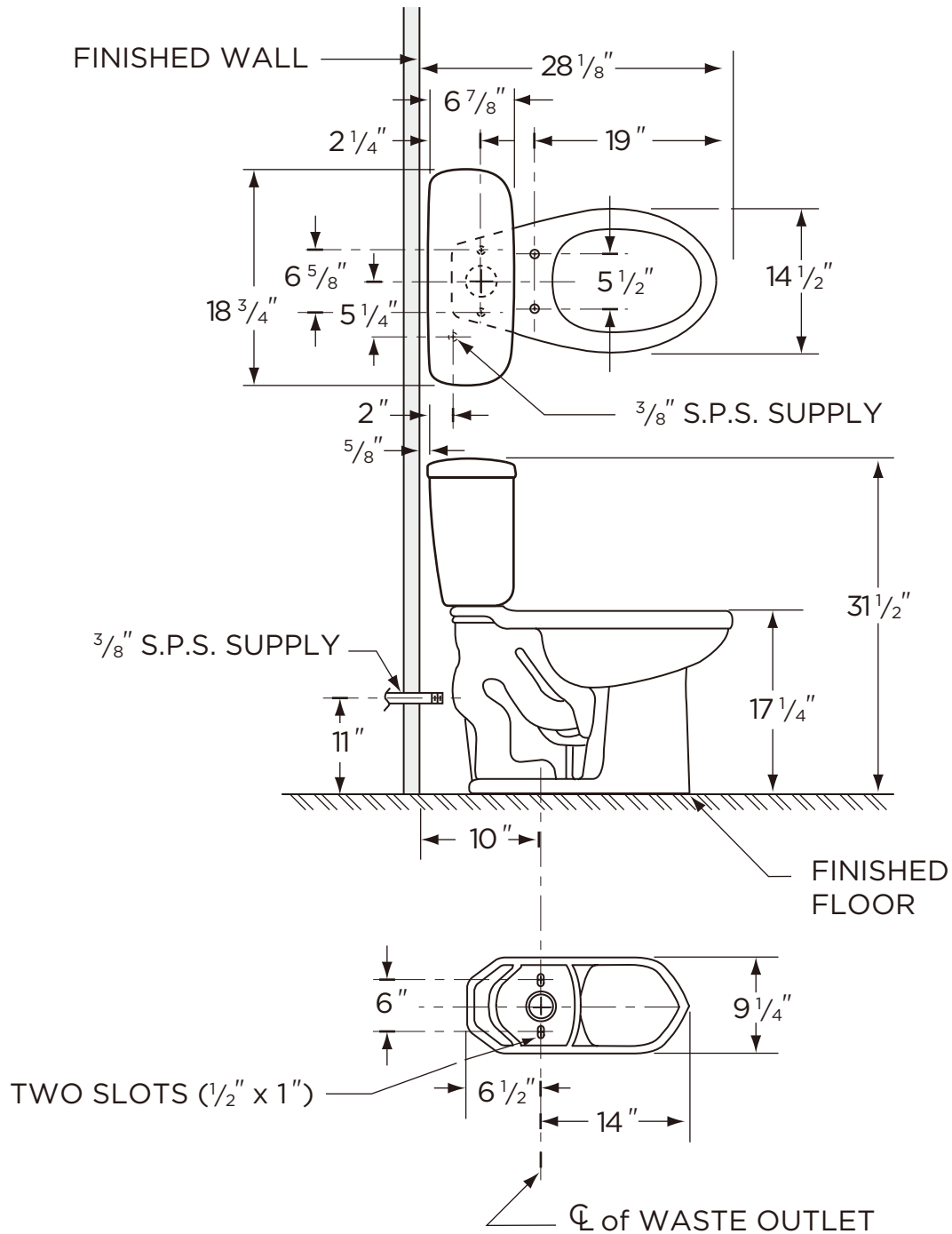
Job Name	
Date	
Model Specified	
Quantity	
Customer	
Contractor	
Architect/engineer	



1.6 gpf (6 Lpf) LOW CONSUMPTION MAXWELL® TOILET

21-417

17" High Elongated, 10" Rough-in
(Bowl 21-728 with Tank 28-495)



NOTES:
All dimensions are in inches.

Illustrations may not be drawn to scale.

IMPORTANT:

Dimensions of fixtures are nominal and may vary within the range of tolerances established by ASME Standard A 112.19.2.

THIS FIXTURE QUALIFIES ACCORDING TO ASME TEST PROCEDURES AS A LOW CONSUMPTION WATER CLOSET WITH AN AVERAGE CONSUMPTION OF 1.6 gpf (6 Lpf) OR LESS.