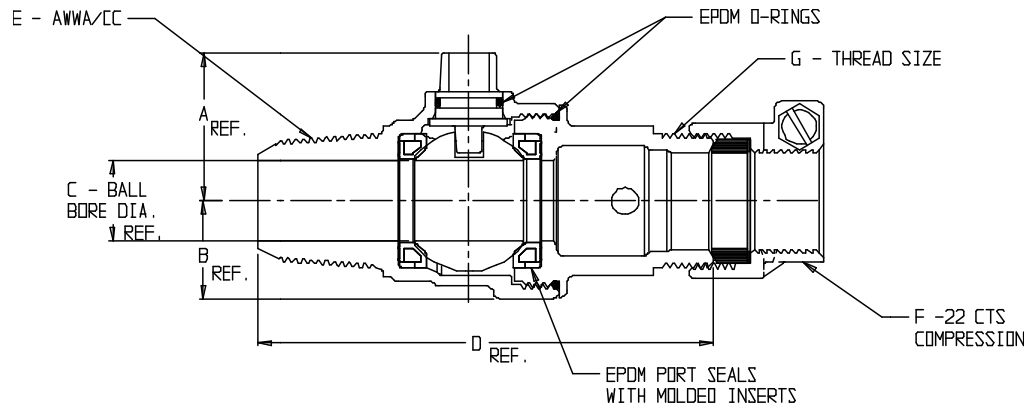
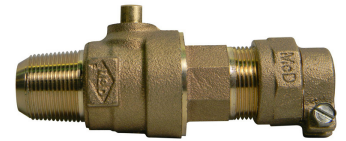


# SUBMITTAL DATA SHEET

NL Ball Style Corporation Stop – 74701B-22

AWWA/CC x -22 CTS Compression



| MODEL       | SIZE      | A    | B    | C    | D    | E     | F     | G                  |
|-------------|-----------|------|------|------|------|-------|-------|--------------------|
| 74701B-22   | 3/4       | 1.39 | .91  | .75  | 4.23 | 3/4   | 3/4   | 3/4 AWWA FLARE     |
| 74701B-22   | 3/4 X 1   | 1.39 | .91  | .75  | 4.44 | 3/4   | 1     | 1 AWWA FLARE       |
| 74701B-22   | 1         | 1.50 | 1.16 | 1.00 | 4.37 | 1     | 1     | 1 AWWA FLARE       |
| 74701B-22   | 1 X 1 1/4 | 1.50 | 1.16 | 1.00 | 4.51 | 1     | 1 1/4 | 1 1/4 AWWA FLARE   |
| 74701B-22   | 1 1/4     | 1.88 | 1.33 | 1.25 | 5.90 | 1 1/4 | 1 1/4 | 1 1/4 AWWA FLARE   |
| 74701B-22   | 1 1/2     | 2.15 | 1.60 | 1.50 | 6.43 | 1 1/2 | 1 1/2 | 2 1/8 - 16 SPECIAL |
| 74701B-22   | 1 1/2 X 2 | 2.15 | 1.60 | 1.50 | 6.97 | 1 1/2 | 2     | 2 5/8 - 16 SPECIAL |
| 74701B-22   | 2         | 2.46 | 2.10 | 2.00 | 7.53 | 2     | 2     | 2 5/8 - 16 SPECIAL |
| 74701B-22FT | 1 1/2     | 2.15 | 1.60 | 1.50 | 6.09 | 1 1/2 | 1 1/2 | 1 1/2 AWWA FLARE   |
| 74701B-22FT | 1 1/2 X 2 | 2.15 | 1.60 | 1.50 | 6.97 | 1 1/2 | 2     | 2 AWWA FLARE       |
| 74701B-22FT | 2         | 2.46 | 2.10 | 2.00 | 7.56 | 2     | 2     | 2 AWWA FLARE       |

## SUBMITTAL INFORMATION

- Manufactured in compliance with ANSI/AWWA C800 (latest revision)
- Brass components in contact with potable water conform to ASTM B584, UNS C89833 (latest revision) and identified with “NL”
- Certified to NSF/ANSI 61 and NSF/ANSI 372
- Brass components not in contact with potable water conform to ASTM B62 and ASTM B584, UNS C83600 -85-5-5-5 (latest revision)
- PTFE coated brass ball rotates 360°
- Rated for 300 PSIG water pressure
- Blow out proof EPDM port seals
- End piece joint sealed with an EPDM o-ring and thread locker
- Insert stiffeners required on all flexible plastic connections



**A.Y. McDonald Mfg. Co.**  
P.O. Box 508  
Dubuque, IA 52004-508

**Toll Free: 1-800-292-2737**  
**Fax: 1-800-832-9296**  
**Hours: 7:00 a.m. – 5:00 p.m., CST**

sales@aymcdonald.com  
[www.aymcdonald.com](http://www.aymcdonald.com)

A.Y. McDonald considers the information on this assembly drawing correct when published. Item and option availability, including specifications, are subject to change without notice.

**Submitted by:**