

STERLING®

A KOHLER COMPANY

ENSEMBLE™

Features

- Compression molded from our exclusive solid Vikrell® material
- Durable high-gloss finish
- 10-year consumer/3-year commercial limited warranty
- Center drain
- 36-1/4" (92.1 cm) x 36" (91.4 cm) X 4-1/2" (11.4 cm) receptor rough-in dimensions include nailing flange
- 36" (91.4 cm) x 36" (91.4 cm) X 3-1/2" (8.9 cm) unit finished dimensions

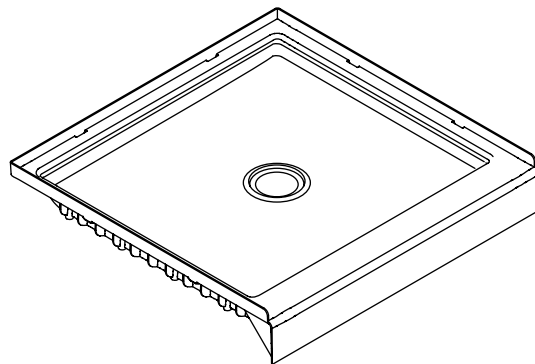
36" (91.4 cm) x 36" (91.4 cm)
SHOWER RECEPTOR
72161100



Codes/Standards Applicable

Specified model meets or exceeds the following:

- ANSI Z124.1.2
- ASTM E162
- ASTM E662
- CSA B45



Colors/Finishes

- 0: White
- Other: Refer to Price Book for additional colors/finishes

Specified Model

Model	Description	Colors/Finishes
72161100	36" (91.4 cm) x 36" (91.4 cm) shower receptor, center drain	<input type="checkbox"/> 0 <input type="checkbox"/> Other _____

ENSEMBLE™

Technical Information

Basin area	Weight	Drain Hole
27-13/16" (70.6 cm) x 30-5/16" (77 cm)	25 lbs (12 kg)	3-5/16" (8.4 cm) OD

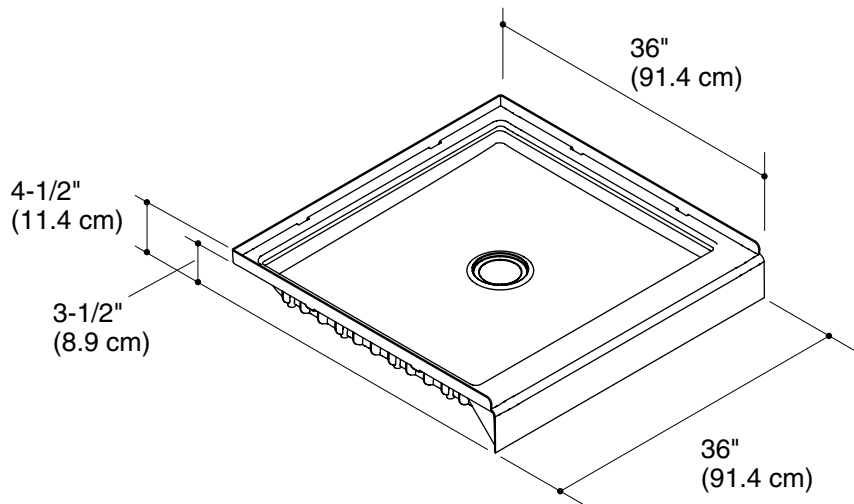
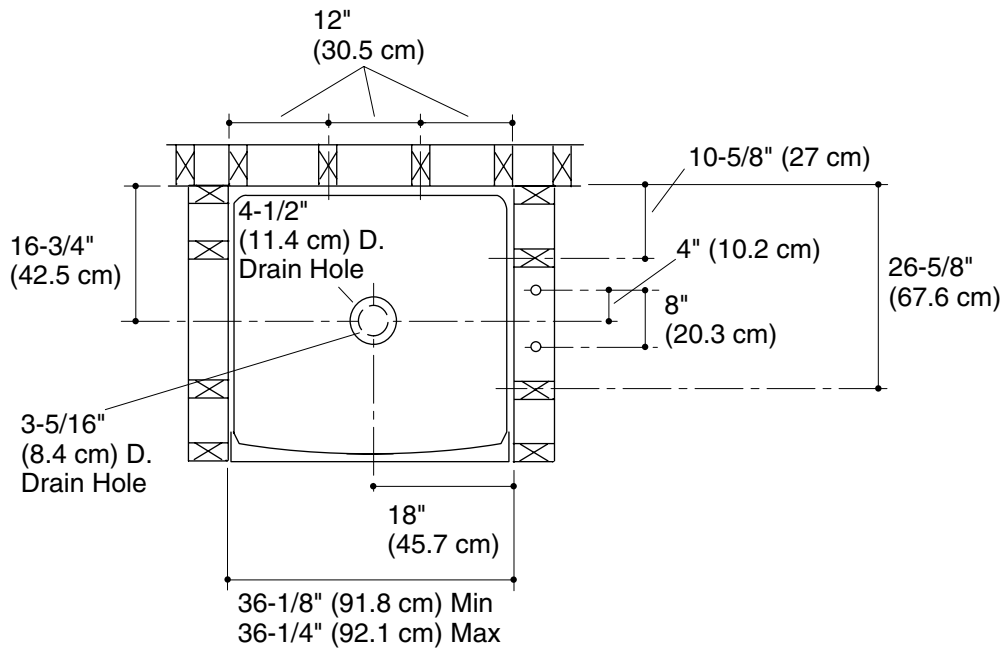
Installation Notes

Install this product according to the installation guide.

Size the drain cutout to fit the drain assembly that will be used.

Double studding is recommended for pivot shower door installations.

Studs should be positioned as shown.



Product Diagram

ENSEMBLE™ 36" (91.4 cm) x 36" (91.4 cm) SHOWER RECEPTOR

Page 2 of 2
1063919-4-B

STERLING
A KOHLER COMPANY