

Product Catalog

Effective Aug 29th

2022



QuickTrim®
Easy to Change
Finish
Page 48



Universal NuFit®
Makes Old
Drains New
Page 40



901 Innovator®
The Industry Standard
Page 13










Innovator Shower Drain



New for 2022
Page 11



Ideallav™
Removable Grid
Internal Stopper
Page 38

Schedule 40 _____	6-24	
Flexible Series _____	6	
Innovator® Cable Series _____	9	
9300 Innovator® Shower Drain_11		
900 Innovator® Series _____	12	
900 Innovator® Drain Series _____	16	
400 Perfect Fit Series _____	21	
600 One-Hole Series _____	22	
Tubular Plastic _____	25-27	
Tubular Brass _____	28-36	
Lavatory _____	37-39	
Trim Kits _____	40-53	
Tub Closures _____	54-55	
Faceplate Kits _____	56	
Bushings/Accessories _____	57	
Spec Sheets _____	58-65	
Parts by Number _____	66-68	
Parts by Category _____	69-72	
Terms & Conditions _____	73	
Freight Allowance _____	73	
Tech Notes _____	74-75	



Flex
Eliminates Offsets
Page 6



Bath Wastes and Trim Kits



Table of Contents

QUICK-FIND PRODUCT NUMBER LOCATOR 4-5

SCHEDULE 40

FLEXIBLE BATH WASTES

WatcoFlex®	Direct Drains with Direct Drain Tee	6
Flex900 Series	Flex916 / Flex924 with Sanitary Tee	7
Flexible Innovator CableFlex® Series	928 / 938 / 948 CableFlex®	8
Flexible Innovator Drain Series	Flex916N & Flex924N	18

INNOVATOR CABLE®

CableFlex®	928 / 938 / 948 CableFlex®	8
Schedule 40 rigid pipe	970 / 980 / 990 Cable	9
Cable Half Kits	971 / 981 / 991 Cable	10

SCHEDULE 40 BATH WASTES

Innovator® Shower Drain	9300 Innovator® Shower Drain	11
900 Series	900 / 902 Innovator® Series	12-14
	915 / 917 / 918 Half Kits with Hub or Spigot Adapters	15
	920 / 921 / 951 / 961 ABS stopper/knob, zinc or brass bodies ..	12-13
	940 / 941 Innovator® Plus Series	12-14
Innovator® Drain Series	900N / 901N / Flex916N / Flex924N / Stoppers	16-17
Perfect Fit Series	400 / 401 Perfect Fit Series	21
600 Series	600 / 601 1-Hole Faceplate Series	22
	Trip Lever / SLIPLOCK® / TURNSTYLE®	23
	620 / 621 / 651 / 661 ABS stopper/knob, zinc or brass bodies ..	23
	610 / 612 / 614 / 615 / 616 / 617 with Hub or Spigot Adapters...	24

TUBULAR PLASTIC

500 Series	500 / 550 / 2-Hole / SLIPLOCK® Bath Wastes	25
	500 / 550 Trip Lever / QUICK ADJUST® / TURNSTYLE®	25
	510 Quarter Kit / 590 / 594 Innovator®	27
	595 Innovator® & 515 Direct Drains	27

TUBULAR BRASS

501 / 502 Series	501 / 551 Series – 502 / 552 Series, 17 & 20-gauge	30-31
Trip-Lever Type	501 / 502 – 551 / 552 QUICK ADJUST® & Trip Lever	30
	501 / 502 – 551 / 552 TURNSTYLE®	33
Tub Closures / Direct Drains	511 Tub Closures – 512 & 593 Innovator® Direct Drains	33
Innovator Brass Drains	591 / 598 – 592 / 599 Innovator® 17 & 20-gauge	34-35
Cable / Chicago-Code	528 / 538 Cable, 20g – 567 / 568 Chicago Code, 17g	36

LAVATORY DRAINS

800 / 801 Series – 700 ABS	41-43
----------------------------------	-------

TRIM KITS / TUB CLOSURES / REPLACEMENT STOPPERS

Trim Kits	Universal NuFit® Trim Kits and Tub Closures	40-45
	NuFit® Trim Kits and Tub Closures	46-47
	QuickTrim® Trim Kits and Tub Closures	48
	528/538 Brass Cable Trim Kits; Innovator Cable Trim Kits	49
	Coarse-Thread / Fine-Thread Innovator® & 1-Hole Trim Kits ...	50-51
	Trip-Lever Type Trim Kits	52-53
Tub Closures / Replacement Stoppers / Faceplate Kits		54-56

BUSHINGS / ACCESSORIES

Bushings / Test Kits / Measuring Kits / Miscellaneous	57
---	----

OTHER INFORMATION

Spec Sheets	Schedule 40:58-62 / Tubular Plastic: 62-64 / Brass: 64-65
Parts	Listed by Part No.: 66-68 / Listed by Category: 69-72
Carded Packaging (NOTE: Place “-C” at end of part number.)	73
Policies and Miscellaneous Information	73
TechNotes	74-75
Representatives	Back Cover

Pricing available on www.watcomfg.com



Bath Waste Numbering System



Example of Product #:

901 — **FA** — **PVC** — **CP** — ***
 Series Number — Stopper — Material — Finish

1

SERIES










Examples:

- FLEX
- FLEX916
- 928-CA
- 970-CA
- 971-CA
- 900
- 901
- 902
- 915
- 917
- 921
- 951
- 952
- 900N
- 901N
- 902N
- 401
- 600
- 601
- 621
- 651
- 661
- 610
- 612
- 614
- 615
- 617
- 500
- 550
- 510
- 515
- 595
- 590
- 501
- 591

Etc.

2

STOPPERS

- CA =  CABLE
- FA =  FOOT ACTUATED
- LT =  LIFT AND TURN
- PF =  PRESFLO®
- PP =  PUSH PULL®
- SL =  SLIP LOCK®
- TL =  TRIP LEVER
- TQ =  TL QUICK ADJUST®
- TS =  TURNSTYLE®






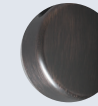







3

TUBING / FITTING MATERIAL

-  **ABS**
Acrylonitrile Butadiene Styrene (Black)
-  **BRS**
17-Gauge & 20-Gauge Brass Pipe
-  **FLEX**
Flexible PVC Pipe (Green)
-  **PVC**
Polyvinyl Chloride (White)

4

FINISHES AVAILABLE

-  **AP**
Aged Pewter
-  **BB***
(Champagne Bronze)
-  **BN***
Brushed Nickel
-  **BO**
Bone
-  **BS**
Biscuit
-  **BZ**
Oil-Rubbed Bronze
-  **CB**
Chrome Brushed
-  **CP**
Chrome Plated
-  **NP***
Nickel Polished
-  **PB***
Polished Brass
-  **WH**
White
-  **WI**
Wrought (Matte Black)
-  **NEW BG**
Brushed Gold
* PVD Finish

5 OPTIONS

*** Many options are available and are found throughout the various products.



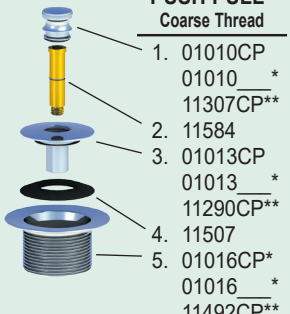
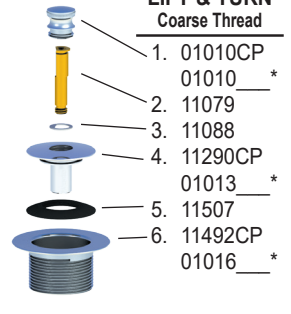
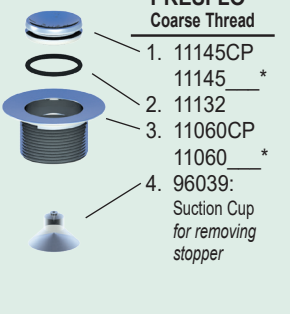
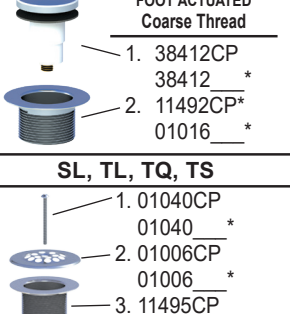
Product Index

Find products beginning with...

ITEM #	PAGE	ITEM #	PAGE	ITEM #	PAGE	ITEM #	PAGE	ITEM #	PAGE
1		3		3 Cont.		4		5	
10121.....	57	38080.....	51	38317.....	55	400-.....	21	551-TS.....	33
10770.....	52	38090.....	51	38319.....	55	401-.....	21	552-.....	31
10771.....	52	38100BUSH ...	57	38321.....	55	48100.....	47	552-TQ.....	32
11111-SET.....	57	38101.....	57	38325.....	55	48200.....	47	552-TS.....	33
11114.....	57	38102.....	57	38329.....	54	48300.....	47	567.....	36
11519.....	54	38103.....	57	38333.....	54	48301.....	49	568.....	36
11547	41, 43, 45	38104.....	57	38350.....	55	48400.....	47	58080.....	51
11551	41, 43, 45	38105.....	57	38360.....	54	48500.....	47	58190.....	51
11554	41, 43, 45	38106.....	57	38370.....	54	48600.....	47	58220.....	55
11565.....	57	38107.....	57	38375.....	55	487SA-PP....	41-43	58290.....	50
11573.....	57	38108.....	57	38380.....	55	48700-FA....	44-45	58296.....	50
11574.....	57	38109.....	57	38385.....	55	48700-PP....	40-43	58301.....	55
11577.....	57	38110.....	57	38390.....	50	48701-FA....	45	58305.....	54
11579.....	57	38111.....	57	38390W.....	50	48701-PP ...	41-43	58306.....	54
11587.....	57	38112.....	57	38395.....	55	4870N-FA....	44-45	58307.....	55
11594.....	57	38113.....	57	38410.....	54	4870N-PP...	40-43	58308.....	55
18001.....	56	38114.....	57	38412.....	54	48750-FA....	44-45	58309.....	55
18002.....	56	38115.....	57	38420.....	51	48750-PP....	40-43	58317.....	55
18003.....	56	38116.....	57	38433.....	50	48751-FA....	45	58319.....	55
18009.....	56	38170.....	53	38490.....	51	48751-PP....	40-43	58321.....	55
18660.....	52	38180.....	53	38516.....	54	4875N-FA...	44-45	58329.....	54
18661.....	52	38190.....	51	38520.....	54	4875N-PP...	40-43	58333.....	54
18662.....	52	38194.....	51	38530.....	54	5			
18663.....	52	38212.....	51	38540.....	54	500-.....	25	58350.....	55
18702.....	56	38219.....	55	38610.....	54	500-SL.....	25	58390.....	50
		38220.....	55	38651.....	54	500-TL.....	26	58390W.....	50
		38250.....	50	38660.....	52	500-TQ.....	26	58433.....	50
		38260.....	51	38661.....	52	500-TS.....	26	58490.....	51
		38270.....	51	38702.....	52	501-.....	30	590-.....	27
		38280.....	50	38710.....	54	501-TQ.....	32	591-.....	34
		38290.....	50	38770.....	53	501-TS.....	33	592-.....	35
		38296.....	50	38771.....	53	502-.....	31	59290.....	48
20200.....	53	38301.....	55	38810.....	54	502-TQ.....	32	593-.....	33
		38305.....	54	38812.....	54	502-TS.....	33	594.....	27
		38306.....	54	38921.....	54	510-.....	27	595-.....	27
		38307.....	55	39100.....	53	511-.....	33	598-.....	34
		38308.....	55	39290.....	48	511-TL.....	33	599-.....	35
		38309.....	55	39500.....	53	512-.....	33		
		38312.....	55	39551.....	53	515-.....	27		
		38313.....	55						

Pricing available on www.watcomfg.com

OPTIONAL TUB CLOSURES FOR MOST WATCO COARSE-THREAD BATH WASTES - 1.865"X11.5 TPI

<p>PUSH PULL® Coarse Thread</p>  <ol style="list-style-type: none"> 01010CP 01010 * 11307CP** 11584 01013CP 01013 * 11290CP** 11507 01016CP* 01016 * 11492CP** 	<p>LIFT & TURN Coarse Thread</p>  <ol style="list-style-type: none"> 01010CP 01010 * 11079 11088 11290CP 01013 * 11507 11492CP 01016 * 	<p>PRESFLO® Coarse Thread</p>  <ol style="list-style-type: none"> 11145CP 11145 * 11132 11060CP 11060 * 96039: Suction Cup for removing stopper 	<p>FOOT ACTUATED Coarse Thread</p>  <ol style="list-style-type: none"> 38412CP 38412 * 11492CP* 01016 * <p>SL, TL, TQ, TS</p> <ol style="list-style-type: none"> 01040CP 01040 * 01006CP 01006 * 11495CP
---	--	--	--

* If finish other than Chrome is desired, please use this part number and indicate desired finish.
** Plastic Knob, Stopper, and Zinc Body

For 12 tpi, see pages 50 and 54.



Product Index



Find products beginning with...

ITEM #	PAGE	ITEM #	PAGE	ITEM #	PAGE	ITEM #	PAGE	ITEM #	PAGE
6		Lavatory		9		9 Cont.		A - Z	
600-.....	22	7		900-.....	12	940-.....	12	FLEX__.....	6
600-SL.....	23	700-PP-ABS....	37	900N-.....	16	941-.....	14	FLEX916.....	7
600-TL.....	23	715-P.....	38	900NRI-.....	16	948-CA.....	8	FLEX916N.....	18
600-TS.....	23	715-B.....	38	900NSA.....	20	948100.....	46	FLEX916NRI..	18
601-.....	22	8		900NSF-.....	16-18	948400.....	46	FLEX924.....	7
610-.....	24	800-PP.....	37	900TK.....	20	948500.....	46	FLEX924N.....	18
612-.....	24	800-PF.....	37	901-.....	13	948700-FA.....	44	FLEX924NRI..	18
614-.....	24	801-PP.....	37	901N-.....	17	948700-PP... 40-42		U39290.....	48
615-.....	24	801-PF.....	37	901NRI-.....	17	948701-FA.....	45	U939290.....	48
616-.....	24	815-P.....	38	902-.....	14	948701-PP... 41-43		W900-.....	12
617-.....	24	815-B.....	38	91050-.....	48	94870N-FA...44-45		W901.....	13
620-.....	23			91100.....	50	94870N-PP...40,42		Condensate	
621-.....	23			91105.....	50	94870N... 40,42,44		Adapter.....	57
650-TL.....	23			915-.....	15	951.....	13		
650-TS.....	23			91600.....	51	958080.....	51		
651-.....	23			91610.....	48	958190.....	51		
661-.....	23			91615.....	48	958290.....	50		
68080.....	51			91618.....	48	959290.....	48		
68190.....	51			91651.....	48	968080.....	51		
68290.....	50			917-.....	15	968190.....	51		
68296.....	50			918-.....	15	968290.....	50		
68301.....	55			920.....	12	969290.....	48		
68305.....	54			921.....	13	970-CA.....	9		
68306.....	54			928-CA.....	8	971-CA.....	10		
68307.....	55			928-CASF....	8-10	980-CA.....	9		
68308.....	55			92867 (#23)...	58	981-CA.....	10		
68309.....	55			92874.....	8-10	990-CA.....	9		
68317.....	55			92888.....	49	991-CA.....	10		
68319.....	55			92900.....	49				
68321.....	55			92999.....	49				
68329.....	54			9300.....	11				
68333.....	54			938-CA.....	8				
68390.....	50			938080.....	51				
68390W.....	50			938190.....	51				
68433.....	50			938250.....	50				
68490.....	51			938260.....	51				
69290.....	48			938270.....	51				
				938290.....	50				
				939290.....	48				

Pricing available on www.watcomfg.com

OPTIONAL TUB CLOSURES FOR MOST WATCO FINE-THREAD BATH WASTES - 1.625"X16 TPI

<p>PUSH PULL® Fine Thread</p> <ol style="list-style-type: none"> 01010CP 01010__* 11584 01013CP 01013__* 11290CP** 11507 01022CP* 01022__* 	<p>LIFT & TURN Fine Thread</p> <ol style="list-style-type: none"> 01010CP 01010__* 11079 11088 11290CP 01013__* 11507 01022CP 01022__* 	<p>PRESFLO® Fine Thread</p> <ol style="list-style-type: none"> 11155CP 11155__* 11131 11070CP 11070__* 96039: Suction Cup for removing stopper 	<p>FOOT ACTUATED Fine Thread</p> <ol style="list-style-type: none"> 38412CP 38412__* 01022CP* 01022__* <hr/> <p>SL, TL, TQ, TS</p> <ol style="list-style-type: none"> 01040CP 01040__* 01006CP 01006__* 11490CP
---	---	---	--

* If finish other than Chrome is desired, please use this part number and indicate desired finish.
 ** Plastic Knob, Stopper, and Zinc Body

For 14 tpi, see pages 51 and 55.



Innovator® Flex Series

(Flexible Tubing • Built-In Testing & Snap-On Overflow Plate • Coarse Thread: 11.5 tpi)

WatcoFlex® Direct Drain Only

Complete Bath Wastes
Rough-In Kits
Stopper/Faceplate Kits
PVC and ABS Fittings



LT



PP

**WITH OPTIONAL
W-OVERFLOW COVER**
Fits Kohler's Tea-for-Two tub.

FLEX ___ - ___ -CP-T42 **Call**
BN-BZ-CB-NP-PB **Call**



LIFT AND TURN



PUSH PULL®



PF

PRESFLO®
ADA



FA

FOOT ACTUATED
ADA

See Web XLXS
for ABS Fittings

12 Per Carton

COMPLETE BATH WASTE KIT

Complete Bath Wastes Lengths 14.5" to 17" Long	Part Number
	FLEX ___ -LT-PVC-CP
	FLEX ___ -PP-PVC-CP
	FLEX ___ -PF-PVC-CP
	PF: Not in BO-BS-WH
	FLEX ___ -FA-PVC-CP
	FA: BB-BN-BZ-CB-CP-NP-PB-WI

Other Finishes:

AP	BS	PB
BB	BZ	WH
BN	CB	WI
BO	NP	

Complete Bath Wastes Lengths 17.5" to 21" Long	Part Number
	FLEX ___ -LT-PVC-CP
	FLEX ___ -PP-PVC-CP
	FLEX ___ -PF-PVC-CP
	PF: Not in BO-BS-WH
	FLEX ___ -FA-PVC-CP
	FA: BB-BN-BZ-CB-CP-NP-PB-WI

Call For FLEX215 and Longer

Other Finishes:

AP	BS	PB
BB	BZ	WH
BN	CB	WI
BO	NP	

ROUGH IN

RI (Rough-IN) Fittings-Tubing-Strainer Body Lengths 14.5" to 17" Long	Part Number
	FLEX ___ -LTRI-PVC-CP
	FLEX ___ -PPRI-PVC-CP
	FLEX ___ -PFRI-PVC-CP
	PF: Not in BO-BS-WH
	FLEX ___ -FARI-PVC-CP
	FA: BB-BN-BZ-CB-CP-NP-PB-WI

Other Finishes:

AP	BS	PB
BB	BZ	WH
BN	CB	WI
BO	NP	

RI (Rough-IN) Fittings-Tubing-Strainer Body Lengths 17.5" to 21" Long	Part Number
	FLEX ___ -LTRI-PVC-CP
	FLEX ___ -PPRI-PVC-CP
	FLEX ___ -PFRI-PVC-CP
	PF: Not in BO-BS-WH
	FLEX ___ -FARI-PVC-CP
	FA: BB-BN-BZ-CB-CP-NP-PB-WI

Call For FLEX215 and Longer

Other Finishes:

AP	BS	PB
BB	BZ	WH
BN	CB	WI
BO	NP	

+PLUS+ Stopper/Face Plate

900-Series SF (FLEX ___) STOPPER/FACE PLATE NOT A TRIM KIT-NO STRAINER BODY	PartNumber
	900-LTSF-0-CP
	900-PPSF-0-CP
	900-PFSF-0-CP
	PF: Not in BO-BS-WH
	900-FASF-0-CP
	FA: BB-BN-BZ-CB-CP-NP-PB-WI

Other Finishes:

AP	BS	PB
BB	BZ	WH
BN	CB	WI
BO	NP	

Example Product #:
FLEX230 — **PF** — **PVC** — **CP** — *******
Series Number Tub Closure Material Finish Option

Each WatcoFlex® bath waste is custom-fit to each bathtub model.
PLEASE PROVIDE THE TUB MANUFACTURER AND MODEL NUMBER WHEN ORDERING.
 FLEX___: The length portion (___) of the WatcoFlex® model number will be determined by the tub's dimensions.
Choose either a complete bath waste OR a rough-in kit and stopper/faceplate kit.

Patented and Patents Pending
See watcomfg.com for details.

Pricing available on www.watcomfg.com



Innovator® Flex Series

(Flexible Tubing • Built-In Testing & Snap-On Overflow Plate • Coarse Thread: 11.5 tpi)

Flex900 Series Flex916 and Flex 924 Sanitary Tee and Drain Pipe



To order the Flex916 or Flex924 without a Tee or Drain Pipe, add "-13" to part number.
 Example:
 FLEX916-PP-PVC-CP-13
 *Available only in -CP

Complete Bath Wastes
 Rough-In Kits
 Stopper/Faceplate Kits
 PVC and ABS Fittings

See Web XLXS for ABS Fittings
 12 Per Carton



COMPLETE BATH WASTE KIT

Complete Bath Wastes With Tubing 16" Long	Part Number
FLEX916-LT-PVC-CP	
FLEX916-PP-PVC-CP	
FLEX916-PF-PVC-CP	
PF: Not in BO-BS-WH	
FLEX916-FA-PVC-CP	
FA: BN-BZ-CB-CP-NP-PB-WI	

Other Finishes:

AP	BS	PB
BB	BZ	WH
BN	CB	WI
BO	NP	

Complete Bath Wastes With Tubing 24" Long	Part Number
FLEX924-LT-PVC-CP	
FLEX924-PP-PVC-CP	
FLEX924-PF-PVC-CP	
PF: Not in BO-BS-WH	
FLEX924-FA-PVC-CP	
FA: BN-BZ-CB-CP-NP-PB-WI	

Other Finishes:

AP	BS	PB
BB	BZ	WH
BN	CB	WI
BO	NP	

ROUGH IN

RI (Rough-IN) Fittings - Tubing - Strainer Body With Tubing 16" Long	Part Number
FLEX916-LTRI-PVC-CP	
FLEX916-PPRI-PVC-CP	
FLEX916-PFRI-PVC-CP	
PF: Not in BO-BS-WH	
FLEX916-FARI-PVC-CP	
FA: BB-BN-BZ-CB-CP-NP-PB-WI	

Other Finishes:

AP	BS	PB	0
BB	BZ	WH	0
BN	CB	WI	0
BO	NP		

RI (Rough-IN) Fittings - Tubing - Strainer Body With Tubing 24" Long	Part Number
FLEX924-LTRI-PVC-CP	
FLEX924-PPRI-PVC-CP	
FLEX924-PFRI-PVC-CP	
PF: Not in BO-BS-WH	
FLEX924-FARI-PVC-CP	
FA: BB-BN-BZ-CB-CP-NP-PB-WI	

Other Finishes:

AP	BS	0	PB	0
BB	BZ	0	WH	0
BN	CB	0	WI	0
BO	NP	0		

+PLUS+ Stopper/Face Plate

900-Series SF (FLEX_) STOPPER/FACEPLATE NOT A TRIM KIT - NO STRAINER BODY	Part Number
900-LTSF-0-CP	
900-PPSF-0-CP	
900-PFSF-0-CP	
PF: Not in BO-BS-WH	
900-FASF-0-CP	
FA: BB-BN-BZ-CB-CP-NP-PB-WI	

Other Finishes:

AP	BS	PB
BB	BZ	WH
BN	CB	WI
BO	NP	

Example Product #:
FLEX916 — **PF** — **PVC** — **CP** — *******
 Series Number Tub Closure Material Finish Option

The Overflow end of the Flex tubing is factory-welded.
 The Tee end of the Flex tubing is loose, designed to be cut and fit in the field, using standard PVC-joining techniques.
 Choose either a complete bath waste OR a rough-in kit and stopper/faceplate kit.

Pricing available on www.watcomfg.com



Innovator Cable Flex®

(Flexible PVC Tubing • OF Elbow Spin-Welded to Tubing • Built-In Testing • Coarse Thread: 11.5 tpi)

Innovator CableFlex® Fully-Testable Cable Bath Waste

- Fully repairable from inside the tub.
- Overflow installs in minutes.
- Self-centering, aligning, and self-sealing overflow.
- Positive mechanical stop stays open in deep water.



928-CA-PVC-CP
Testable Cable

Schedule 40 Fittings, **PVC**

See Web XLXS for ABS Fittings
12 Per Carton

COMPLETE BATH WASTE KIT

Complete Bath Wastes Most Tubs up to 16" Deep	Part Number
	928-CA-PVC-CP

Other Finishes:

AP	BS	NP
BB	BZ	PB
BN	CB	WH
		WI

Most Tubs up to 24" Deep	Part Number
	938-CA-PVC-CP

Other Finishes:

AP	BS	NP
BB	BZ	PB
BN	CB	WH
		WI

Most Tubs up to 36" Deep	Part Number
	948-CA-PVC-CP

Other Finishes:

AP	BS	NP
BB	BZ	PB
BN	CB	WH
		WI

Example Product #:
928 - CA - PVC - CP - ***
Series # Tub Closure Material Finish Option

Order ADA Handle separately

Part Number
92874-CP

Other Finishes:

AP	BS	NP
BB	BZ	PB
BN	CB	WH

Add "-TR" to cable part number.
 Example: 938-CA-PVC-BZ-TR

928-CA (21" cable)
 Fits most tubs up to 16" deep

938-CA (34" cable)
 Fits most tubs up to 24" deep

948-CA (48" cable)
 Fits most tubs up to 36" deep

Patented and Patents Pending
 See watcomfg.com for details.

ROUGH IN

Fittings - Tubing - Strainer Most Tubs up to 16" Deep	Part Number
	928-CARI-PVC-CP

Other Finishes:

AP	BS	NP
BB	BZ	PB
BN	CB	WH
		WI

Most Tubs up to 24" Deep	Part Number
	938-CARI-PVC-CP

Other Finishes:

AP	BS	NP
BB	BZ	PB
BN	CB	WH
		WI

Most Tubs up to 36" Deep	Part Number
	948-CARI-PVC-CP

Other Finishes:

AP	BS	NP
BB	BZ	PB
BN	CB	WH
		WI

+PLUS+ Stopper/Face Plate

SF - Stopper/Faceplate For All Innovator Cable Models Not a Trim Kit - No Strainer Body	Part Number
	928-CASF-CP

Other Finishes:

AP	BS	NP
BB	BZ	PB
BN	CB	WH
		WI

To quickly change the finish of the roughed-in strainer body, order the 928-CASF (above) with the Watco QuickTrim® strainer body cover and o-ring. Simply snaps over the existing strainer body.
Order below.

QuickTrim® Strainer Body Cover and O-Ring	Part Number
	928-CASF-CPQ

Other Finishes:

APQ	BSQ	NPQ
BBQ	BZQ	PBQ
BNQ	CBQ	WHQ
		WIQ

Pricing available on www.watcomfg.com



Innovator Cable® Complete Kit

(Solvent-Weld Assembly • Built-In Testing • Coarse Thread: 11.5 tpi)



Innovator Cable® Fully-Testable Cable Bath Waste

- Fully repairable from inside the tub.
- Overflow installs in minutes.
- Self-centering, aligning, and self-sealing overflow.
- Positive mechanical stop stays open in deep water.

Schedule 40 Fittings, **ABS and PVC**

970-CA-PVC-CP
Testable Cable



970-CA (21" cable)

Fits most tubs up to 16" deep

980-CA (34" cable)

Fits most tubs up to 24" deep

990-CA (48" cable)

Fits most tubs up to 36" deep

See Web XLXS
for ABS Fittings

12 Per Carton

Patented and Patents Pending
See watcomfg.com for details.

COMPLETE BATH WASTE KIT

Complete Bath Wastes
Most Tubs up to 16" Deep

Part Number

970-CA-PVC-CP

Other Finishes:

AP	BS	NP
BB	BZ	PB
BN	CB	WH
		WI

Most Tubs up to 24" Deep

Part Number

980-CA-PVC-CP

Other Finishes:

AP	BS	NP
BB	BZ	PB
BN	CB	WH
		WI

Most Tubs up to 36" Deep

Part Number

990-CA-PVC-CP

Other Finishes:

AP	BS	NP
BB	BZ	PB
BN	CB	WH
		WI

ROUGH IN

Fittings - Tubing - Strainer

Most Tubs up to 16" Deep

Part Number

970-CARI-PVC-CP

Other Finishes:

AP	BS	NP
BB	BZ	PB
BN	CB	WH
		WI

Most Tubs up to 24" Deep

Part Number

980-CARI-PVC-CP

Other Finishes:

AP	BS	NP
BB	BZ	PB
BN	CB	WH
		WI

Most Tubs up to 36" Deep

Part Number

990-CARI-PVC-CP

0

Other Finishes:

AP	BS	NP
BB	BZ	PB
BN	CB	WH
		WI

+PLUS+ Stopper/Face Plate

SF - Stopper/Faceplate
For All Innovator Cable
Models Not a Trim Kit - No
Strainer Body

Part Number

928-CASF-CP

Other Finishes:

AP	BS	NP
BB	BZ	PB
BN	CB	WH
		WI

To quickly change the finish of the roughed-in strainer body, order the 928-CASF (above) with the Watco QuickTrim® strainer body cover and o-ring. Simply snaps over the existing strainer body.
Order below.

QuickTrim®

Strainer Body Cover and O-Ring

Part Number

928-CASF-CPQ



Other Finishes:

APQ	BSQ	NPQ
BBQ	BZQ	PBQ
BNQ	CBQ	WHQ
		WIQ

TRIM KITS for Innovator CableFlex® & Innovator Cable®

Regular and QuickTrim cable trim kits available.
For full selection see page 49.



92999



92888

WATCO



Innovator® Cable® Half Kit

(Solvent-Weld Assembly • Built-In Testing • Coarse Thread: 11.5 tpi)

Innovator Cable®

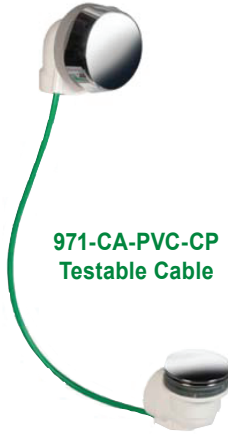
Fully-Testable Cable Half Kits

- Fully repairable from inside the tub.
- Overflow installs in minutes.
- Self-centering, aligning, and self-sealing overflow.
- Positive mechanical stop stays open in deep water.

Schedule 40 Fittings, **ABS and PVC**

See Web XLXS
for ABS Fittings

12 Per Carton



971-CA-PVC-CP
Testable Cable

971-CA (21" cable)

Fits most tubs up to 16" deep

981-CA (34" cable)

Fits most tubs up to 24" deep

991-CA (48" cable)

Fits most tubs up to 36" deep

Patented and Patents Pending
See watcomfg.com for details.

BATH WASTE HALF KIT

COMPLETE BATH WASTE KIT

ROUGH IN

Complete Bath Wastes Most Tubs up to 16" Deep		Part Number
		971-CA-PVC-CP

Other Finishes:

AP	BS	NP
BB	BZ	PB
BN	CB	WH
		WI

Most Tubs up to 24" Deep		Part Number
		981-CA-PVC-CP

Other Finishes:

AP	BS	NP
BB	BZ	PB
BN	CB	WH
		WI

Most Tubs up to 36" Deep		Part Number
		991-CA-PVC-CP

Other Finishes:

AP	BS	NP
BB	BZ	PB
BN	CB	WH
		WI

Most Tubs up to 16" Deep		Part Number
		971-CARI-PVC-CP

Other Finishes:

AP	BS	NP
BB	BZ	PB
BN	CB	WH
		WI

Most Tubs up to 24" Deep		Part Number
		981-CARI-PVC-CP

Other Finishes:

AP	BS	NP
BB	BZ	PB
BN	CB	WH
		WI

Most Tubs up to 36" Deep		Part Number
		991-CARI-PVC-CP

Other Finishes:

AP	BS	NP
BB	BZ	PB
BN	CB	WH
		WI

+PLUS+ Stopper/Face Plate

SF - Stopper/Faceplate For All Innovator Cable Models Not a Trim Kit - No Strainer Body		Part Number
		928-CASF-CP

AP	BS	NP
BB	BZ	PB
BN	CB	WH
		WI

To quickly change the finish of the roughed-in strainer body, order the 928-CASF (above) with the Watco QuickTrim® strainer body cover and o-ring. Simply snaps over the existing strainer body. Order below.

QuickTrim® Strainer Body Cover and O-Ring		Part Number
		928-CASF-CPQ



Other Finishes:

APQ	BSQ	NPQ
BBQ	BZQ	PBQ
BNQ	CBQ	WHQ
		WIQ

Example Product #:

981-CA-PVC-AP-***
Series # Tub Closure Material Finish Option

Order the ADA Handle separately



92874-CP

AP	BS	NP
BB	BZ	PB
BN	CB	WH



To Order with the Theft-Resistant Device

Add "-TR" to cable part number.
Example: 938-CA-PVC-BZ-TR



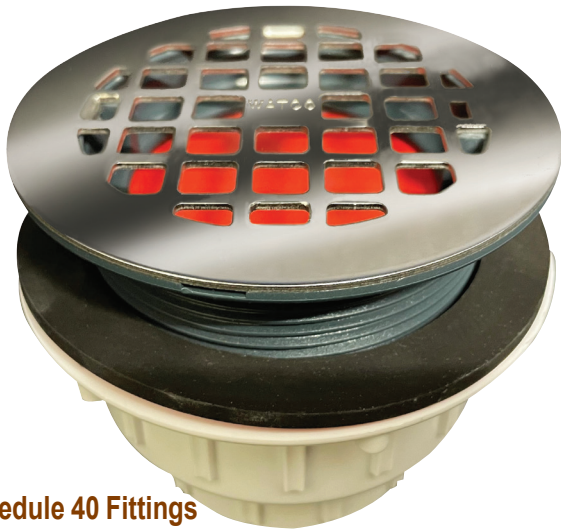
Innovator® Shower Drain



Innovator Shower Drain Fully-Testable

- Includes Watco Innovator® orange test membrane, testable to 22 P.S.I. or five floors. Simply punch out after testing.
- No test plug, caps or test ball required
- Available in Chrome, Brushed Nickel, Oil Rubbed Bronze, and Matte Black finishes.

**ABS
Or
PVC**



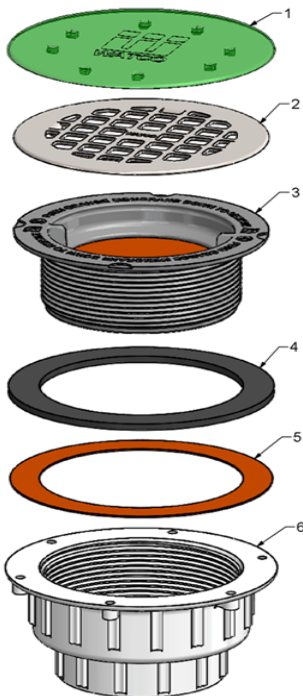
Schedule 40 Fittings

**SIMPLY PUNCH OUT AFTER TESTING.
NO MORE TEST BALLS, CAPS OR PLUGS**

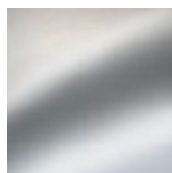
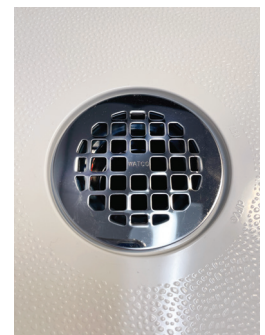


Finish	Part #
PVC	
Chrome	9300-PVC-CP
Brushed Nickel	9300-PVC-BN
Oil Rubbed Bronze	9300-PVC-BZ
Wrought Iron (Matte Black)	9300-PVC-WI
ABS	
Chrome	9300-ABS-CP
Brushed Nickel	9300-ABS-BN
Oil Rubbed Bronze	9300-ABS-BZ
Wrought Iron (Matte Black)	9300-ABS-WI
Grid Only	
Chrome	9300G-CP
Brushed Nickel	9300G-BN
Oil Rubbed Bronze	9300G-BZ
Wrought Iron (Matte Black)	9300G-WI
Shower Drain Rough In	
	930NG-PVC
	930NG-ABS

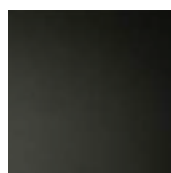
Pricing available on www.watcomfg.com



Item	Part #	Description
1	11117	Shower Protective Cover
2	9300G-	Grid - Multiple Finishes
3	14047	Shower Drain top thread flange
4	11567	Shower Drain Seal
5	11157	Shower Drain Slip Washer
6	11037	Shower Drain Receptor ABS
	14037	Shower Drain Receptor PVC



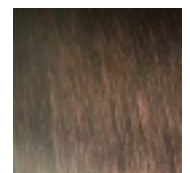
Chrome (CP)



Matte Black (WI)



Brushed Nickel (BN)



Oil-Rubbed
Bronze (BZ)



Innovator® 900 Series Complete

(Built-In Testing • Snap-On Overflow Plate • Solvent Weld Assembly • Coarse Thread: 11.5 tpi)

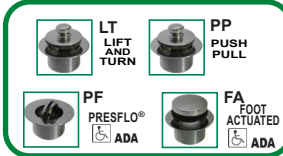
900 Innovator®

Complete Bath Wastes

Fits most tubs up to 16" deep

ABS and PVC

900-PP



#11577 Test Plug Included with all 900/901 Bath Kits

WITH OPTIONAL OVERFLOW COVER

Fits Kohler's Tea-for-Two tub.



900-__-__-CP-T42
BN-BZ-CB-NP-PB

Call
Call

See Web XLXS for ABS Fittings

12 Per Carton

COMPLETE BATH WASTE KIT

ROUGH IN

+PLUS+ Stopper/Face Plate

Most Tubs up to 16" Deep	
Part Number	
900-LT-PVC-CP	
900-PP-PVC-CP	
900-PF-PVC-CP	
PF: NOT in BO-BS-WH	
900-FA-PVC-CP	
FA: BB-BN-BZ-CB-CP-NP-PB-WI-WH	

900 RI (Rough-IN) Up to 16"	
Part Number	
900-LTRI-PVC-CP	
900-PPRI-PVC-CP	
900-PFRI-PVC-CP	
PF: NOT in BO-BS-WH	
900-FARI-PVC-CP	
FA: BB-BN-BZ-CB-CP-NP-PB-WI-WH	

900- Series SF	
Part Number	
900-LTSF-0-CP	
900-PPSF-0-CP	
900-PFSF-0-CP	
PF: NOT in BO-BS-WH	
900-FASF-0-CP	
FA: BB-BN-BZ-CB-CP-NP-PB-WI-WH	

Other Finishes:

AP	BS	PB	AP	BS	PB	AP	BS	PB
BB	BZ	WH	BB	BZ	WH	BB	BZ	WH
BN	CB	WI	BN	CB	WI	BN	CB	WI
BO	NP		BO	NP		BO	NP	

(Built-In Testing • Snap-On Overflow Plate • Solvent Weld Assembly • Coarse Thread: 11.5 tpi)

920 Innovator®

Chrome Only

ABS Stopper and Knob
Brass Strainer Body

ABS and PVC

920-PP



COMPLETE BATH WASTE KIT

920 PP Bath Wastes

Part Number

920-PP-PVC-CP

ROUGH IN

920 RI (Rough-IN)

Part Number

921-PPSF-0-CP

+PLUS+ Stopper/Face Plate

921 - Stopper/Faceplate

Part Number

920-PPRI-PVC-CP

See Web XLXS for ABS Fittings

(Snap-On Overflow Plate • Solvent Weld Assembly • Fine Thread: 16 tpi)

940 Innovator® Plus

Complete Bath Wastes

Fits most tubs up to 16" deep

ABS and PVC - FINE THREAD

940-PP



See Web XLXS for ABS Fittings

12 Per Carton

COMPLETE BATH WASTE KIT

ROUGH IN

+PLUS+ Stopper/Face plate

Most Tubs up to 16" Deep	
Part Number	
940-LT-PVC-CP	
940-PP-PVC-CP	
940-PF-PVC-CP	
PF: NOT in BO-BS-WH	
940-FA-PVC-CP	
FA: BB-BN-BZ-CB-CP-NP-PB-WI	

940 RI (Rough-IN) Up to 16"	
Part Number	
940-LTRI-PVC-CP	
940-PPRI-PVC-CP	
940-PFRI-PVC-CP	
PF: NOT in BO-BS-WH	
940-FARI-PVC-CP	
FA: BB-BN-BZ-CB-CP-NP-PB-WI-WH	

900- Series SF	
Part Number	
900-LTSF-0-CP	
900-PPSF-0-CP	
900-PFSF-0-CP	
PF: NOT in BO-BS-WH	
900-FASF-0-CP	
FA: BB-BN-BZ-CB-CP-NP-PB-WI-WH	

Other Finishes:

AP	BS	PB	AP	BS	PB	AP	BS	PB
BB	BZ	WH	BB	BZ	WH	BB	BZ	WH
BN	CB	WI	BN	CB	WI	BN	CB	WI
BO	NP		BO	NP		BO	NP	



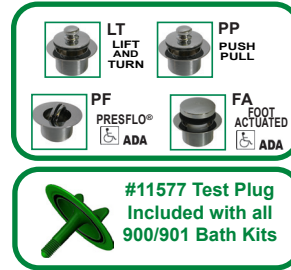
Innovator® 900 Series Half Kit

(Built-In Testing • Snap-On Overflow Plate • Solvent Weld Assembly • Coarse Thread: 11.5 tpi)



Innovator® 900 Series

901 Innovator® Bath Waste Half Kits ABS and PVC



WITH OPTIONAL OVERFLOW COVER
Fits Kohler's Tea-for-Two tub.

900-__-__-CP-T42 Call
BN-BZ-CB-NP-PB..... Call

See Web XLXS for ABS Fittings 12 Per Carton

COMPLETE BATH WASTE HALF KIT

Most Tubs up to 16" Deep	
Part Number	
901-LT-PVC-CP	
901-PP-PVC-CP	
901-PF-PVC-CP	
PF: NOT in BO-BS-WH	
901-FA-PVC-CP	
FA: BB-BN-BZ-CB-CP-NP-PB-WH-WI	

Other Finishes:

AP	BS	PB
BB	BZ	WH
BN	CB	WI
BO	NP	

901 RI (Rough-IN)	
Part Number	
901-LTRI-PVC-CP	
901-PPRI-PVC-CP	
901-PFRI-PVC-CP	
PF: NOT in BO-BS-WH	
901-FARI-PVC-CP	
FA: BB-BN-BZ-CB-CP-NP-PB-WH-WI	

AP	BS	PB
BB	BZ	WH
BN	CB	WI
BO	NP	

900- Series SF	
Part Number	
900-LTSF-0-CP	
900-PPSF-0-CP	
900-PFSF-0-CP	
PF: NOT in BO-BS-WH	
900-FASF-0-CP	
FA: BB-BN-BZ-CB-CP-NP-PB-WH-WI	

AP	BS	PB
BB	BZ	WH
BN	CB	WI
BO	NP	

Square Overflow Faceplate



FinishAdd -SQ
CP/ BN/BZ/WI

(Built-In Testing • Snap-On Overflow Plate • Solvent Weld Assembly • Coarse Thread: 11.5 tpi)

921 / 951 Innovator®

ABS Stopper and Knob

921 Chrome Only
with Brass Strainer Body

951 Chrome Only
with Zinc Strainer Body

ABS or PVC

COMPLETE BATH WASTE HALF KIT

921/951 PP Half Kits	
Part Number	
921-PP-PVC-CP	
951-PP-PVC-CP	
951-PP1-PVC-CP	

See Web XLXS for ABS Fittings
12 Per Carton

*PP1= Plastic Pin

ROUGH IN

+PLUS+ Stopper/Face plate



921/951 RI: Rough-In	
Part Number	
921-PPRI-PVC-CP	
951-PPRI-PVC-CP	
951-PPRI-PVC-CP	

921/951 Series	
Part Number	
921-PPSF-0-CP	
951-PPSF-0-CP	
900SF-PP1-CP	

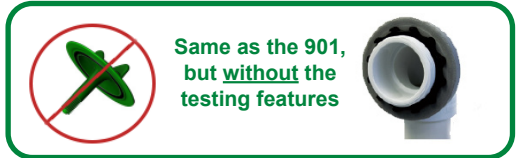


Innovator® 900 Series Half Kit

(Built-In Testing • Snap-On Overflow Plate • Solvent Weld Assembly • Coarse Thread: 11.5 tpi)

902 Innovator® Bath Wastes Half Kits

**NO Testing
ABS and PVC**



Comes with overflow and drain elbows, overflow plate assembly, and tub closure; no pipe or tee

See Web XLXS for ABS Fittings

12 Per Carton

COMPLETE BATH WASTE HALF KIT

Most Tubs up to 16" Deep	
Part Number	
902-LT-PVC-CP	
902-PP-PVC-CP	
902-PF-PVC-CP	
PF: NOT in BO-BS-WH	
902-FA-PVC-CP	
FA: BB-BN-BZ-CB-CP-NP-PB-WI	

ROUGH IN

902 RI (Rough-IN) Up to 16"	
Part Number	
902-LTRI-PVC-CP	
902-PPRI-PVC-CP	
902-PFRI-PVC-CP	
PF: NOT in BO-BS-WH	
902-FARI-PVC-CP	
FA: BB-BN-BZ-CB-CP-NP-PB-WI	

+PLUS+ Stopper/Face plate

900- Series SF	
Part Number	
900-LTSF-0-CP	
900-PPSF-0-CP	
900-PFSF-0-CP	
PF: NOT in BO-BS-WH	
900-FASF-0-CP	
FA: BB-BN-BZ-CB-CP-NP-PB-WI-WH	

Other Finishes:

AP	BS	PB
BB	BZ	WH
BN	CB	WI
BO	NP	

AP	BS	PB
BB	BZ	WH
BN	CB	WI
BO	NP	

AP	BS	PB
BB	BZ	WH
BN	CB	WI
BO	NP	

(Snap-On Overflow Plate • Solvent Weld Assembly • Fine Thread: 16 tpi)

941 Innovator® Plus Half Kits / Fine Threads

ABS or PVC



See Web XLXS for ABS Fittings

12 Per Carton

COMPLETE BATH WASTE HALF KIT

941: Bath Waste Half Kits	
Part Number	
941-LT-PVC-CP	
941-PP-PVC-CP	
941-PF-PVC-CP	
PF: NOT in BO-BS-WH	
941-FA-PVC-CP	
FA: BB-BN-BZ-CB-CP-NP-PB-WI	

ROUGH IN

941: RI (Rough-IN)	
Part Number	
941-LTRI-PVC-CP	
941-PPRI-PVC-CP	
941-PFRI-PVC-CP	
PF: NOT in BO-BS-WH	
941-FARI-PVC-CP	
FA: BB-BN-BZ-CB-CP-NP-PB-WI	

+PLUS+ Stopper/Face plate

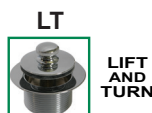
900- Series SF	
Part Number	
900-LTSF-0-CP	
900-PPSF-0-CP	
900-PFSF-0-CP	
PF: NOT in BO-BS-WH	
900-FASF-0-CP	
FA: BB-BN-BZ-CB-CP-NP-PB-WI-WH	

Other Finishes:

AP	BS	PB
BB	BZ	WH
BN	CB	WI
BO	NP	

AP	BS	PB
BB	BZ	WH
BN	CB	WI
BO	NP	

AP	BS	PB
BB	BZ	WH
BN	CB	WI
BO	NP	



Innovator® 900 Series Half Kits

(Built-In Testing • Snap-On Overflow Plate • Solvent Weld Assembly • Coarse Thread: 11.5 tpi)

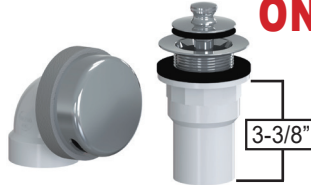
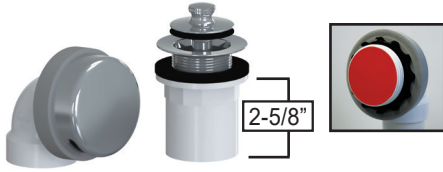


Innovator® Half Kits with Adapters 915 HUB ADAPTER

See Web XLXS
for ABS Fittings

918 SPIGOT - PVC ONLY

917 DRAIN TEE



915 Half Kits with Hub Adapter ABS & PVC	
Part Number	
915-LT-PVC-CP	
915-PP-PVC-CP	
915-PF-PVC-CP	
PF: NOT in BO-BS-WH	
915-FA-PVC-CP	
FA: BB-BN-BZ-CB-CP-NP-PB-WI	

AP	CB
BB	NP
BN	PB
BO	WH
BS	WI
BZ	

918 Half Kits with Spigot Adapter - PVC Only	
Part Number	
918-LT-PVC-CP	
918-PP-PVC-CP	
918-PF-PVC-CP	
PF: NOT in BO-BS-WH	
918-FA-PVC-CP	
FA: BB-BN-BZ-CB-CP-NP-PB-WI	

AP	CB
BB	NP
BN	PB
BO	WH
BS	WI
BZ	

917 Half Kits with Direct Drain Tee - ABS & PVC	
Part Number	
917-LT-PVC-CP	
917-PP-PVC-CP	
917-PF-PVC-CP	
PF: NOT in BO-BS-WH	
917-FA-PVC-CP	
FA: BB-BN-BZ-CB-CP-NP-PB-WI	

AP	CB
BB	NP
BN	PB
BO	WH
BS	WI
BZ	

Pricing available on www.watcomfg.com

QuickTrim® Kits

Install chrome on the rough-in and easily upgrade to a special finish without removing the strainer body See pages 48-49.

- No reduction in flow rate.
- Produces very little additional height or inside-diameter reduction.
- Uses an o-ring for a tight, snug fit (one for brass strainer bodies and one for zinc strainer bodies).
- Eliminates destroying the integrity of your test and the possibility of cross-threading or damaging the tub when replacing the strainer body.



Innovator® QuickTrim® Kits
Page 48



Innovator® Trim Kits
Pages 50 & 51



Coarse-Thread Tub Closures
Page 54



Replacement Stoppers
Pages 54

Schedule 40

Patented and Patents Pending
See watcomfg.com for details.

Innovator® Drain Series

Built-In Testing • Snap-On Overflow Plate • Solvent Weld Assembly • Coarse Thread: 11.5 tpi

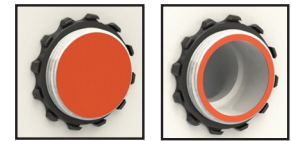
900N Innovator® Drain

Complete Bath Wastes

Fits most tubs up to 16" deep

See Web XLXS
for ABS Fittings

PP1 = Plastic Pin
PP2 = Brass Pin



Overflow Elbow Test Membrane
REMOVE AFTER TESTING



Drain Elbow Test Membrane
REMOVE AFTER TESTING

12 Per Carton

Complete Bath Wastes Plastic PIN	
Part Number	
900N-PP1-PVC-WH	
White knob, stopper, and overflow	
900N-PP1-PVC-BS	
Biscuit knob, stopper, and overflow	
900N-PP1-PVC-CP-QTP	
With Plastic QuickTrim® body, thick o-ring	

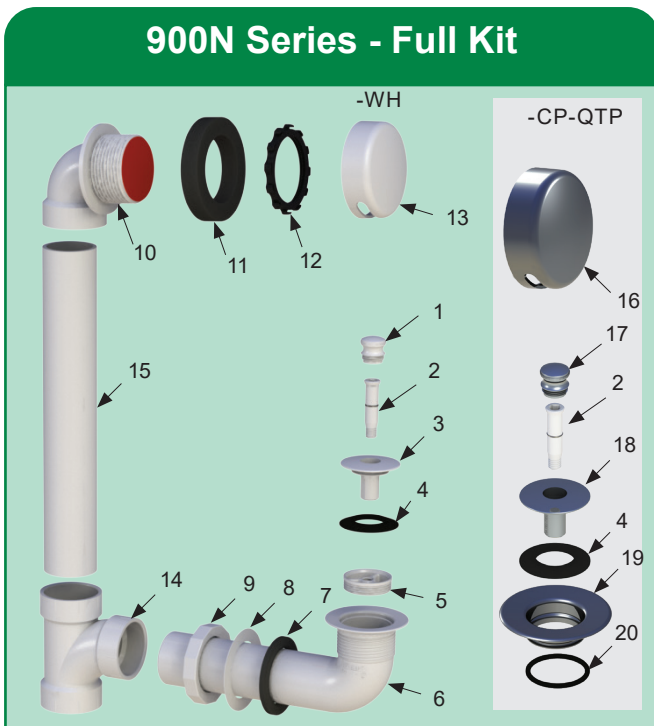
900NRI (Rough-IN) Up to 16" Fittings - BuILT -In Body	
Part Number	
900NRI-PVC	
900NRI-PVC-BS	
900NRI-ABS	

900NSF-SERIES STOPPER/FACE-PLATE PLASTIC PIN	
Part Number	
900NSF-PP1-WH	
White knob, stopper, and overflow	
900NSF-PP1-BS	
Biscuit knob, stopper, and overflow	
900NSF-PP1-CP-QTP	
With Plastic QuickTrim® body, thick o-ring	

Complete Bath Wastes Brass PIN	
Part Number	
900N-PP2-PVC-WH	
White knob, stopper, and overflow	
900N-PP2-PVC-BS	
Biscuit knob, stopper, and overflow	
900N-PP2-PVC-CP-QTP	
With Plastic QuickTrim® body, thick o-ring	

900NRI (Rough-IN) Up to 16" Fittings - BuILT -In Body	
Part Number	
900NRI-PVC	
900NRI-PVC-BS	
900NRI-ABS	

900NSF-SERIES STOPPER/FACE-PLATE BRASS PIN	
Part Number	
900NSF-PP2-WH	
White knob, stopper, and overflow	
900NSF-PP2-BS	
Biscuit knob, stopper, and overflow	
900NSF-PP2-CP-QTP	
With Plastic QuickTrim® body, thick o-ring	



ITEM	PART#	DESCRIPTION
1	11307WH	Plastic PP Knob - White
2	11515	Plastic Pin (11512) & Friction Ring (11504)
3	11290WH	Plastic Stopper - White
4	11507	Stopper Seal 1-1/16 Dia.
5	14013	Innovator® Drain Crossbar, removable
6	14007	Innovator® Drain Elbow-Long (PVC)
	11007	Innovator® Drain Elbow-Long (White ABS)
7	10691	Innovator® Drain Elbow Rubber Seal
8	10671	Innovator® Drain Elbow Slip Washer
9	11480	Innovator® Drain Elbow Retainer Nut
10	14020	Innovator® Overflow Elbow - Sch 40 PVC
	11020	Innovator® Overflow Elbow - Sch 40 ABS
11	10675	Overflow Elbow Gasket - Foam
12	11121	Retainer Star Nut for Innovator®
13	01005WH	Innovator® Faceplate - plastic - White
14	14010	Sanitary Tee - Sch 40 PVC
	14011	Sanitary Tee - Sch 40 ABS
15	SCHPVC-11.75	Schedule 40 PVC Pipe - 1.5" X 11.75"
	SCHABS-11.75	Schedule 40 ABS Pipe - 1.5" X 11.75"
16	01005CP	Innovator® Faceplate - plastic - Chrome Pl.
17	11307CP	UnNuFit Plastic Knob - Chrome Plated
18	11290CP	PP Stopper Plastic Chrome Plated
19	01053CP	QuickTrim® Plastic Strainer Body Cover
20	11138	QuickTrim® O-Ring - thick

Pricing available on www.watcomfg.com



Schedule 40

Patented and Patents Pending
See watcomfg.com for details.

Innovator® Drain Series

Built-In Testing • Snap-On Overflow Plate • Solvent Weld Assembly • Coarse Thread: 11.5 tpi

901N Innovator® Drain

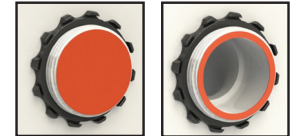
Bath Waste Half Kits

See Web XLXS
for ABS Fittings

PP1 = Plastic Pin
PP2 = Brass Pin



White ABS
Drain Elbow



Overflow Elbow Test Membrane
REMOVE AFTER TESTING



Drain Elbow Test Membrane
REMOVE AFTER TESTING

12 Per Carton

HALF KITS PLASTIC PIN

Part Number

901N-PP1-PVC-WH	
White knob, stopper, and overflow	
901N-PP1-PVC-BS	
Biscuit knob, stopper, and overflow	
901N-PP1-PVC-CP-QTP	
With Plastic QuickTrim® body, thick o-ring	

901NRI (Rough-IN) Fittings - Built -In Body

Part Number

901NRI-PVC	
901NRI-PVC-BS	
901NRI-ABS	

900NSF-SERIES STOPPER/FACEPLATE PLASTIC PIN

Part Number

900NSF-PP1-WH	
White knob, stopper, and overflow	
900NSF-PP1-BS	
Biscuit knob, stopper, and overflow	
900NSF-PP1-CP-QTP	
With Plastic QuickTrim® body, thick o-ring	

HALF KITS BRASS PIN

Part Number

901N-PP2-PVC-WH	
White knob, stopper, and overflow	
901N-PP2-PVC-BS	
Biscuit knob, stopper, and overflow	
901N-PP2-PVC-CP-QTP	
With Plastic QuickTrim® body, thick o-ring	

901NRI (Rough-IN) Fittings - Built -In Body

Part Number

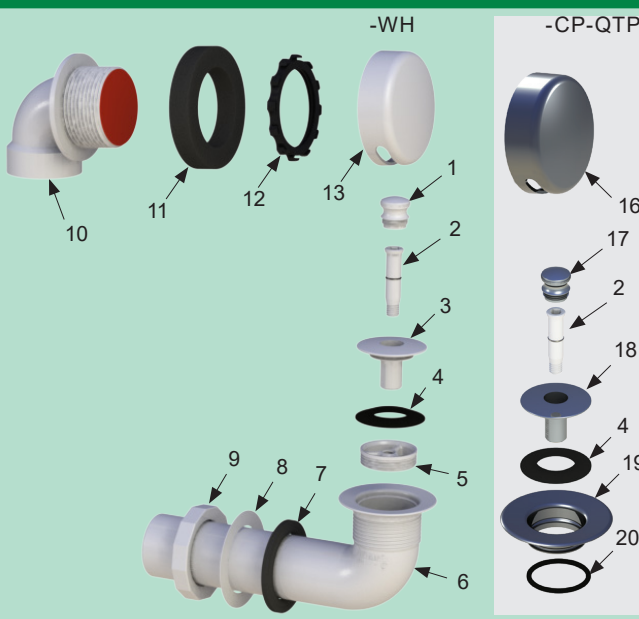
901NRI-PVC	
901NRI-PVC-BS	
901NRI-ABS	

900NSF-SERIES STOPPER/FACEPLATE BRASS PIN

Part Number

900NSF-PP2-WH	
White knob, stopper, and overflow	
900NSF-PP2-BS	
Biscuit knob, stopper, and overflow	
900NSF-PP2-CP-QTP	
With Plastic QuickTrim® body, thick o-ring	

901N Series-Half Kit



ITEM	PART#	DESCRIPTION
1	11307WH	Plastic PP Knob - White
2	11515	Plastic Pin (11512) & Friction Ring (11504)
3	11290WH	Plastic Stopper - White
4	11507	Stopper Seal 1-1/16 Dia.
5	14013	Innovator® Drain Crossbar, removable
6	14007	Innovator® Drain Elbow-Long (PVC)
6	11007	Innovator® Drain Elbow-Long (White ABS)
7	10691	Innovator® Drain Elbow Rubber Seal
8	10671	Innovator® Drain Elbow Slip Washer
9	11480	Innovator® Drain Elbow Retainer Nut
10	14020	Innovator® Overflow Elbow - Sch 40 PVC
10	11020	Innovator® Overflow Elbow - Sch 40 ABS
11	10675	Overflow Elbow Gasket - Foam
12	11121	Retainer Star Nut for Innovator®
13	01005WH	Innovator® Faceplate - plastic - White
16	01005CP	Innovator® Faceplate - plastic - Chrome Pl.
17	11307CP	UnNuFit Plastic Knob - Chrome Plated
18	11290CP	PP Stopper - Plastic - Chrome Plated
19	01050HP	QuickTrim® Plastic Strainer Body Cover
20	11138	QuickTrim® O-Ring - thick

Pricing available on www.watcomfg.com

Innovator® Drain: 901N Half Kits

Schedule 40

Patented and Patents Pending
See watcomfg.com for details.

Innovator® Drain Series

Built-In Testing • Snap-On Overflow Plate • Solvent Weld Assembly • Coarse Thread: 11.5 tpi

Flex916N Innovator® Drain

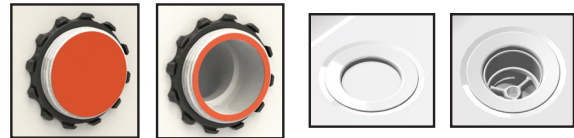
Complete Bath Wastes

PVC only



FLEX916N-PP1

PP1 = Plastic Pin
PP2 = Brass Pin



Overflow Elbow Test Membrane
REMOVE AFTER TESTING

Drain Elbow Test Membrane
REMOVE AFTER TESTING

To order the Flex916N or Flex924N without a Sanitary Tee, add "-NTEE" to part number.
Example:
FLEX916N-PP-PVC-WH-NTEE

Fits most tubs up to 16" deep

12 Per Carton

FLEX916N BATH WASTES - TUBS TO 16" PLASTIC PIN	
Part Number	
FLEX916N-PP1-PVC-WH	
White knob, stopper, and overflow	
FLEX916N-PP1-PVC-BS	
Biscuit knob, stopper, and overflow	
FLEX916N-PP1-PVC-CP-QTP	
With Plastic QuickTrim® body, thick o-ring	

FLEX916NRI ROUGH-IN FITTINGS - TUBING - BUILT-IN BODY	
Part Number	
FLEX916NRI-PVC	
FLEX916NRI-PVC-BS	

900NSF-SERIES STOPPER/FACE-PLATE PLASTIC PIN	
Part Number	
900NSF-PP1-WH	
White knob, stopper, and overflow	
900NSF-PP1-BS	
Biscuit knob, stopper, and overflow	
900NSF-PP1-CP-QTP	
With Plastic QuickTrim® body, thick o-ring	

FLEX916N BATH WASTES - TUBS TO 16" BRASS PIN	
Part Number	
FLEX916N-PP2-PVC-WH	
White knob, stopper, and overflow	
FLEX916N-PP2-PVC-BS	
Biscuit knob, stopper, and overflow	
FLEX916N-PP2-PVC-CP-QTP	
With Plastic QuickTrim® body, thick o-ring	

FLEX916NRI ROUGH-IN FITTINGS - TUBING - BUILT-IN BODY	
Part Number	
FLEX916NRI-PVC	
FLEX916NRI-PVC-BS	

900NSF-SERIES STOPPER/FACE-PLATE BRASS PIN	
Part Number	
900NSF-PP2-WH	
White knob, stopper, and overflow	
900NSF-PP2-BS	
Biscuit knob, stopper, and overflow	
900NSF-PP2-CP-QTP	
With Plastic QuickTrim® body, thick o-ring	

Flex924N Innovator® Drain

Complete Bath Wastes - PVC only

Fits most tubs up to 24" deep

12 PER CARTON

FLEX924N BATH WASTES - TUBS TO 24" PLASTIC PIN	
Part Number	
FLEX924N-PP1-PVC-WH	
White knob, stopper, and overflow	
FLEX924N-PP1-PVC-BS	
Biscuit knob, stopper, and overflow	
FLEX924N-PP1-PVC-CP-QTP	
With Plastic QuickTrim® body, thick o-ring	

FLEX924NRI ROUGH-IN FITTINGS - TUBING - BUILT-IN BODY	
Part Number	
FLEX924NRI-PVC	
FLEX924NRI-PVC-BS	

900NSF-SERIES STOPPER/FACE-PLATE PLASTIC PIN	
Part Number	
900NSF-PP1-WH	
White knob, stopper, and overflow	
900NSF-PP1-BS	
Biscuit knob, stopper, and overflow	
900NSF-PP1-CP-QTP	
With Plastic QuickTrim® body, thick o-ring	

FLEX924N BATH WASTES - TUBS TO 24" BRASS PIN	
Part Number	
FLEX924N-PP2-PVC-WH	
White knob, stopper, and overflow	
FLEX924N-PP2-PVC-BS	
Biscuit knob, stopper, and overflow	
FLEX924N-PP2-PVC-CP-QTP	
With Plastic QuickTrim® body, thick o-ring	

FLEX924NRI ROUGH-IN FITTINGS - TUBING - BUILT-IN BODY	
Part Number	
FLEX924NRI-PVC	
FLEX924NRI-PVC-BS	

900NSF-SERIES STOPPER/FACE-PLATE BRASS PIN	
Part Number	
900NSF-PP2-WH	
White knob, stopper, and overflow	
900NSF-PP2-BS	
Biscuit knob, stopper, and overflow	
900NSF-PP2-CP-QTP	
With Plastic QuickTrim® body, thick o-ring	

Pricing available on www.watcomfg.com



Schedule 40

Patented and Patents Pending
See watcomfg.com for details.

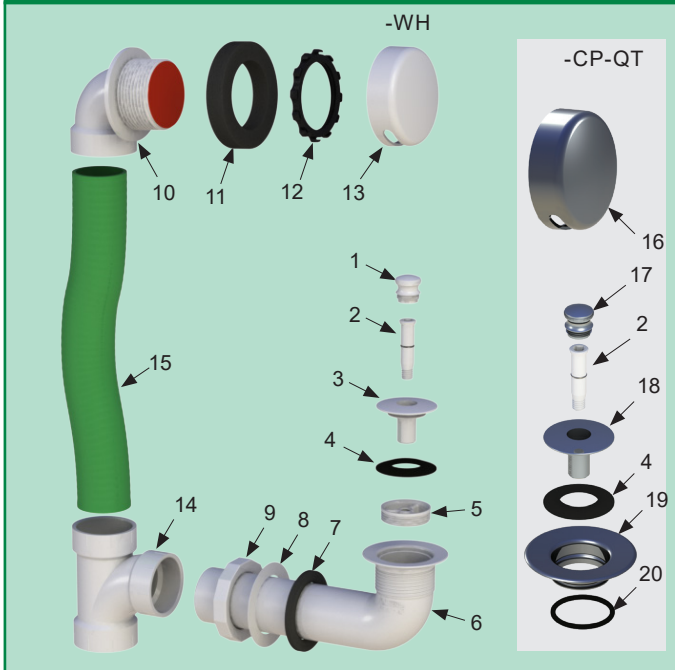
Innovator® Drain Series

Built-In Testing • Snap-On Overflow Plate • Solvent Weld Assembly • Coarse Thread: 11.5 tpi

Innovator® Drain Specs

FLEX916N Series-Full Kit FLEX924N Series-Full Kit

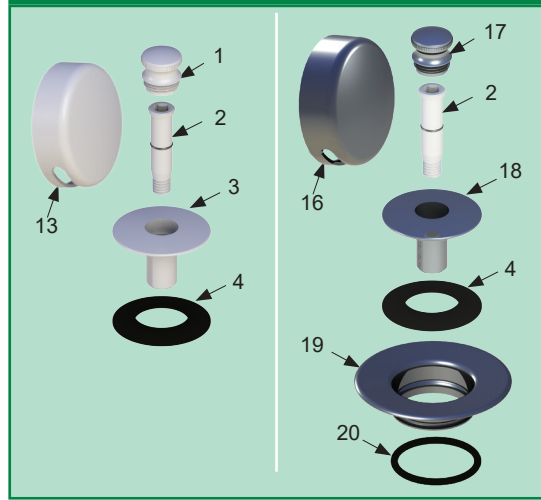
Includes Flexible Pipe



Finish Trim

900NSF-PP1-WH

900NSF-PP1-CP-QT



ITEM	PART#	DESCRIPTION
1	11307WH	Plastic PP Knob - White
2	11515	Plastic Pin (11512) & Friction Ring (11504)
3	11290WH	Plastic Stopper - White
4	11507	Stopper Seal 1-1/16 Dia.
5	14013	Innovator® Drain Crossbar, removable
6	14007	Innovator® Drain Elbow-Long (PVC)
	11007	Innovator® Drain Elbow-Long (White ABS)
7	10691	Innovator® Drain Elbow Rubber Seal
8	10671	Innovator® Drain Elbow Slip Washer
9	11480	Innovator® Drain Elbow Retainer Nut
10	14020	Innovator® Overflow Elbow - Sch 40 PVC
	11020	Innovator® Overflow Elbow - Sch 40 ABS
11	10675	Overflow Elbow Gasket - Foam
12	11121	Retainer Star Nut for Innovator®
13	01005WH	Innovator® Faceplate - plastic - White
14	14010	Sanitary Tee - Sch 40 PVC
	14011	Sanitary Tee - Sch 40 ABS
15	Not Sold Separately	Flex916 Flexible Tubing 1.5" x 16" Flex924 Flexible Tubing 1.5" x 24"
	SCHPVC-11.75	Schedule 40 PVC Pipe - 1.5" X 11.75"
	SCHABS-11.75	Schedule 40 ABS Pipe - 1.5" X 11.75"
16	01005CP	Innovator® Faceplate - plastic - Chrome Pl.
17	11307CP	UnNuFit Plastic Knob - Chrome Plated
18	11290CP	PP Stopper - Chrome Plated
19	01050HP	QuickTrim® Plastic Strainer Body Cover
20	11138	QuickTrim® O-Ring - thick

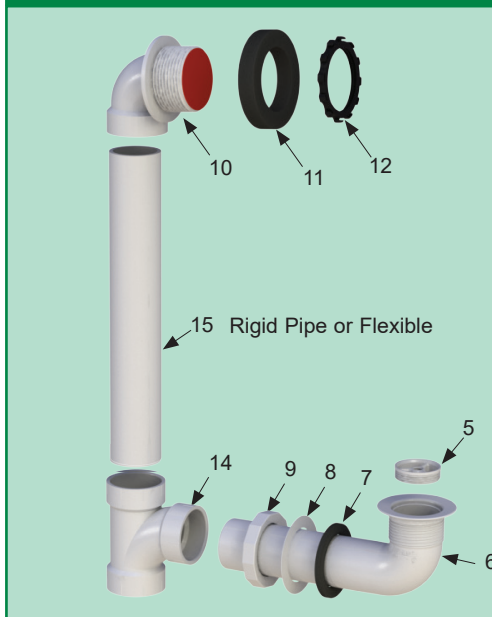
Pricing available on www.watcomfg.com

Innovator® Drain Rough-In Kits

Rough-In-Full Kit

(Does Not Include Finish Trim)

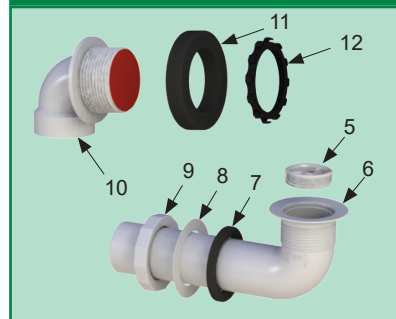
FLEX916NRI-PVC • FLEX924NRI-PVC
900NRI-PVC • 900NRI-ABS



Rough-In-Half Kit

(Does Not Include Finish Trim)

901NRI-PVC • 901NRI-ABS



**Innovator® Drain
Replacement Stoppers
on next page.**

Schedule 40

Patented and Patents Pending
See watcomfg.com for details.


Innovator® Drain Series

Built-In Testing • Snap-On Overflow Plate • Solvent Weld Assembly • Coarse Thread: 11.5 tpi

Innovator® Drain


Replacement Stopper Assemblies

Plastic Knob and Stopper
Plastic or Brass Pins

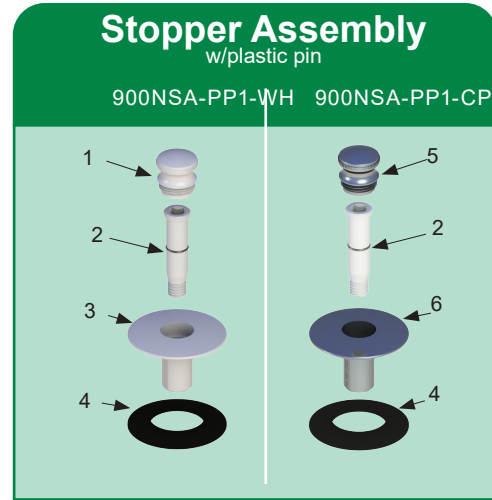


20 Per Carton

REPLACEMENT STOPPERS PLASTIC PIN	
Part Number	
900NSA-PP1-WH	
900NSA-PP1-BS	
900NSA-PP1-CP	



REPLACEMENT STOPPERS BRASS PIN	
Part Number	
900NSA-PP2-WH	
900NSA-PP2-BS	
900NSA-PP2-CP	



ITEM	PART#	DESCRIPTION
1	11307WH	Plastic PP Knob - White
2	11515	Plastic Pin (11512) & Friction Ring (11504)
3	11290WH	Plastic Stopper - White
4	11507	Stopper Seal 1-1/16 Dia.
5	11307CP	UnNuFit Plastic Knob - Chrome Plated
6	11290CP	PP Stopper - Plastic - Chrome Plated

Pricing available on www.watcomfg.com

*Plastic QuickTrim® Kits in
Chrome-CP, White-WH or Biscuit-BS.
For all Watco® Strainers and Innovator® Drains.*

QuickTrim® Kits



*All Plastic Components

PLASTIC QUICKTRIM® KITS	
Part Number	
900TK-PP1-QTP-CP	
900TK-PP1-QTP-WH	
900TK-PP1-QTP-BS	

Comes With Plastic Strainer Body Cover



Schedule 40

Patented and Patents Pending
See watcomfg.com for details.

Perfect Fit 400 Series

Adjustable Flange • Solvent Weld Assembly • Fine Thread 16 tpi • Schedule 40 TechNotes: page 74

400 Perfect Fit

Complete Bath Wastes

Fits most tubs up to 16" deep

ABS or PVC

FINE THREAD - 16 tpi

400-LT

See Web XLXS
for ABS Fittings

12 Per Carton



401 Perfect Fit

Bath Waste Half Kits

ABS or PVC

FINE THREAD - 16 tpi



401-PP

Example Product #: 400 — FA — PVC — CP — ***
Series Number Stopper Material Finish Option

Patented Adjustable Flange

This patented, adjustable feature allows a tight-fitting overflow flange on a wide range of tub angles.

The only tool needed is a HAND It TURNS, not pivots.



12 PER CARTON

400: COMPLETE bath wastes	
Fits most tubs up to 16" deep:	
Part Number	
400-LT-PVC-CP	
400-PP-PVC-CP	
400-PF-PVC-CP	
PF: NOT in BO-BS-WH	
400-FA-PVC-CP	
FA: BB-BN-BZ-CB-CP-NP-PB-WI	

AP
BB
BN
BO

BS
BZ
CB
NP

PB
WH
WI

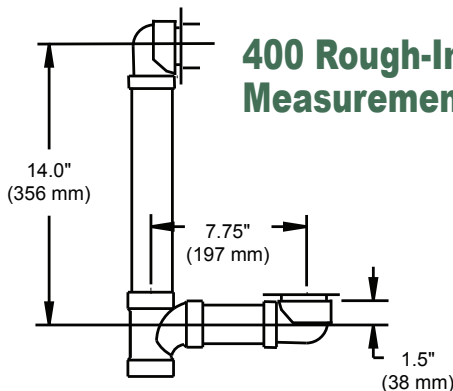
401: COMPLETE bath wastes	
Part Number	
401-LT-PVC-CP	
401-PP-PVC-CP	
401-PF-PVC-CP	
PF: NOT in BO-BS-WH	
401-FA-PVC-CP	
FA: BB-BN-BZ-CB-CP-NP-PB-WI	

AP
BB
BN
BO

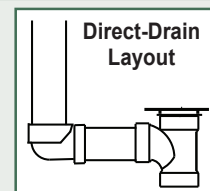
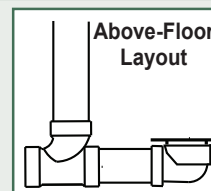
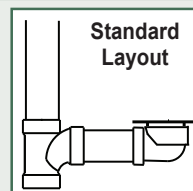
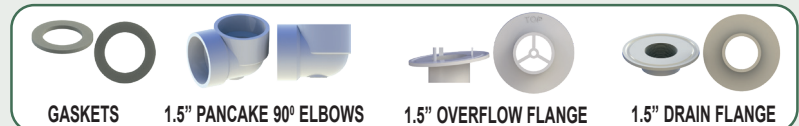
BS
BZ
CB
NP

PB
WH
WI

400 Rough-In Measurements



THE SECRET TO PERFECT FIT'S PERFECT FIT...



400-401

Trim Kits

LT Trim Kit 58080-__
PP Trim Kit: ... 38080-__
PF Trim Kit:.... 38260-__
FA Trim Kit:.... 68080-__

Tub Closures

LT Tub Closure..... 58301-__
PP Tub Closure 38301-__
PF Tub Closure 38380-__
FA Tub Closure..... 68301-__

940-941

Trim Kits

LT Trim Kit 958080-__
PP Trim Kit: ... 938080-__
PF Trim Kit:.... 938260-__
FA Trim Kit:.... 968080-__

Tub Closures

LT Tub Closure..... 58301-__
PP Tub Closure 38301-__
PF Tub Closure 38380-__
FA Tub Closure..... 68301-__

FINE-THREAD TRIM KITS: PG 51; TUB CLOSURES: 55

Pricing available on www.watcomfg.com

Perfect Fit: 400 Bath Wastes - 401 Half

Schedule 40

Patented and Patents Pending
See watcomfg.com for details.

600 Series

Solvent Weld Assembly • PVC or ABS • Coarse Thread 11.5 tpi • 1-Hole Faceplate (2-Hole available)

600

Complete Bath Wastes

Fits most tubs up to 16" deep

ABS or PVC

See Web XLXS for ABS Fittings

12 Per Carton

600-PP



601

Bath Waste Half Kits



600-SF

SF Kits have No strainer body.



601-LT

Add -2H for 2 hole OF

Example Product #: ^u600 — ^vPF — ^wPVC — ^xBN — ^y***
Series Number Stopper Material Finish Option

600: COMPLETE BATH WASTES	
Fits most tubs up to 16" deep:	
Part Number	
600-LT-PVC-CP	
600-PP-PVC-CP	
600-PF-PVC-CP	
PF: NOT IN BO-BS-WH	
600-FA-PVC-CP	
FA: BB-BN-BZ-CB-CP-NP-PB-WH-WI	

- | | | |
|----|----|----|
| AP | BS | PB |
| BB | BZ | WH |
| BN | CB | WI |
| BO | NP | |

601: BATH WASTE HALF KITS	
Part Number	
601-LT-PVC-CP	
601-PP-PVC-CP	
601-PF-PVC-CP	
PF: NOT IN BO-BS-WH	
601-FA-PVC-CP	
FA: BB-BN-BZ-CB-CP-NP-PB-WH-WI	

- | | | |
|----|----|----|
| AP | BS | PB |
| BB | BZ | WH |
| BN | CB | WI |
| BO | NP | |



LIFT AND TURN



PUSH PULL®



PRESFLO®
ADA



FOOT ACTUATED
ADA

600-601 Trim Kits

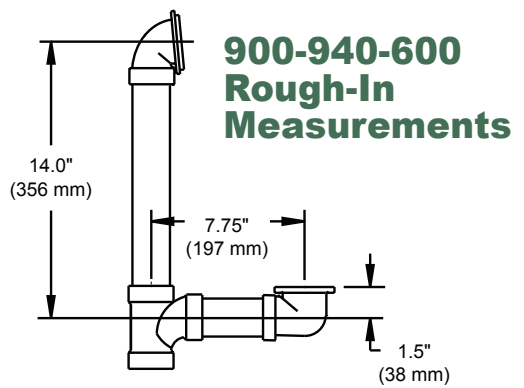
LT Trim Kit..... 58290-
PP Trim Kit: ... 38290-
PF Trim Kit: ... 38250-
FA Trim Kit:..... 68290-
CT TRIM KITS: pg 50

Tub Closures

LT Tub Closure 58305-
PP Tub Closure ... 38305-
PF Tub Closure ... 38360-
FA Tub Closure.... 68305-
TC KITS: pg 54

600-601 TEST KITS

See page 57



Pricing available on www.watcomfg.com



Schedule 40

Patented and Patents Pending
See watcomfg.com for details.

600 Series

Solvent Weld Assembly • PVC or ABS • Coarse Thread: 11.5 tpi • Schedule 40 TechNotes: page 78

SLIP LOCK® Trip Lever

600-SL

ABS or PVC



See Web XLXS
for ABS Fittings

12 Per Carton

Fits most tubs 16" deep:

600-SL-PVC-CP

600-SL



Patented

BN	BZ	PB
BO	CB	WH
BS	NP	WI

Notice: All Trip-Lever- Type Drains

Make sure
brass linkage
is not kinked.

CORRECT



INCORRECT



For trip-lever type trim and linkage kits,
& faceplate kits, see pages 52-53 and 56.

TRIP LEVER

600-TL / 650-TL

ABS or PVC

Fits most tubs 16" deep:

12 Per Carton

600-TL-PVC-CP

600-TL
650-TL



Patented

BN	BZ	PB
BO	CB	WH
BS	NP	WI

Fits most tubs 24" deep:

10 Per Carton

650-TL-PVC-CP



BN	BZ	PB
BO	CB	WH
BS	NP	WI

TURNSTYLE®

600-TS / 650-TS

ABS or PVC

Fits most tubs 16" deep:

12 Per Carton

600-TS-PVC-CP

600-TS
650-TS



NOT



Fits most tubs 24" deep:

10 Per Carton

650-TS-PVC-CP

Patented

BN	BZ	PB
BO	CB	WH
BS	NP	WI

Pricing available on www.watcomfg.com

600 Series: Slip Lock® - Trip Lever - Turnstyle® - 620 / 621 & 651 / 661

620 Bath Wastes Fits most tubs up to 16" deep

621 Half Kits

ABS Stopper and Knob; Brass Strainer Body

620 / 661 BRASS BODY
COMPLETE BATH WASTES

Bath Wastes	620-PP-PVC-CP
Half Kits	621-PP-PVC-CP

See Web XLXS
for ABS Fittings

12 Per Carton

620-PP
661-PP



621-PP
651-PP



661 Bath Wastes Fits most tubs up to 16" deep

651 Half Kits

ABS Stopper and Knob; Zinc Strainer Body

661 / 651 ZINC BODY
BATH WASTE & HALF KIT

Bath Wastes	661-PP-PVC-CP
Half Kits	651-PP-PVC-CP

See Web XLXS
for ABS Fittings

12 Per Carton

Schedule 40

Patented and Patents Pending
See watcomfg.com for details.

600 Series (Cont.)

Solvent Weld Assembly • PVC or ABS • Coarse Thread: 11.5 tpi • Schedule 40 TechNotes: page 74

Example Product #: ^u610 — ^vLT — ^wPVC — ^xAB — ^y***
Series Number Stopper Material Finish Option

See Web XLXS for ABS Fittings 12 Per Carton

600-Series Quarter Kits with Adapters

610 HUB ADAPTER



610 QUARTER KITS WITH HUB ADAPTER - ABS & PVC	
Part Number	
610-LT-PVC-CP	
610-PP-PVC-CP	
610-PF-PVC-CP	
PF: NOT in BO-BS-WH	
610-FA-PVC-CP	
FA: BB-BN-BZ-CB-CP-NP-PB-WI	

- | | |
|----|----|
| AP | CB |
| BB | NP |
| BN | PB |
| BO | WH |
| BS | WI |
| BZ | |

612 SPIGOT - PVC



612 QUARTER KITS WITH SPIGOT ADAPTOR - PVC ONLY	
Part Number	
612-LT-PVC-CP	
612-PP-PVC-CP	
612-PF-PVC-CP	
PF: NOT in BO-BS-WH	
612-FA-PVC-CP	
FA: BB-BN-BZ-CB-CP-NP-PB-WI	

- | | |
|----|----|
| AP | CB |
| BB | NP |
| BN | PB |
| BO | WH |
| BS | WI |
| BZ | |

614 DRAIN ELBOW



614 QUARTER KITS WITH DRAIN ELBOW - ABS & PVC	
Part Number	
614-LT-PVC-CP	
614-PP-PVC-CP	
614-PF-PVC-CP	
PF: NOT in BO-BS-WH	
614-FA-PVC-CP	
FA: BB-BN-BZ-CB-CP-NP-PB-WI	

- | | |
|----|----|
| AP | CB |
| BB | NP |
| BN | PB |
| BO | WH |
| BS | WI |
| BZ | |

600-Series Half Kits with Adapters

Add -2H for 2 hole OF See Web XLXS for ABS Fittings 12 Per Carton

615 HUB ADAPTER



615 HALF KITS WITH HUB ADAPTER - ABS & PVC	
Part Number	
615-LT-PVC-CP	
615-PP-PVC-CP	
615-PF-PVC-CP	
PF: NOT in BO-BS-WH	
615-FA-PVC-CP	
FA: BB-BN-BZ-CB-CP-NP-PB-WI	

- | | |
|----|----|
| AP | CB |
| BB | NP |
| BN | PB |
| BO | WH |
| BS | WI |
| BZ | |

616 SPIGOT - PVC ONLY



616 HALF KITS WITH SPIGOT ADAPTOR - PVC ONLY	
Part Number	
616-LT-PVC-CP	
616-PP-PVC-CP	
616-PF-PVC-CP	
PF: NOT in BO-BS-WH	
616-FA-PVC-CP	
FA: BB-BN-BZ-CB-CP-NP-PB-WI	

- | | |
|----|----|
| AP | CB |
| BB | NP |
| BN | PB |
| BO | WH |
| BS | WI |
| BZ | |

617 DIRECT DRAIN TEE



617 HALF KITS WITH DIRECT DRAIN TEE - ABS & PVC	
Part Number	
617-LT-PVC-CP	
617-PP-PVC-CP	
617-PF-PVC-CP	
PF: NOT in BO-BS-WH	
617-FA-PVC-CP	
FA: BB-BN-BZ-CB-CP-NP-PB-WI	

- | | |
|----|----|
| AP | CB |
| BB | NP |
| BN | PB |
| BO | WH |
| BS | WI |
| BZ | |

Pricing available on www.watcomfg.com



Tubular Plastic

Patented and Patents Pending
See watcomfg.com for details.

500 Series

Slip-Joint Assembly • 11.5 tpi • Tubular Plastic TechNotes: page 75



500

See Web XLXS
for ABS Fittings
12 Per Carton

Complete Bath Wastes
ABS or PVC

Fits most tubs up to 16" deep:

500-LT-PVC-CP
500-PP-PVC-CP
500-PF-PVC-CP
PF: NOT IN AB-BO-BS-WH
500-FA-PVC-CP
FA: BB-BN-BZ-CB-CP-NP-PB-WI

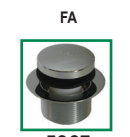


PUSH PULL®



PRESFLO®

AP	BS	PB
BB	BZ	WH
BN	CB	WI
BO	NP	



FOOT
ACTUATED
ADA

500-550	
Trim Kits	Tub Closures
LT Trim Kit.....58290-__-2H	LT Tub Closure.....58305-__
PP Trim Kit:.....38290-__-2H	PP Tub Closure.....38305-__
PF Trim Kit:.....38250-__-2H	PF Tub Closure.....38360-__
FA Trim Kit:.....68290-__-2H	FA Tub Closure.....68305-__

TRIM KITS: Pgs. 54 – TUB CLOSURES: Pgs. 58



500-PP

550

See Web XLXS
for ABS Fittings
10 Per Carton

Complete Bath Wastes
ABS or PVC

Fits most tubs up to 24" deep:

550-LT-PVC-CP
550-PP-PVC-CP
550-PF-PVC-CP
PF: NOT IN AB-BO-BS-WH
550-FA-PVC-CP
FA: BB-BN-BZ-CB-CP-NP-PB-WI

AP	BS	PB
BB	BZ	WH
BN	CB	WI
BO	NP	

Pricing available on www.watcomfg.com

500 Series: 500 / 550 Bath Wastes - 500 Slip Lock® Trip Lever

SLIP LOCK® Trip Lever

500-SL

See Web XLXS
for ABS Fittings
12 Per Carton

Complete Bath Wastes
ABS or PVC

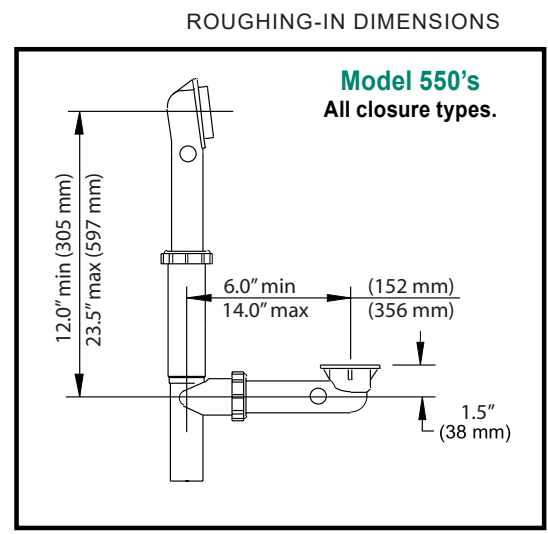
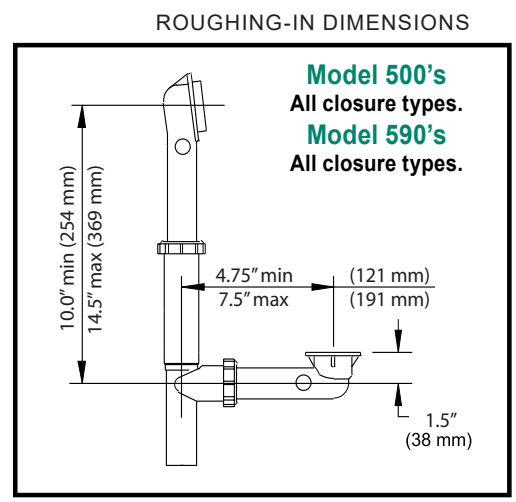
Fits most tubs up to 16" deep:

500-SL-PVC-CP

BN	BZ	PB
BO	CB	WH
BS	NP	WI



ADA



Notice:
All Trip-Lever-Type Drains

Make sure brass linkage is not kinked.

CORRECT
INCORRECT

Trim Kits for SLIP LOCK®
on pages 52-53
Faceplate Kits:
See page 56

Tubular Plastic

Patented and Patents Pending
See watcomfg.com for details.

500 Series

Slip-Joint Assembly • PVC or ABS • Coarse Thread: 11.5 tpi • Tubular Plastic TechNotes: page 78

Complete Bath Wastes QUICK ADJUST® Trip Lever ABS or PVC



ADA

500-TQ

See Web XLXS
for ABS Fittings
12 Per Carton

Fits most tubs up to 16" deep:

500-TQ-PVC-CP

BN	BZ	PB
BO	CB	WH
BS	NP	WI

550-TQ

See Web XLXS
for ABS Fittings
10 Per Carton

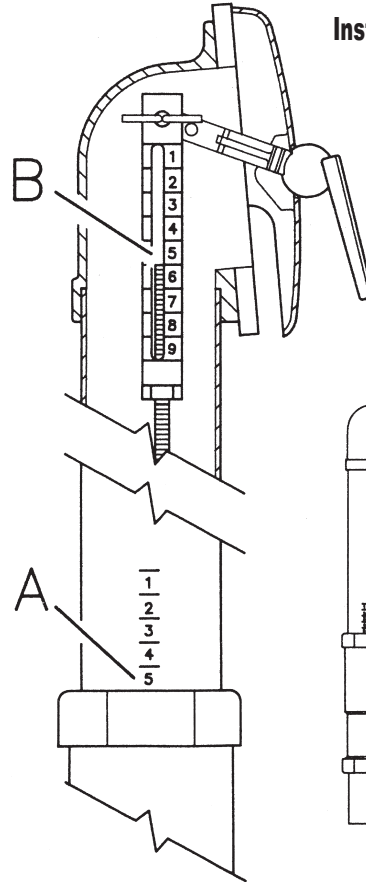
Fits most tubs up to 24" deep:

550-TQ-PVC-CP

BN	BZ	PB
BO	CB	WH
BS	NP	WI

Installation:

- A** Establish rough-in length at overflow elbow scale.
- B** Adjust threaded-rod end on the linkage clevis until the number matches the number on the overflow elbow scale.



NOTE:

Typical installation for:
Model 500-TQ (ABS or PVC)

Trim Kits for SLIP LOCK®, Trip Lever, and TURNSTYLE® : See pages 52-53 – Faceplate Kits: See page 56.

Pricing available on www.watcomfg.com

Complete Bath Wastes TURNSTYLE® ABS or PVC

500-TS

See Web XLXS
for ABS Fittings
12 Per Carton

Fits most tubs up to 16" deep:

500-TS-PVC-CP

BN	BZ	PB
BO	CB	WH
BS	NP	WI



NOT

ADA

550-TS

See Web XLXS
for ABS Fittings
10 Per Carton

Fits most tubs up to 24" deep:

550-TS-PVC-CP

BN	BZ	PB
BO	CB	WH
BS	NP	WI

*



Tubular Plastic

Patented and Patents Pending
See watcomfg.com for details.

500 Series

Slip-Joint Assembly • PVC or ABS • Coarse Thread: 11.5 tpi • Tubular Plastic TechNotes: page 75

510

Quarter Kit with Coarse-Thread Drain Elbow



510-LT



See Web XLXS for ABS

12 Per Carton

510-LT-PVC-CP
510-PP-PVC-CP
510-PF-PVC-CP
PF: NOT IN AB-BO-BS-WH
510-FA-PVC-CP
FA: BB-BN-BZ-CB-CP-NP-PB-WI

AP	CB
BB	NP
BN	PB
BO	WH
BS	WI
BZ	

515

Polypropylene 2-Hole Direct Drain

Fits most tubs up to 16" deep



515-LT

See Web XLXS for ABS

12 Per Carton

515-LT-CP
515-PP-CP
515-PF-CP
PF NOT IN AB-BO-BS-WH
515-FA-CP
FA: BB-BN-BZ-CB-CP-NP-PB-WI

AP	CB
BB	NP
BN	PB
BO	WH
BS	WI
BZ	

595

Innovator® Tubular PVC & Polypropylene Direct Drain

Overflow Elbow: Tubular Plastic PVC Elbow & Drain Tee: Polypropylene



595-PP

12 Per Carton

595-LT-PVC-CP
595-PP-PVC-CP
595-PF-PVC-CP
PF: NOT IN BO-BS-WH
595-FA-PVC-CP
FA: BB-BN-BZ-CB-CP-NP-PB-WI

AP	CB
BB	NP
BN	PB
BO	WH
BS	WI
BZ	

Pricing available on www.watcomfg.com

590

Innovator® Complete Bath Wastes

ABS or PVC

*PP1 = Plastic Pin

See Web XLXS for ABS Fittings
12 Per Carton



#11114 TEST CAP & #11577 TEST PLUG included with all 590 & 594 Bath Wastes.

590-594	
Trim Kits	Tub Closures
LT Trim Kit..... 958290-___	LT Tub Closure.... 58305-___
PP Trim Kit: ... 938290-___	PP Tub Closure... 38305-___
PF Trim Kit: ... 938250-___	PF Tub Closure... 38360-___
FA Trim Kit:.... 968290-___	FA Tub Closure.... 68305-___

TRIM KITS: Pgs. 50 – TUB CLOSURES: Pgs. 54

To order the 590-594 without the Test Cap and Plug, add "-LTK" to end of part number..

590-LT-PVC-CP
590-PP-PVC-CP
590-PF-PVC-CP
PF: NOT IN BO-BS-WH
590-FA-PVC-CP
FA: BB-BN-BZ-CB-CP-NP-PB-WI

=

590-LTRI-PVC-CP
590-PFRI-PVC-CP
PF: NOT IN BO-BS-WH
590-FARI-PVC-CP
FA: BB-BN-BZ-CB-CP-NP-PB-WI

+

900-LTSF-0-CP
900-PFSF-0-CP
PF: NOT IN BO-BS-WH
900-FASF-0-CP
FA: BB-BN-BZ-CB-CP-NP-PB-WI

AP	BS	PB
BB	BZ	WH
BN	CB	WI
BO	NP	

AP	BS	PB
BB	BZ	WH
BN	CB	WI
BO	NP	

AP	BS	PB
BB	BZ	WH
BN	CB	WI
BO	NP	

594

Same as the 590 but for most tubs up to 24" deep.

ABS or PVC

594-LT-PVC-CP
594-PP-PVC-CP
594-PF-PVC-CP
PF: NOT in BO-BS-WH
594-FA-PVC-CP
FA: BB-BN-BZ-CB-CP-NP-PB-WI

OTHER FINISHES AVAILABLE:

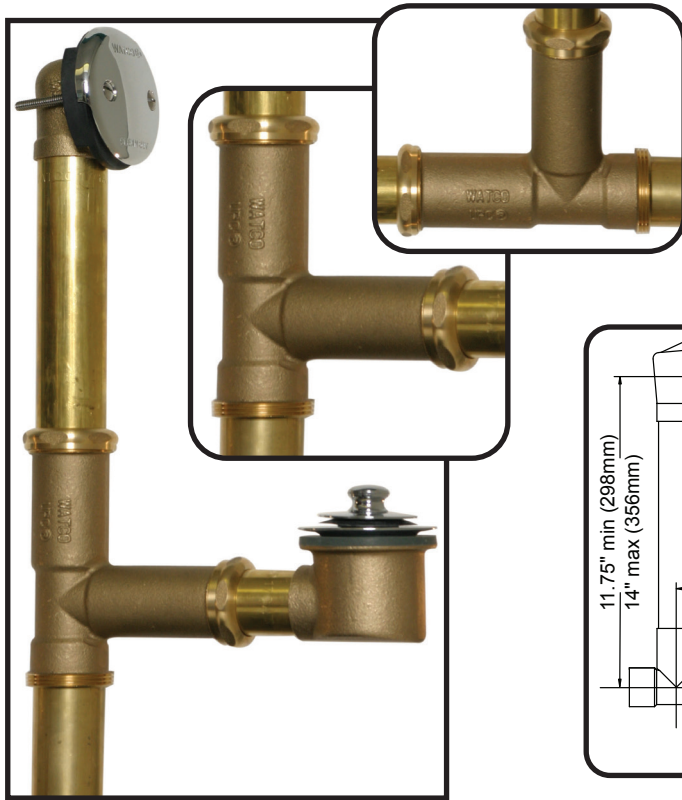
AP	BS	PB
BB	BZ	WH
BN	CB	WI
BO	NP	

10 Per Carton

Options for Tubular Brass

Patented and Patents Pending
See watcomfg.com for details.

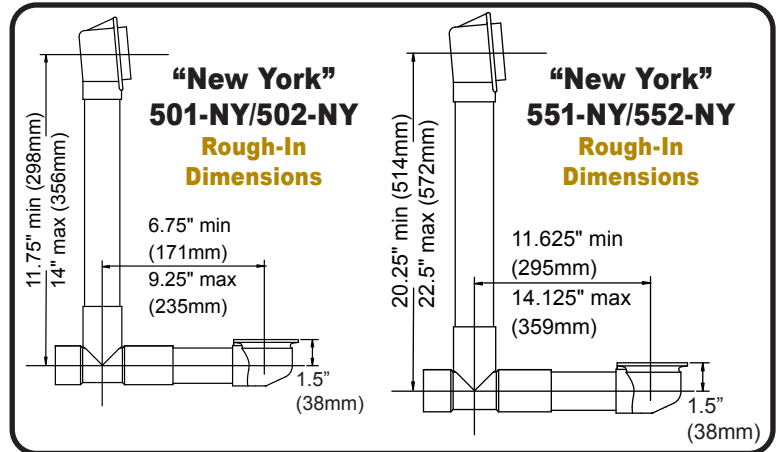
1.5" Pipe • Coarse Thread: 11.5 tpi • 17-Gauge Pipe and 20-Gauge Pipe available



New York Tee (-NY)

Use Watco's New York Tee as a through-the-floor installation without sacrificing adjustability.

For New York Tee, add "-NY" to product number.

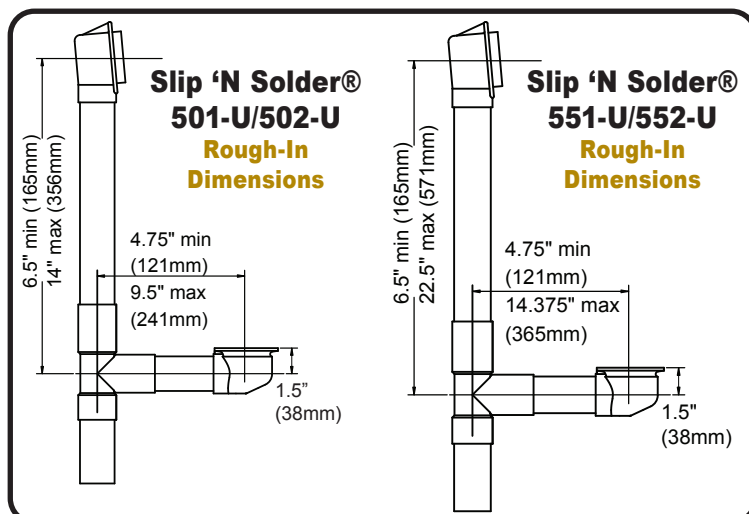
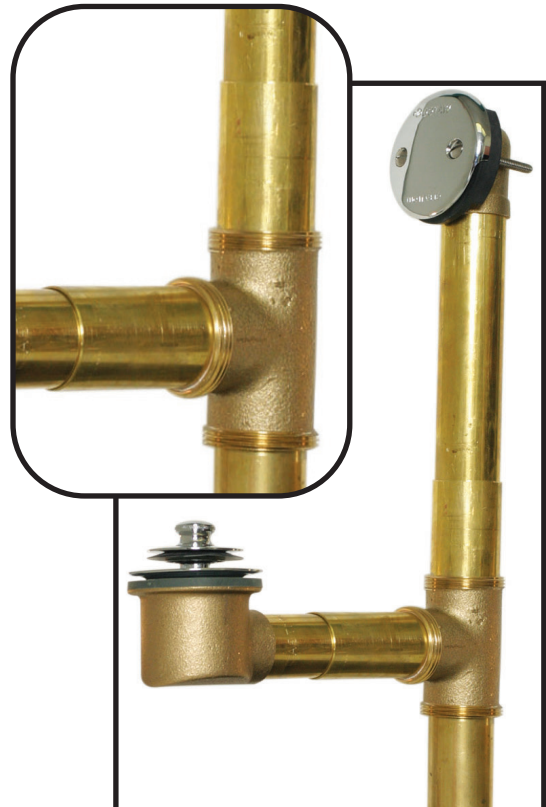


NOTE: These two options cannot be used together on the same bath waste.

Slip 'N Solder® (-U)

- solder two tubes (like copper fittings).
- eliminate an access panel.
- eliminate need for exact lengths.

For Slip "N Solder" unit, add "-U" to product number.



Pricing available on www.watcomfg.com

More on Tubular Brass

For Brass TechNotes and extensions, see page 79.

Patented and Patents Pending
See watcomfg.com for details.

Pricing available on www.watcomfg.com

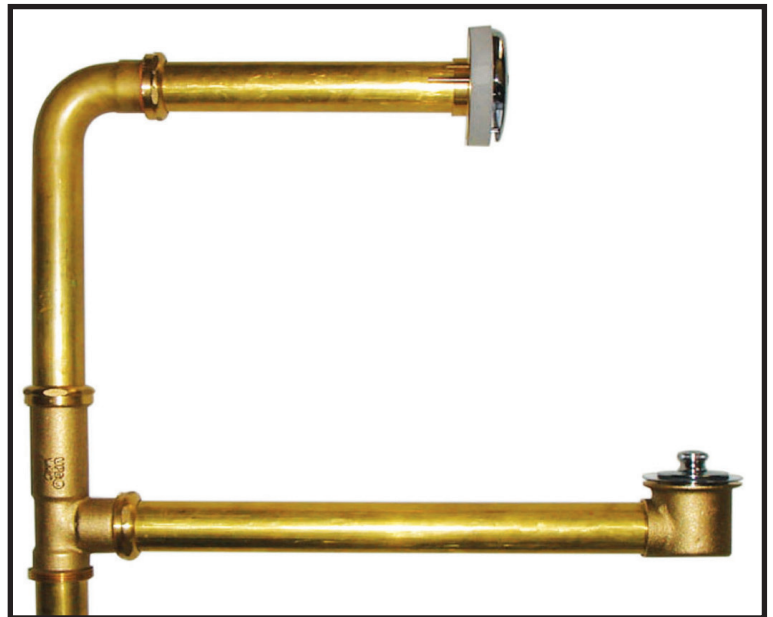


Brass Cable

See Page 36.

Brass Condensate Overflow Elbow

See TechNotes
on page 75.



Through-Wall Chicago Code

See Page 36.

Trim Kits & Tub Closures for our brass drains...

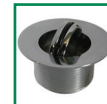
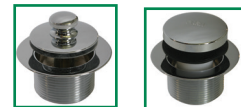
QuickTrim® Kits



Innovator®
QuickTrim® Kits
Page 48



Innovator® Trim Kits
Page 50



Coarse-Thread
Tub Closures
Page 54



Replacement
Stoppers
Page 54

Tubular Brass

Patented and Patents Pending
See watcomfg.com for details.

501/551 Series

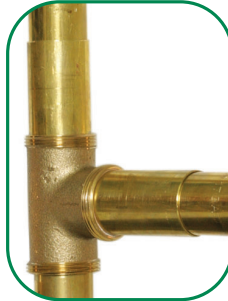
17-Gauge Pipe • Coarse Thread: 11.5 tpi • For Brass TechNotes and extensions: page 75



501-PP

Brass Assembly Additional Options

No additional charge.



Slip 'N Solder®
To order, add "U" to item number.

OR



Multiple options with only one tee.

New York Tee

To order, add "NY" to item number.

Example Product #: **501** — **PF** — **BRS** — **BZ** — *******
Series Number Stopper Material Finish Option

501 17-Gauge

501s:
12 Per Carton

Fits Most Tubs up to 16" Deep

501-LT-BRS-CP
501-PP-BRS-CP
501-PF-BRS-CP
PF: NOT IN AB-BO-BS-WH
501-FA-BRS-CP
FA: BB-BN-BZ-CB-CP-NP-PB-W

AP	BS	PB
BB	BZ	WH
BN	CB	WI
BO	NP	

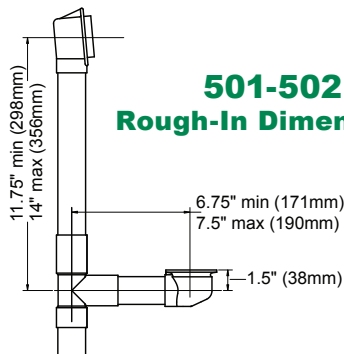
551 17-Gauge

551s:
10 Per Carton

Fits Most Tubs up to 24" Deep

551-LT-BRS-CP
551-PP-BRS-CP
551-PF-BRS-CP
PF: NOT IN AB-BO-BS-WH
551-FA-BRS-CP
FA: BB-BN-BZ-CB-CP-NP-PB-WI

AP	BS	PB
BB	BZ	WH
BN	CB	WI
BO	NP	



501-551-502-552	
Trim Kits	Tub Closures
LT Trim Kit58290-__-2H	LT Tub Closure 58305-__
PP Trim Kit38290-__-2H	PP Tub Closure 38305-__
PF Trim Kit38250-__-2H	PF Tub Closure 38360-__
FA Trim Kit68290-__-2H	FA Tub Closure.... 68305-__

TRIM KITS: Pg. 50 TUB CLOSURES: Pg. 54

Pricing available on www.watcomfg.com



Tubular Brass

Patented and Patents Pending
See watcomfg.com for details.

502/552 Series

20-Gauge Brass Pipe • Coarse Thread: 11.5 tpi • For Brass TechNotes and extensions: page 75

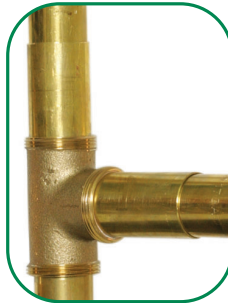
20-Gauge Brass: 502 / 552 Series



502-PP

Brass Assembly Additional Options

No additional charge.



Slip 'N Solder®
To order, add "U" to item number.



Multiple options with only one tee.

New York Tee

To order, add "NY" to item number.

OR

Example Product #: **501** — **PF** — **BRS** — **BZ** — *******
Series Number Stopper Material Finish Option

502 20-Gauge

502s:
12 Per Carton

Fits Most Tubs up to 16" Deep

502-LT-BRS-CP
502-PP-BRS-CP
502-PF-BRS-CP
PF: NOT IN AB-BO-BS-WH
502-FA-BRS-CP
FA: BB-BN-BZ-CB-CP-NP-PB-W

AP	BS	PB
BB	BZ	WH
BN	CB	WI
BO	NP	

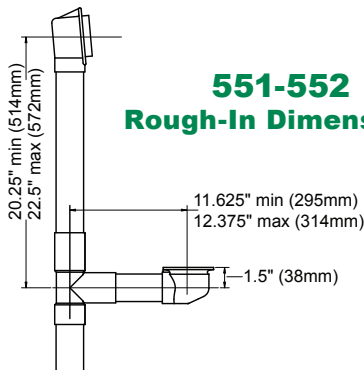
552 20-Gauge

552s:
10 Per Carton

Fits Most Tubs up to 24" Deep

552-LT-BRS-CP
552-PP-BRS-CP
552-PF-BRS-CP
PF: NOT IN AB-BO-BS-WH
552-FA-BRS-CP
FA: BB-BN-BZ-CB-CP-NP-PB-WI

AP	BS	PB
BB	BZ	WH
BN	CB	WI
BO	NP	



551-552 Rough-In Dimensions

QuickTrim® Kits
Page 48

Coarse-Thread Tub Closures
Page 54

Replacement Stoppers
Page 54

Pricing available on www.watcomfg.com

Tubular Brass

Patented and Patents Pending
See watcomfg.com for details.

Trip Lever Models

17-G & 20-G Brass Pipe • Coarse Thread: 11.5 tpi • For Brass TechNotes and extensions: page 75

u
v
w
x
y
 Example Product #: **552** — **TQ** — **BRS** — **BO** — *******
Series Number Stopper Material Finish Option

QUICK ADJUST® ADA

501-TQ 17-Gauge

Fits Most Tubs up to 16" Deep

501-TQ-BRS-CP

BN	CB	WH
BO	NP	WI
BS	PB	
BZ		

501s/502s:
12 Per Carton



QUICK ADJUST® ADA

551-TQ 17-Gauge

Fits Most Tubs up to 24" Deep

551-TQ-BRS-CP

BN	CB	WH
BO	NP	WI
BS	PB	
BZ		

551s/552s:
10 Per Carton



502-TQ 20-Gauge

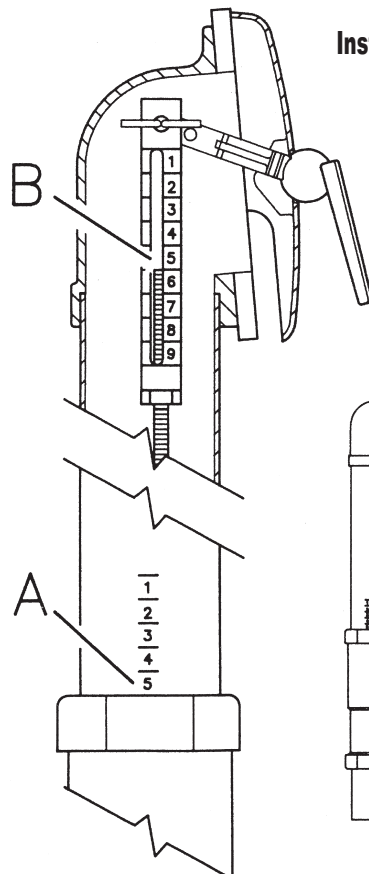
Fits Most Tubs up to 16" Deep

502-TQ-BRS-CP

BN	CB	WH
BO	NP	WI
BS	PB	
BZ		

552-TQ-BRS-CP

BN	CB	WH
BO	NP	WI
BS	PB	
BZ		



Installation:

- A** Establish rough-in length at overflow elbow scale.
- B** Adjust threaded-rod end on the linkage clevis until the number matches the number on the overflow elbow scale.

NOTE:

Typical installation for:
 Model 500-TQ (ABS or PVC)
 Model 501-TQ (17ga Brass)
 Model 502-TQ (20ga Brass)

Trim Kits for SLIP LOCK®, Trip Lever, and TURNSTYLE® : See pages 52-53 – Faceplate Kits: See page 56.

Trip Lever Bath Wastes require through-the-floor installation.

Pricing available on www.watcomfg.com



Tubular Brass

Patented and Patents Pending
See watcomfg.com for details.

TURNSTYLE® - Direct Drain

17-G & 20-G Brass Pipe • Coarse Thread: 11.5 tpi • For Brass TechNotes and extensions: page 75

Example Product #: **552** — **TS** — **BRS** — **BO** — *******
Series Number Stopper Material Finish Option

TURNSTYLE®

NOT
ADA

501-TS 17-Gauge

Fits Most Tubs up to 16" Deep

501-TS-BRS-CP

BN	BZ	PB
BO	CB	WH
BS	NP	WI

501s/502s:
12 Per Carton

502-TS 20-Gauge

Fits Most Tubs up to 16" Deep

502-TS-BRS-CP

BN	BZ	PB
BO	CB	WH
BS	NP	WI

TURNSTYLE®

NOT
ADA

551-TS 17-Gauge

Fits Most Tubs up to 24" Deep

551-TS-BRS-CP

BN	BZ	PB
BO	CB	WH
BS	NP	WI

551s/552s:
10 Per Carton

552-TS 20-Gauge

Fits Most Tubs up to 24" Deep

552-TS-BRS-CP

BN	BZ	PB
BO	CB	WH
BS	NP	WI

NOT
ADA

Trim Kits for SLIP LOCK®, Trip Lever, and TURNSTYLE® : See pages 52-53 – Faceplate Kits: See page 56.

Pricing available on www.watcomfg.com



511 17-Gauge

Tub Closure with
18.125" Extension

12 Per Carton

511-LT-BRS-CP	
511-PP-BRS-CP	
511-PF-BRS-CP	
PF: NOT IN BO-BS-WH	
511-FA-BRS-CP	
FA: BB-BN-BZ-CB-CP-NP-PB-WI	

AP	BS	PB
BB	BZ	WH
BN	CB	WI
BO	NP	



512 17-Gauge

2-Hole
Direct Drain
Fits Most Tubs
up to 16" Deep

12 Per Carton

Slip 'N Solder®
Available Add -U

512-LT-BRS-CP	
512-PP-BRS-CP	
512-PF-BRS-CP	
PF: NOT IN BO-BS-WH	
512-FA-BRS-CP	
FA: BB-BN-BZ-CB-CP-NP-PB-WI	

AP	BS	PB
BB	BZ	WH
BN	CB	WI
BO	NP	

512 Trim Kits same as 501's

TRIM KITS: Pg. 50 – TUB CLOSURES: Pg. 54

593 17-Gauge

Innovator® Direct
Drain Fits Most Tubs
up to 16" Deep

Slip 'N Solder®
Available Add -U



12 Per Carton

#11114 TEST CAP & #11575 TEST PLUG
included in all 593 Bath Wastes.

593-LT-BRS-CP	
593-PP-BRS-CP	
593-PF-BRS-CP	
PF: NOT IN BO-BS-WH	
593-FA-BRS-CP	
FA: BB-BN-BZ-CB-CP-NP-PB-WI	

AP	BS	PB
BB	BZ	WH
BN	CB	WI
BO	NP	

593 Trim Kits same as 591's

TRIM KITS: Pg. 50 – TUB CLOSURES: Pg. 54

17- & 20-Gauge: 501 / 551 - 502 / 552 Turnstyle® - Direct Drains - 511

Tubular Brass

Patented and Patents Pending
See watcomfg.com for details.

17g Brass Innovator®

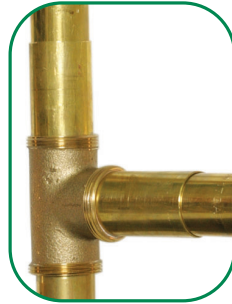
17-Gauge Brass Pipe • Coarse Thread: 11.5 tpi • For Brass TechNotes and extensions: page 75



591-PP

Brass Assembly Additional Options

No additional charge.



Slip 'N Solder®

To order, add "U" to item number.

OR



Multiple options with only one tee.

New York Tee

To order, add "NY" to item number.

Example Product #: 591 — PP — BRS — BN — ***
Series Number Stopper Material Finish Option

591 17-Gauge

591s:
12 Per Carton

Fits Most Tubs up to 16" Deep

591-LT-BRS-CP
591-PP-BRS-CP
591-PF-BRS-CP
PF: NOT IN BO-BS-WH
591-FA-BRS-CP
FA: BB-BN-BZ-CB-CP-NP-PB-WI

AP	BS	PB
BB	BZ	WH
BN	CB	WI
BO	NP	

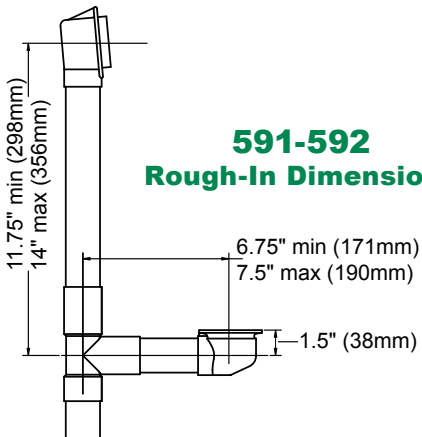
598 17-Gauge

598s:
12 Per Carton

Fits Most Tubs up to 24" Deep

598-LT-BRS-CP
598-PP-BRS-CP
598-PF-BRS-CP
PF: NOT IN BO-BS-WH
598-FA-BRS-CP
FA: BB-BN-BZ-CB-CP-NP-PB-WI

AP	BS	PB
BB	BZ	WH
BN	CB	WI
BO	NP	



591-592-598-599

Trim Kits	Tub Closures
LT Trim Kit..... 958290-__	LT Tub Closure 58305-__
PP Trim Kit: ... 938290-__	PP Tub Closure ... 38305-__
PF Trim Kit: ... 938250-__	PF Tub Closure ... 38360-__
FA Trim Kit:.... 968290-__	FA Tub Closure.... 68305-__

TRIM KITS: Pg. 50 – TUB CLOSURES: Pg. 54

#1114 TEST CAP & #11577 TEST PLUG
included with all 591 & 598 Bath Wastes.



To order without the Test Cap and Plug, add "-LTK" to end of part number.



Tubular Brass

Patented and Patents Pending
See watcomfg.com for details.

20g Brass Innovator®

20-Gauge Brass Pipe • Coarse Thread: 11.5 tpi • For Brass TechNotes and extensions: page 75

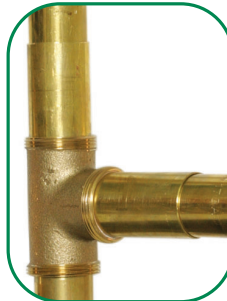
20-Gauge Innovator®: 592 / 599

Brass Assembly Additional Options

No additional charge.



592-PP



Slip 'N Solder®

To order, add "U" to item number.



Multiple options with only one tee.

New York Tee

To order, add "NY" to item number.

Example Product #: **592** — ^u**LTR** — ^v**BRS** — ^w**CP** — ^x******* — ^y*******
Series Number Stopper Material Finish Option

592 20-Gauge

592s:
12 Per Carton

Fits Most Tubs up to 16" Deep

592-LT-BRS-CP
592-PP-BRS-CP
592-PF-BRS-CP
PF: NOT IN BO-BS-WH
592-FA-BRS-CP
FA: BB-BN-BZ-CB-CP-NP-PB-WI

AP	BS	PB
BB	BZ	WH
BN	CB	WI
BO	NP	

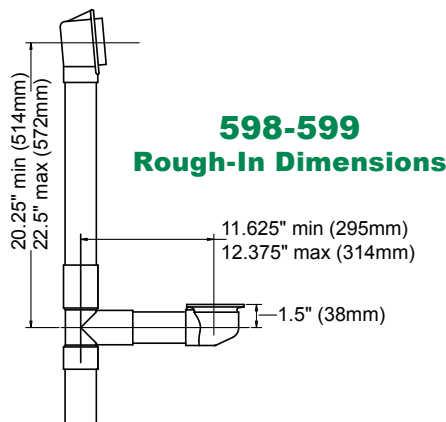
599 20-Gauge

599s:
12 Per Carton

Fits Most Tubs up to 24" Deep

599-LT-BRS-CP
599-PP-BRS-CP
599-PF-BRS-CP
PF: NOT IN BO-BS-WH
599-FA-BRS-CP
FA: BB-BN-BZ-CB-CP-NP-PB-WI

AP	BS	PB
BB	BZ	WH
BN	CB	WI
BO	NP	



Innovator® QuickTrim® Kits
Page 48



Coarse-Thread Tub Closures
Page 54



Replacement Stoppers
Page 54



#11114 TEST CAP & #11577 TEST PLUG
included with all 592 & 599 Bath Wastes.



Pricing available on www.watcomfg.com

Tubular Brass

Patented and Patents Pending
See watcomfg.com for details.

Cable (Non-Testable)

20-Gauge Brass Pipe • Coarse Thread: 11.5 tpi • For Brass TechNotes and extensions, see page 75.

528 Cable 20-Gauge

Fits Most Tubs up to 16" Deep

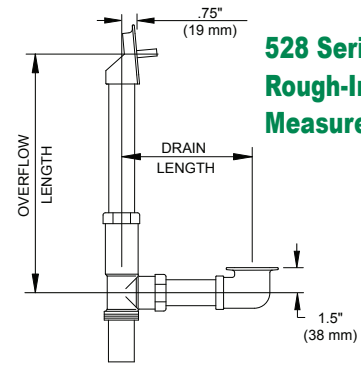
528-CA-BRS-CP

BB 335.00	BZ	PB
BN	CB	WH
BO	NP	WI
BS		

528s:
12 Per Carton



538-CA-BRS-BZ



528 Series
Rough-In
Measurements

Add -17G for 17-gauge.

528-CA Overflow length plus drain length cannot exceed 28 inches.
Overflow Length = 20 inches
Drain Length = 8 inches

538-CA Overflow length plus drain length cannot exceed 38 inches.
Overflow Length = 28 inches
Drain Length = 10 inches

538 Cable 20-Gauge

Fits Most Tubs up to 24" Deep

538-CA-BRS-CP

BB 351.60	BZ	PB
BN	CB	WH
BO	NP	WI
BS		

538s:
10 Per Carton

For Slip "N Solder" unit, add suffix "U" to product number.

Add -17G for 17-gauge.

Cable Trim Kits: Page 49

Chicago-Code

1.5" 17-Gauge Brass Pipe • Coarse Thread: 11.5

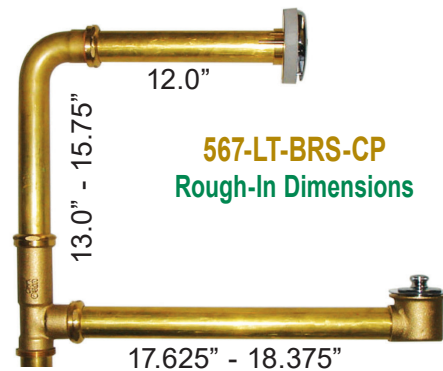
567 Chicago-Code 17-Gauge

Fits Most Tubs up to 16" Deep

Call for Finish s -BN -BZ -NP -PB

- 567-LT-BRS-CP
- 567-PP-BRS-CP
- 567-PF-BRS-CP
- 567-FA-BRS-CP

567s:
12 Per Carton



567-LT-BRS-CP
Rough-In Dimensions

For Slip "N Solder" unit, add suffix "U" to product number.



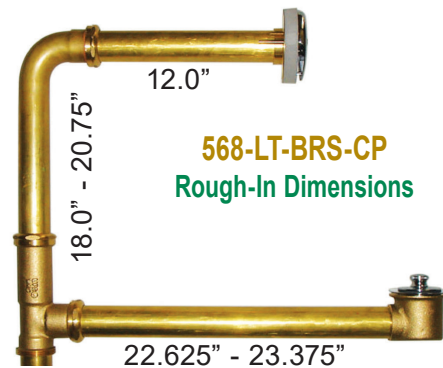
568 Chicago-Code 17-Gauge

Fits Most Tubs up to 24" Deep

Call for Finish s -BN -BZ -NP -PB

- 568-LT-BRS-CP
- 568-PP-BRS-CP
- 568-PF-BRS-CP
- 568-FA-BRS-CP

568s:
10 Per Carton



568-LT-BRS-CP
Rough-In Dimensions



Trim Kits: Pages 50 / Tub Closures: Pages 54

Pricing available on www.watcomfg.com



Lavatory Drains

1.25" 17-Gauge Brass Pipe • Fine Thread: 18 tpi

Patented and Patents Pending
See watcomfg.com for details.

20 Per Carton

Lavatory Drains: 800 / 801 / 700



800 With Overflow

800-PP-BRS-CP
800-PF-BRS-CP

AP	CB
BB	NP
BN	PB
BZ	WI

Push Pull® and PresFlo®
stoppers are available in both
the 800 and 801 models.

800-PP



801 Without Overflow

801-PP-BRS-CP
801-PF-BRS-CP

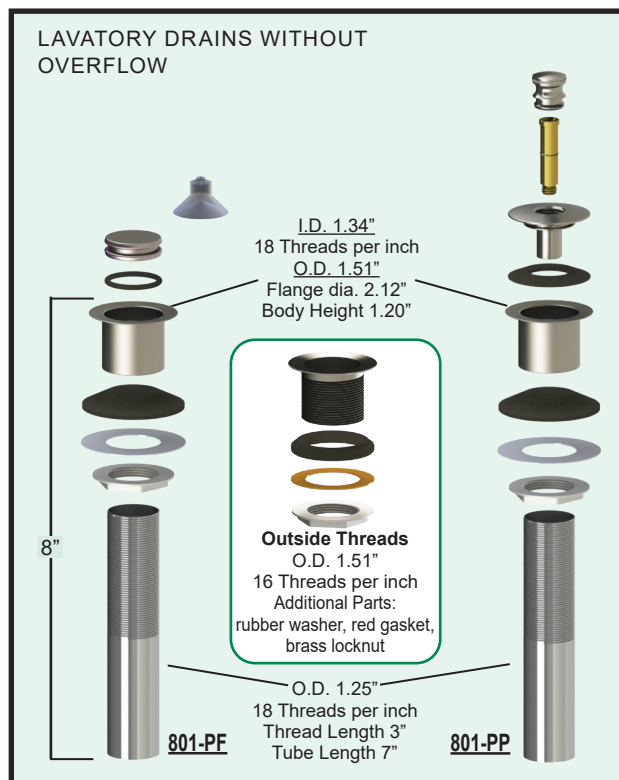
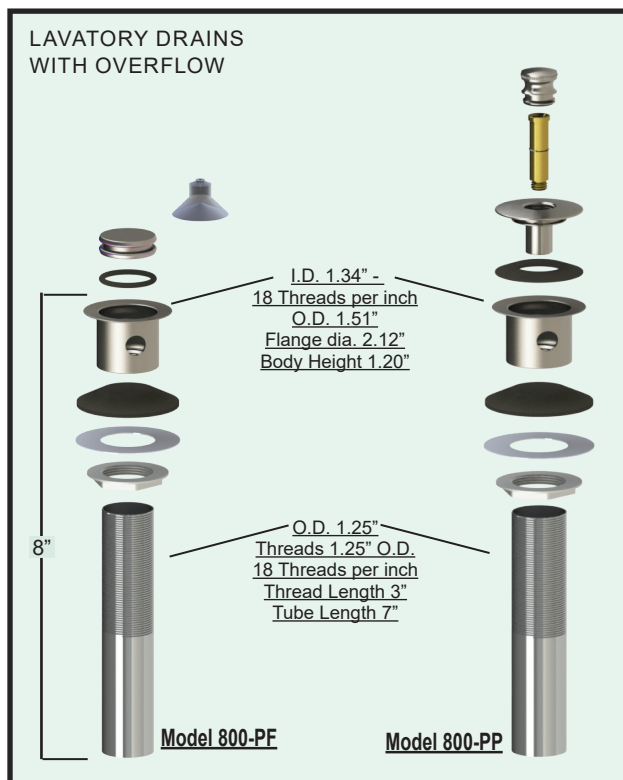
AP	CB
BB	NP
BN	PB
BZ	WI

FOR OUTSIDE THREADS
ON 801's,
ADD "OT" TO NUMBER.
EXAMPLE: 801-PP-BRS-BN-OT

801-PF



801-PP
801-PF-OT



Pricing available on www.watcomfg.com

700 - ABS

With Overflow

ABS PLASTIC WITH OVERFLOW;
FINE THREAD

20 Per Carton

700-PP-ABS-CP

800/801 SPECIAL DRAIN TUBES

Please use the following codes when ordering lav drains with an upgraded drain tube:

12	12" Chrome Lav Tube
PT7	7" Plated Lav Tube
PT12	12" Plated Lav Tube

BN-BZ-CB-NP-PB only.

Lavatory Drains

IdealLav™



One piece drop tube for easy installation

Removable, replaceable grid strainer

Internal stopper seals below the grid

Fits standard sinks with overflow

Tube available in Tubular PVC or solid Brass - Chrome Plated

Grid Strainer can be purchased separately

1 ¼" Tubular x 8 ½" Long

No Popup add -NPU to SKU

Dual use unit with ball add -BL to SKU

Tubular PVC

IdealLav™ Standard Products

Solid Brass - Chrome Plated

Product	Tube Material	Grid Strainer Mat'l.	Trim Finish	Part #
Lav w/Grid Strainer-Plastic	Tubular PVC	ABS Plastic	Chrome	715-P-CP
Lav w/Grid Strainer-Plastic	Tubular PVC	ABS Plastic	Brushed Nickel	715-P-BN
Lav w/Grid Strainer-Plastic	Tubular PVC	ABS Plastic	Rubbed Bronze	715-P-BZ
Lav w/Grid Strainer-Plastic	Tubular PVC	ABS Plastic	Wrought Iron	715-P-WI
Lav w/Grid Strainer-Brass	Tubular PVC	Brass	Chrome	715-B-CP
Lav w/Grid Strainer-Brass	Tubular PVC	Brass	Brushed Nickel	715-B-BN
Lav w/Grid Strainer-Brass	Tubular PVC	Brass	Rubbed Bronze	715-B-BZ
Lav w/Grid Strainer-Plastic	Chrome Plated Brass	ABS Plastic	Chrome	815-P-CP
Lav w/Grid Strainer-Plastic	Chrome Plated Brass	ABS Plastic	Brushed Nickel	815-P-BN
Lav w/Grid Strainer-Plastic	Chrome Plated Brass	ABS Plastic	Rubbed Bronze	815-P-BZ
Lav w/Grid Strainer-Brass	Chrome Plated Brass	Brass	Chrome	815-B-CP
Lav w/Grid Strainer-Brass	Chrome Plated Brass	Brass	Brushed Nickel	815-B-BN
Lav w/Grid Strainer-Brass	Chrome Plated Brass	Brass	Rubbed Bronze	815-B-BZ
Lav w/Grid Strainer-Brass	Chrome Plated Brass	Brass	Wrought Iron	815-B-WI

Replacement Grid Strainers

Material	Finish	Part #
Plastic	Chrome	01056-CP
Plastic	Brushed Nickel	01056-BN
Plastic	Rubbed Bronze	01056-BZ
Plastic	Wrought Iron	01056-WI
Brass	Chrome	01057-CP
Brass	Brushed Nickel	01057-BN
Brass	Rubbed Bronze	01057-BZ
Brass	Wrought Iron	01057-WI

Available in
Wrought Iron

Pricing available on www.watcomfg.com



Lavatory Drains

Patented and Patents Pending
See <https://www.watcomfg.com/Watco/patents/> for details.

Lavatory Drains: IdealLav™

IdealLav™

Features



Includes



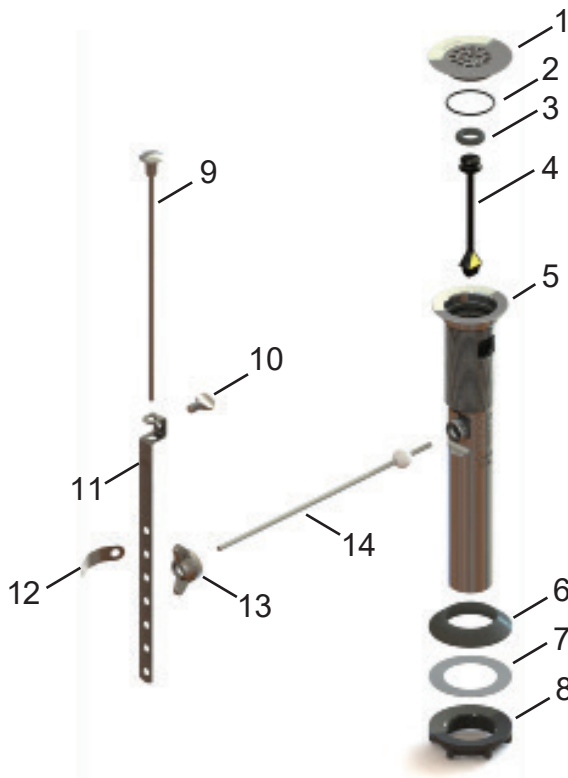
Replaceable Grid Strainer



Available in ABS or Solid Brass
Finishes:
Chrome Plated (CP)
Brushed Nickel (BN)
Rubbed Bronze (BZ)
Fits both PVC & Brass Tubes

Parts List

Item	Part #	Description
1	01054CP	IdealLav Brass Trim-CP
	01054BN	IdealLav Brass Trim-BN
	01054BZ	IdealLav Brass Trim-BZ
	01055CP	IdealLav Plastic Trim-CP
	01055BN	IdealLav Plastic Trim-BN
	01055BZ	IdealLav Plastic Trim-BN
2	11137	IdealLav Trim O-Ring
3	11135	IdealLav Stopper O-Ring
4	11151	IdealLav Stopper
5	10655CP	IdealLav Tube Brass
	10069	IdealLav Tube PVC
6	11506	IdealLav Outer Seal
7	10698	IdealLav Slip Washer
8	41581	IdealLav Large Nut Plastic
	41579	IdealLav Large Nut Metal
9	41052CP	IdealLav Lift Knob/Rod-CP
	41052BN	IdealLav Lift Knob/Rod-BN
	41052BZ	IdealLav Lift Knob/Rod-BZ
10	41048	IdealLav Thumb Screw
11	41049	IdealLav Clevis
12	41051	IdealLav Rod Clip
13	41046CP	IdealLav Pivot Ball Nut-CP
14	41045	IdealLav Rod Ball Assembly
15	41053	IdealLav Ball (NPU)







Pricing available on www.watcomfg.com

Universal NuFit® Trim Kits & Tub Closures





NOTE: For carded trim kits, place "-C" at end of item number.

INNOVATOR FACEPLATE - Trim Kit with Grid

10 Per Carton

 <p>948700-PP-CP-G PP Trim Kit with Grid and Silicone Packet</p>	 <p>948700-PP-CP-G-47 PP Trim Kit with Grid, Silicone & #11547 Pin</p>	 <p>948700-PP-CP-G-2P PP Trim Kit with Grid, Silicone, #47 & #51 Pins</p>	 <p>948700-PP-CP-G-3P PP Trim Kit with Grid, Silicone & All 3 Pins</p>
948700-PP-CP-G	948700-PP-CP-G-47	948700-PP-CP-G-2P	948700-PP-CP-G-3P
948700-PP-BB-G	948700-PP-BB-G-47	948700-PP-BB-G-2P	948700-PP-BB-G-3P
948700-PP-BN-G	948700-PP-BN-G-47	948700-PP-BN-G-2P	948700-PP-BN-G-3P
948700-PP-BS-G	948700-PP-BS-G-47	948700-PP-BS-G-2P	948700-PP-BS-G-3P
948700-PP-BZ-G	948700-PP-BZ-G-47	948700-PP-BZ-G-2P	948700-PP-BZ-G-3P
948700-PP-CB-G	948700-PP-CB-G-47	948700-PP-CB-G-2P	948700-PP-CB-G-3P
948700-PP-NP-G	948700-PP-NP-G-47	948700-PP-NP-G-2P	948700-PP-NP-G-3P
948700-PP-PB-G	948700-PP-PB-G-47	948700-PP-PB-G-2P	948700-PP-PB-G-3P
948700-PP-WH-G	948700-PP-WH-G-47	948700-PP-WH-G-2P	948700-PP-WH-G-3P
948700-PP-WI-G	948700-PP-WI-G-47	948700-PP-WI-G-2P	948700-PP-WI-G-3P

1-HOLE FACEPLATE: (For 2-Hole, add "-2H" to part number)

 <p>48700-PP-CP-G PP Trim Kit with Grid and Silicone Packet</p>	 <p>48700-PP-CP-G-47 PP Trim Kit with Grid, Silicone & #11547 Pin</p>	 <p>48700-PP-CP-G-2P PP Trim Kit with Grid, Silicone, #47 & #51 Pins</p>	 <p>48700-PP-CP-G-3P PP Trim Kit with Grid, Silicone & All 3 Pins</p>
48700-PP-CP-G	48700-PP-CP-G-47	48700-PP-CP-G-2P	48700-PP-CP-G-3P
48700-PP-BB-G	48700-PP-BB-G-47	48700-PP-BB-G-2P	48700-PP-BB-G-3P
48700-PP-BN-G	48700-PP-BN-G-47	48700-PP-BN-G-2P	48700-PP-BN-G-3P
48700-PP-BS-G	48700-PP-BS-G-47	48700-PP-BS-G-2P	48700-PP-BS-G-3P
48700-PP-BZ-G	48700-PP-BZ-G-47	48700-PP-BZ-G-2P	48700-PP-BZ-G-3P
48700-PP-CB-G	48700-PP-CB-G-47	48700-PP-CB-G-2P	48700-PP-CB-G-3P
48700-PP-NP-G	48700-PP-NP-G-47	48700-PP-NP-G-2P	48700-PP-NP-G-3P
48700-PP-PB-G	48700-PP-PB-G-47	48700-PP-PB-G-2P	48700-PP-PB-G-3P
48700-PP-WH-G	48700-PP-WH-G-47	48700-PP-WH-G-2P	48700-PP-WH-G-3P
48700-PP-WI-G	48700-PP-WI-G-47	48700-PP-WI-G-2P	48700-PP-WI-G-3P

TUB CLOSURES - with Grid

20 Per Carton

 <p>48750-PP-CP-G PP Tub Closure with Grid and Silicone Packet</p>	 <p>48750-PP-CP-G-47 PP Tub Closure with Grid, Silicone & #11547 Pin</p>	 <p>48750-PP-CP-G-2P PP Tub Closure with Grid, Silicone, #47 & #51 Pins</p>	 <p>48750-PP-CP-G-3P PP Tub Closure with Grid, Silicone & All 3 Pins</p>
48750-PP-CP-G	48750-PP-CP-G-47	48750-PP-CP-G-2P	48750-PP-CP-G-3P
48750-PP-BB-G	48750-PP-BB-G-47	48750-PP-BB-G-2P	48750-PP-BB-G-3P
48750-PP-BN-G	48750-PP-BN-G-47	48750-PP-BN-G-2P	48750-PP-BN-G-3P
48750-PP-BS-G	48750-PP-BS-G-47	48750-PP-BS-G-2P	48750-PP-BS-G-3P
48750-PP-BZ-G	48750-PP-BZ-G-47	48750-PP-BZ-G-2P	48750-PP-BZ-G-3P
48750-PP-CB-G	48750-PP-CB-G-47	48750-PP-CB-G-2P	48750-PP-CB-G-3P
48750-PP-NP-G	48750-PP-NP-G-47	48750-PP-NP-G-2P	48750-PP-NP-G-3P
48750-PP-PB-G	48750-PP-PB-G-47	48750-PP-PB-G-2P	48750-PP-PB-G-3P
48750-PP-WH-G	48750-PP-WH-G-47	48750-PP-WH-G-2P	48750-PP-WH-G-3P
48750-PP-WI-G	48750-PP-WI-G-47	48750-PP-WI-G-2P	48750-PP-WI-G-3P

Pricing available on www.watcomfg.com



Push Pull® Stopper

REPLACEMENT STOPPER: Push Pull®



487SA-PP-CP	487SA-PP-CB
487SA-PP-BB	487SA-PP-NP
487SA-PP-BN	487SA-PP-PB
487SA-PP-BS	487SA-PP-WH
487SA-PP-BZ	

2-Hole Faceplate



Add -2H

Additional Options: (Add to Part Number)

			
-47 #11547 Pin 3/8-5/16 Brass Pin	-54 #11554 Pin 1/4-20 Brass Pin	-51 #11551 Pin #10-24 Brass Pin	-NS Silicone Packet
			
-2P #47 & #51 Brass Pins	-2P2 #47 & #54 Brass Pins	-3P All 3 Brass Pins	-WB Watco Bonding Strip

Universal NuFit® Trim Kits & Tub Closures





NOTE: For carded trim kits, place "-C" at end of item number.

INNOVATOR FACEPLATE - Trim Kit without Grid

10 Per Carton

 <p>948700-PP-CP PP Trim Kit without Grid and Silicone Packet</p>	 <p>948700-PP-CP-47 PP Trim Kit without Grid, Silicone & #11547 Pin</p>	 <p>948700-PP-CP-2P PP Trim Kit without Grid, Silicone, #47 & #51 Pins</p>	 <p>948700-PP-CP-3P PP Trim Kit without Grid, Silicone & All 3 Pins</p>																																						
<table border="1"> <tr><td>948700-PP-CP</td><td>948700-PP-CP-47</td></tr> <tr><td>948700-PP-BB</td><td>948700-PP-BB-47</td></tr> <tr><td>948700-PP-BN</td><td>948700-PP-BN-47</td></tr> <tr><td>948700-PP-BS</td><td>948700-PP-BS-47</td></tr> <tr><td>948700-PP-BZ</td><td>948700-PP-BZ-47</td></tr> <tr><td>948700-PP-CB</td><td>948700-PP-CB-47</td></tr> <tr><td>948700-PP-NP</td><td>948700-PP-NP-47</td></tr> <tr><td>948700-PP-PB</td><td>948700-PP-PB-47</td></tr> <tr><td>948700-PP-WH</td><td>948700-PP-WH-47</td></tr> <tr><td>948700-PP-WI</td><td>948700-PP-WI-47</td></tr> </table>	948700-PP-CP	948700-PP-CP-47	948700-PP-BB	948700-PP-BB-47	948700-PP-BN	948700-PP-BN-47	948700-PP-BS	948700-PP-BS-47	948700-PP-BZ	948700-PP-BZ-47	948700-PP-CB	948700-PP-CB-47	948700-PP-NP	948700-PP-NP-47	948700-PP-PB	948700-PP-PB-47	948700-PP-WH	948700-PP-WH-47	948700-PP-WI	948700-PP-WI-47	<table border="1"> <tr><td>948700-PP-CP-2P</td><td>948700-PP-CP-3P</td></tr> <tr><td>948700-PP-BB-2P</td><td>948700-PP-BB-3P</td></tr> <tr><td>948700-PP-BN-2P</td><td>948700-PP-BN-3P</td></tr> <tr><td>948700-PP-BS-2P</td><td>948700-PP-BS-3P</td></tr> <tr><td>948700-PP-BZ-2P</td><td>948700-PP-BZ-3P</td></tr> <tr><td>948700-PP-CB-2P</td><td>948700-PP-CB-3P</td></tr> <tr><td>948700-PP-NP-2P</td><td>948700-PP-NP-3P</td></tr> <tr><td>948700-PP-PB-2P</td><td>948700-PP-PB-3P</td></tr> <tr><td>948700-PP-WH-2P</td><td>948700-PP-WH-3P</td></tr> <tr><td>948700-PP-WI-2P</td><td>948700-PP-WI-3P</td></tr> </table>	948700-PP-CP-2P	948700-PP-CP-3P	948700-PP-BB-2P	948700-PP-BB-3P	948700-PP-BN-2P	948700-PP-BN-3P	948700-PP-BS-2P	948700-PP-BS-3P	948700-PP-BZ-2P	948700-PP-BZ-3P	948700-PP-CB-2P	948700-PP-CB-3P	948700-PP-NP-2P	948700-PP-NP-3P	948700-PP-PB-2P	948700-PP-PB-3P	948700-PP-WH-2P	948700-PP-WH-3P	948700-PP-WI-2P	948700-PP-WI-3P
948700-PP-CP	948700-PP-CP-47																																								
948700-PP-BB	948700-PP-BB-47																																								
948700-PP-BN	948700-PP-BN-47																																								
948700-PP-BS	948700-PP-BS-47																																								
948700-PP-BZ	948700-PP-BZ-47																																								
948700-PP-CB	948700-PP-CB-47																																								
948700-PP-NP	948700-PP-NP-47																																								
948700-PP-PB	948700-PP-PB-47																																								
948700-PP-WH	948700-PP-WH-47																																								
948700-PP-WI	948700-PP-WI-47																																								
948700-PP-CP-2P	948700-PP-CP-3P																																								
948700-PP-BB-2P	948700-PP-BB-3P																																								
948700-PP-BN-2P	948700-PP-BN-3P																																								
948700-PP-BS-2P	948700-PP-BS-3P																																								
948700-PP-BZ-2P	948700-PP-BZ-3P																																								
948700-PP-CB-2P	948700-PP-CB-3P																																								
948700-PP-NP-2P	948700-PP-NP-3P																																								
948700-PP-PB-2P	948700-PP-PB-3P																																								
948700-PP-WH-2P	948700-PP-WH-3P																																								
948700-PP-WI-2P	948700-PP-WI-3P																																								

1-HOLE FACEPLATE: (For 2-Hole, add "-2H" to part number)

 <p>48700-PP-CP PP Trim Kit without Grid and Silicone Packet</p>	 <p>48700-PP-CP-47 PP Trim Kit without Grid, Silicone & #11547 Pin</p>	 <p>48700-PP-CP-2P PP Trim Kit without Grid, Silicone, #47 & #51 Pins</p>	 <p>48700-PP-CP-3P PP Trim Kit without Grid, Silicone & All 3 Pins</p>																																						
<table border="1"> <tr><td>48700-PP-CP</td><td>48700-PP-CP-47</td></tr> <tr><td>48700-PP-BB</td><td>48700-PP-BB-47</td></tr> <tr><td>48700-PP-BN</td><td>48700-PP-BN-47</td></tr> <tr><td>48700-PP-BS</td><td>48700-PP-BS-47</td></tr> <tr><td>48700-PP-BZ</td><td>48700-PP-BZ-47</td></tr> <tr><td>48700-PP-CB</td><td>48700-PP-CB-47</td></tr> <tr><td>48700-PP-NP</td><td>48700-PP-NP-47</td></tr> <tr><td>48700-PP-PB</td><td>48700-PP-PB-47</td></tr> <tr><td>48700-PP-WH</td><td>48700-PP-WH-47</td></tr> <tr><td>48700-PP-WI</td><td>48700-PP-WI-47</td></tr> </table>	48700-PP-CP	48700-PP-CP-47	48700-PP-BB	48700-PP-BB-47	48700-PP-BN	48700-PP-BN-47	48700-PP-BS	48700-PP-BS-47	48700-PP-BZ	48700-PP-BZ-47	48700-PP-CB	48700-PP-CB-47	48700-PP-NP	48700-PP-NP-47	48700-PP-PB	48700-PP-PB-47	48700-PP-WH	48700-PP-WH-47	48700-PP-WI	48700-PP-WI-47	<table border="1"> <tr><td>48700-PP-CP-2P</td><td>48700-PP-CP-3P</td></tr> <tr><td>48700-PP-BB-2P</td><td>48700-PP-BB-3P</td></tr> <tr><td>48700-PP-BN-2P</td><td>48700-PP-BN-3P</td></tr> <tr><td>48700-PP-BS-2P</td><td>48700-PP-BS-3P</td></tr> <tr><td>48700-PP-BZ-2P</td><td>48700-PP-BZ-3P</td></tr> <tr><td>48700-PP-CB-2P</td><td>48700-PP-CB-3P</td></tr> <tr><td>48700-PP-NP-2P</td><td>48700-PP-NP-3P</td></tr> <tr><td>48700-PP-PB-2P</td><td>48700-PP-PB-3P</td></tr> <tr><td>48700-PP-WH-2P</td><td>48700-PP-WH-3P</td></tr> <tr><td>48700-PP-WI-2P</td><td>48700-PP-WI-3P</td></tr> </table>	48700-PP-CP-2P	48700-PP-CP-3P	48700-PP-BB-2P	48700-PP-BB-3P	48700-PP-BN-2P	48700-PP-BN-3P	48700-PP-BS-2P	48700-PP-BS-3P	48700-PP-BZ-2P	48700-PP-BZ-3P	48700-PP-CB-2P	48700-PP-CB-3P	48700-PP-NP-2P	48700-PP-NP-3P	48700-PP-PB-2P	48700-PP-PB-3P	48700-PP-WH-2P	48700-PP-WH-3P	48700-PP-WI-2P	48700-PP-WI-3P
48700-PP-CP	48700-PP-CP-47																																								
48700-PP-BB	48700-PP-BB-47																																								
48700-PP-BN	48700-PP-BN-47																																								
48700-PP-BS	48700-PP-BS-47																																								
48700-PP-BZ	48700-PP-BZ-47																																								
48700-PP-CB	48700-PP-CB-47																																								
48700-PP-NP	48700-PP-NP-47																																								
48700-PP-PB	48700-PP-PB-47																																								
48700-PP-WH	48700-PP-WH-47																																								
48700-PP-WI	48700-PP-WI-47																																								
48700-PP-CP-2P	48700-PP-CP-3P																																								
48700-PP-BB-2P	48700-PP-BB-3P																																								
48700-PP-BN-2P	48700-PP-BN-3P																																								
48700-PP-BS-2P	48700-PP-BS-3P																																								
48700-PP-BZ-2P	48700-PP-BZ-3P																																								
48700-PP-CB-2P	48700-PP-CB-3P																																								
48700-PP-NP-2P	48700-PP-NP-3P																																								
48700-PP-PB-2P	48700-PP-PB-3P																																								
48700-PP-WH-2P	48700-PP-WH-3P																																								
48700-PP-WI-2P	48700-PP-WI-3P																																								

TUB CLOSURES - without Grid

20 Per Carton

 <p>48750-PP-CP PP Tub Closure w/o Grid and Silicone Packet</p>	 <p>48750-PP-CP-47 PP Tub Closure w/o Grid, Silicone & #11547 Pin</p>	 <p>48750-PP-CP-2P PP Tub Closure w/o Grid, Silicone, #47 & #51 Pins</p>	 <p>48750-PP-CP-3P PP Tub Closure w/o Grid, Silicone & All 3 Pins</p>																																						
<table border="1"> <tr><td>48750-PP-CP</td><td>48750-PP-CP-47</td></tr> <tr><td>48750-PP-BB</td><td>48750-PP-BB-47</td></tr> <tr><td>48750-PP-BN</td><td>48750-PP-BN-47</td></tr> <tr><td>48750-PP-BS</td><td>48750-PP-BS-47</td></tr> <tr><td>48750-PP-BZ</td><td>48750-PP-BZ-47</td></tr> <tr><td>48750-PP-CB</td><td>48750-PP-CB-47</td></tr> <tr><td>48750-PP-NP</td><td>48750-PP-NP-47</td></tr> <tr><td>48750-PP-PB</td><td>48750-PP-PB-47</td></tr> <tr><td>48750-PP-WH</td><td>48750-PP-WH-47</td></tr> <tr><td>48750-PP-WI</td><td>48750-PP-WI-47</td></tr> </table>	48750-PP-CP	48750-PP-CP-47	48750-PP-BB	48750-PP-BB-47	48750-PP-BN	48750-PP-BN-47	48750-PP-BS	48750-PP-BS-47	48750-PP-BZ	48750-PP-BZ-47	48750-PP-CB	48750-PP-CB-47	48750-PP-NP	48750-PP-NP-47	48750-PP-PB	48750-PP-PB-47	48750-PP-WH	48750-PP-WH-47	48750-PP-WI	48750-PP-WI-47	<table border="1"> <tr><td>48750-PP-CP-2P</td><td>48750-PP-CP-3P</td></tr> <tr><td>48750-PP-BB-2P</td><td>48750-PP-BB-3P</td></tr> <tr><td>48750-PP-BN-2P</td><td>48750-PP-BN-3P</td></tr> <tr><td>48750-PP-BS-2P</td><td>48750-PP-BS-3P</td></tr> <tr><td>48750-PP-BZ-2P</td><td>48750-PP-BZ-3P</td></tr> <tr><td>48750-PP-CB-2P</td><td>48750-PP-CB-3P</td></tr> <tr><td>48750-PP-NP-2P</td><td>48750-PP-NP-3P</td></tr> <tr><td>48750-PP-PB-2P</td><td>48750-PP-PB-3P</td></tr> <tr><td>48750-PP-WH-2P</td><td>48750-PP-WH-3P</td></tr> <tr><td>48750-PP-WI-2P</td><td>48750-PP-WI-3P</td></tr> </table>	48750-PP-CP-2P	48750-PP-CP-3P	48750-PP-BB-2P	48750-PP-BB-3P	48750-PP-BN-2P	48750-PP-BN-3P	48750-PP-BS-2P	48750-PP-BS-3P	48750-PP-BZ-2P	48750-PP-BZ-3P	48750-PP-CB-2P	48750-PP-CB-3P	48750-PP-NP-2P	48750-PP-NP-3P	48750-PP-PB-2P	48750-PP-PB-3P	48750-PP-WH-2P	48750-PP-WH-3P	48750-PP-WI-2P	48750-PP-WI-3P
48750-PP-CP	48750-PP-CP-47																																								
48750-PP-BB	48750-PP-BB-47																																								
48750-PP-BN	48750-PP-BN-47																																								
48750-PP-BS	48750-PP-BS-47																																								
48750-PP-BZ	48750-PP-BZ-47																																								
48750-PP-CB	48750-PP-CB-47																																								
48750-PP-NP	48750-PP-NP-47																																								
48750-PP-PB	48750-PP-PB-47																																								
48750-PP-WH	48750-PP-WH-47																																								
48750-PP-WI	48750-PP-WI-47																																								
48750-PP-CP-2P	48750-PP-CP-3P																																								
48750-PP-BB-2P	48750-PP-BB-3P																																								
48750-PP-BN-2P	48750-PP-BN-3P																																								
48750-PP-BS-2P	48750-PP-BS-3P																																								
48750-PP-BZ-2P	48750-PP-BZ-3P																																								
48750-PP-CB-2P	48750-PP-CB-3P																																								
48750-PP-NP-2P	48750-PP-NP-3P																																								
48750-PP-PB-2P	48750-PP-PB-3P																																								
48750-PP-WH-2P	48750-PP-WH-3P																																								
48750-PP-WI-2P	48750-PP-WI-3P																																								

Pricing available on www.watcomfg.com



Push Pull® Stopper

REPLACEMENT STOPPER: Push Pull®



487SA-PP-CP	487SA-PP-CB
487SA-PP-BB	487SA-PP-NP
487SA-PP-BN	487SA-PP-PB
487SA-PP-BS	487SA-PP-WH
487SA-PP-BZ	

2-Hole Faceplate







Add -2H


Additional Options: (Add to Part Number)





			
-47 #11547 Pin 3/8-5/16 Brass Pin	-54 #11554 Pin 1/4-20 Brass Pin	-51 #11551 Pin #10-24 Brass Pin	-NS Silicone Packet
			
-2P #47 & #51 Brass Pins	-2P2 #47 & #54 Brass Pins	-3P All 3 Brass Pins	-WB Watco Bonding Strip

Universal NuFit® Trim Kits & Tub Closures

NOTE: For carded trim kits, place "-C" at end of item number.

INNOVATOR FACEPLATE - FA Trim Kit with Grid			10 Per Carton
			
948700-FA-CP-G FA Trim Kit with Grid and Silicone Packet	948700-FA-CP-G-47 FA Trim Kit with Grid, Silicone & #11547 Pin	948700-FA-CP-G-2P FA Trim Kit with Grid, Silicone, #47 & #51 Pins	948700-FA-CP-G-3P FA Trim Kit with Grid, Silicone & All 3 Pins
948700-FA-CP-G 948700-FA-AB-G 948700-FA-BN-G 948700-FA-BZ-G 948700-FA-CB-G 948700-FA-PB-G 948700-FA-WH-G 948700-FA-WI-G	948700-FA-CP-G-47 948700-FA-AB-G-47 948700-FA-BN-G-47 948700-FA-BZ-G-47 948700-FA-CB-G-47 948700-FA-PB-G-47 948700-FA-WH-G-47 948700-FA-WI-G-47	948700-FA-CP-G-2P 948700-FA-AB-G-2P 948700-FA-BN-G-2P 948700-FA-BZ-G-2P 948700-FA-CB-G-2P 948700-FA-PB-G-2P 948700-FA-WH-G-2P 948700-FA-WI-G-2P	948700-FA-CP-G-3P 948700-FA-AB-G-3P 948700-FA-BN-G-3P 948700-FA-BZ-G-3P 948700-FA-CB-G-3P 948700-FA-PB-G-3P 948700-FA-WH-G-3P 948700-FA-WI-G-3P

1-HOLE : (For 2-Hole, add "-2H" to part number)			
			
48700-FA-CP-G FA Trim Kit with Grid and Silicone Packet	48700-FA-CP-G-47 FA Trim Kit with Grid, Silicone & #11547 Pin	48700-FA-CP-G-2P FA Trim Kit with Grid, Silicone, #47 & #51 Pins	48700-FA-CP-G-3P FA Trim Kit with Grid, Silicone & All 3 Pins
48700-FA-CP-G 48700-FA-AB-G 48700-FA-BN-G 48700-FA-BZ-G 48700-FA-CB-G 48700-FA-PB-G 48700-FA-WH-G 48700-FA-WI-G	48700-FA-CP-G-47 48700-FA-AB-G-47 48700-FA-BN-G-47 48700-FA-BZ-G-47 48700-FA-CB-G-47 48700-FA-PB-G-47 48700-FA-WH-G-47 48700-FA-WI-G-47	48700-FA-CP-G-2P 48700-FA-AB-G-2P 48700-FA-BN-G-2P 48700-FA-BZ-G-2P 48700-FA-CB-G-2P 48700-FA-PB-G-2P 48700-FA-WH-G-2P 48700-FA-WI-G-2P	48700-FA-CP-G-3P 48700-FA-AB-G-3P 48700-FA-BN-G-3P 48700-FA-BZ-G-3P 48700-FA-CB-G-3P 48700-FA-PB-G-3P 48700-FA-WH-G-3P 48700-FA-WI-G-3P

TUB CLOSURES - FA with Grid			20 Per Carton
			
48750-FA-CP-G FA Tub Closure with Grid and Silicone Packet	48750-FA-CP-G-47 FA Tub Closure with Grid, Silicone & #11547 Pin	48750-FA-CP-G-2P FA Tub Closure with Grid, Silicone, #47 & #51 Pins	48750-FA-CP-G-3P FA Tub Closure with Grid, Silicone & All 3 Pins
48750-FA-CP-G 48750-FA-AB-G 48750-FA-BN-G 48750-FA-BZ-G 48750-FA-CB-G 48750-FA-PB-G 48750-FA-WH-G 48750-FA-WI-G	48750-FA-CP-G-47 48750-FA-AB-G-47 48750-FA-BN-G-47 48750-FA-BZ-G-47 48750-FA-CB-G-47 48750-FA-PB-G-47 48750-FA-WH-G-47 48750-FA-WI-G-47	48750-FA-CP-G-2P 48750-FA-AB-G-2P 48750-FA-BN-G-2P 48750-FA-BZ-G-2P 48750-FA-CB-G-2P 48750-FA-PB-G-2P 48750-FA-WH-G-2P 48750-FA-WI-G-2P	48750-FA-CP-G-3P 48750-FA-AB-G-3P 48750-FA-BN-G-3P 48750-FA-BZ-G-3P 48750-FA-CB-G-3P 48750-FA-PB-G-3P 48750-FA-WH-G-3P 48750-FA-WI-G-3P

Pricing available on www.watcomfg.com



Foot Actuated Stopper

FA Replacement Stopper
NOT Available.

2-Hole Faceplate



Add -2H

Additional Options: (Add to Part Number)

 -47 #11547 Pin 3/8-5/16 Brass Pin	 -54 #11554 Pin 1/4-20 Brass Pin	 -51 #11551 Pin #10-24 Brass Pin	 -NS Silicone Packet
 -2P #47 & #51 Brass Pins	 -2P2 #47 & #54 Brass Pins	 -3P All 3 Brass Pins	 -WB Watco Bonding Strip

Pricing available on www.watcomfg.com

Trim Kits

Patented and Patents Pending
See watcomfg.com for details.

NOTE: For carded trim kits, place "-C" at end of item number.

NuFit® Kits

NuFit®

NuFit® kits and tub closures easily and quickly install over existing strainer bodies, requiring only the provided silicone adhesive.

NuFit®-Innovator®

Converts conventional overflow and drain to Innovator® snap-on overflow plate and NuFit® strainer body. Includes one each of #11121 Star Retainer Nut, #11641 Adapter Bar, Innovator® Overflow Plate, NuFit® body, stopper assembly, and silicone adhesive.

PRESFLO® TRIM KITS



948100-CP

Metal Stopper **ADD** call

OTHER PF	AP	CB
FINISHES:	BN	PB
	BZ	WI

PUSH PULL® TRIM KITS



948500-CP

OTHER LT	BN	PB
FINISHES:	BS	WH
	BZ	

LIFT AND TURN TRIM KITS

10 Per Carton

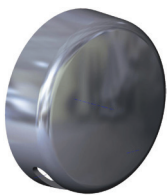


948400-CP

OTHER LT	BN	CB
FINISHES:	BZ	PB

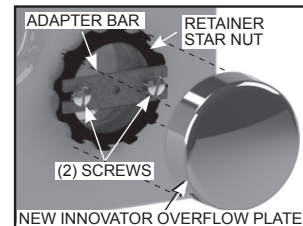
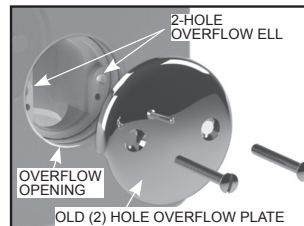
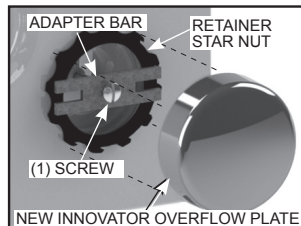
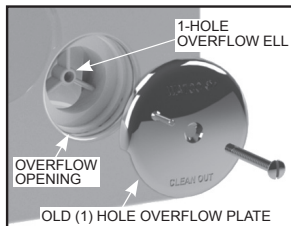
See next page for additional NuFit® models.

Pricing available on www.watcomfg.com



Convert an existing 1-hole or 2-hole faceplate to the Innovator® snap-on faceplate.

INSTRUCTIONS FOR CONVERTING AN EXISTING 1-HOLE OR 2-HOLE OVERFLOW PLATE TO A NEW WATCO SNAP-ON INNOVATOR® OVERFLOW PLATE



1. Remove old 1-hole Overflow Plate. Save old screw and re-use.
2. Thread screw all the way into the Adapter Bar.
3. Center and hold the Retainer Star Nut, with prongs pointing out, onto the overflow opening.
4. Thread the screw, with adapter bar, into the Overflow Ell screw hole.
5. Snug the Adapter Bar up to the Retainer Star Nut. **DO NOT OVER TIGHTEN.**
6. Snap on the new Innovator Overflow Plate with the overflow opening facing down.

1. Remove old 2-hole Overflow Plate. Save old screws and re-use.
2. Center and hold the Retainer Star Nut, with prongs pointing out, and Adapter Bar onto overflow opening in position shown.
3. Pass the 2 screws through the end slots of the Adapter Bar and thread into the Overflow Ell screw holes.
4. Snug the Adapter Bar up to the Retainer Star Nut. **DO NOT OVER TIGHTEN.**
5. Snap on the new Innovator Overflow Plate with the overflow opening facing down.

©2013 Watco Manufacturing Co. 1220 South Powell Road, Independence, MO 64057 816.796.3900 www.watcomfg.com

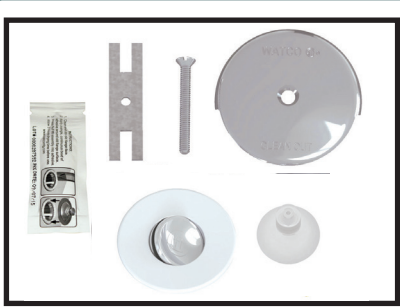


18900 0613



AVAILABLE IN 2-HOLE: Add "2H" to part number. (Example: 48100-CP-2H)

PRESFLO®



#48100 Trim Kit

Brass body, plastic stopper assembly, metal overflow plate, adapter bar, screw, suction cup, and silicone adhesive.

For metal stopper, add "-MS".



10 Per Carton

48100-CP

Metal Stopper **ADD** Call

AP	CB
BN	PB
BZ	WI



#48200 Tub Closure

Brass body, plastic stopper assembly, suction cup, and silicone adhesive.

For metal stopper, add "-MS".



20 Per Carton

48200-CP

Metal Stopper **ADD** Call

AP	CB
BN	PB
BZ	WI

NuFIT® PRESFLO® FEATURES

Does not need crossbars in old body.

Requires minimum 1.490" I.D. opening
Flange covers maximum of 2.875" O.D.
Depth clearance needed = .850"

PUSH PULL®



#48500 Trim Kit

Brass body, brass stopper assembly, 3/8" and 5/16" brass pins, metal overflow plate, adapter bar, screw, and silicone adhesive. Old strainer body must have crossbars.

10 Per Carton

48500-CP

BN	PB
BS	WH
BZ	



#48600 Tub Closure

Brass body, brass stopper assembly, 3/8" and 5/16" brass pins, and silicone adhesive. Old strainer body must have crossbars.

20 Per Carton

48600-CP

BN	PB
BS	WH
BZ	

NuFIT® PUSH PULL® FEATURES

Old body **MUST** have crossbars.

Requires minimum 1.410" I.D. opening
Flange covers maximum of 2.875" O.D.
Depth clearance needed = .860"

LIFT AND TURN



#48400 Trim Kit

Brass body, brass stopper assembly, metal overflow plate, adapter bar, screw, and silicone adhesive. Has crossbars in body.

10 Per Carton

48400-CP

BN	CB
BZ	PB

LIFT AND TURN REPLACEMENT STOPPER

See #38812 on page 58.



#48300 Tub Closure

Brass body, brass stopper assembly, and silicone adhesive. Comes with crossbars in strainer body.

20 Per Carton

48300-CP

BN	CB
BZ	PB

NuFIT® LIFT AND TURN FEATURES

Does **NOT** need crossbars in old body.

Requires minimum 1.390" I.D. opening
Flange covers maximum of 2.875" O.D.
Depth clearance needed = .390"

Trim Kits

Patented and Patents Pending
See watcomfg.com for details.

NOTE: For carded trim kits, place "-C" at end of item number.

QuickTrim® Kits

QuickTrim® Kits

Install chrome on the rough-in and easily upgrade to a special finish without removing the strainer body

- Sturdy stainless steel looks as good as the original strainer body.
- No reduction in flow rate.
- Produces very little additional height or inside-diameter reduction.
- Uses an o-ring for a tight, snug fit (one for brass strainer bodies and one for zinc strainer bodies).
- Eliminates destroying the integrity of your test.
- Eliminates labor required to remove and replace the strainer body.
- Eliminates the possibility of cross-threading or damaging the tub when replacing the strainer body, or of the drain fitting moving out of line due to being stressed during installation (can require cutting open the sheetrock to repair).

Designed for use on Watco's coarse-thread (1.865" - 11.5) strainer bodies: brass body #01016 and zinc body #11492

Will NOT work with PRESFLO® stoppers.

Strainer Body Covers

Existing stopper is to be used and existing strainer body must have good crossbars.



91050-CP

20 Per Carton

AP	BO	CB	WH
BB	BS	NP	WI
BN	BZ	PB	

Tub Closures

Existing strainer body must have good crossbars.



Brass Knob & Stopper

Lift and Turn 91615-CP

PUSH PULL® 91610-CP

Foot Actuated 91618-CP

FA only in BB-BN-BZ-CB-CP-NP-PB-WI

20 Per Carton

AP	BN	BZ	PB
BB	BO	CB	WH
BG	BS	NP	WI

Innovator® QuickTrim®

Lift and Turn 959290-CP

PUSH PULL® 939290-CP

Foot Actuated 969290-CP

FA only in BB-BN-BZ-CB-CP-NP-PB-WI



10 Per Carton

AP	BN	BZ	PB
BB	BO	CB	WH
BG	BS	NP	WI

TO ADD STAR RETAINER NUT & ADAPTER BAR, ADD "-11" TO PART NUMBER.

EXAMPLE: 959290-CP-11.

1-Hole Overflow QuickTrim®

2-Hole Overflow plate, add "2H" to item number.



10 Per Carton

Lift and Turn 59290-CP

PUSH PULL® 39290-CP

Foot Actuated 69290-CP

FA only in BB-BN-BZ-CB-CP-NP-PB-WI

AP	BO	CB	WH
BB	BS	NP	WI
BN	BZ	PB	

Universal Innovator® QuickTrim®

Innovator® faceplate, strainer body cover, two o-rings, PUSH PULL® stopper assembly with 3/8" and 5/16" pins, adapter bar, retainer star nut, and silicone adhesive.



U939290-CP

10 Per Carton

AP	BO	CB	WH
BB	BS	NP	WI
BN	BZ	PB	

Universal 1-Hole QuickTrim®

1-hole faceplate and faceplate screw, strainer body cover, two o-rings, PUSH PULL® stopper assembly with 3/8" and 5/16" pins, adapter bar, and silicone adhesive.



U39290-CP

10 Per Carton

AP	BO	CB	WH
BB	BS	NP	WI
BN	BZ	PB	

FOR 2-HOLE OVERFLOW PLATE, ADD "2H" TO ITEM NUMBER.

Pricing available on www.watcomfg.com



Pricing available on www.watcomfg.com

528 Brass Cable Trim Kit

Trim Only

Overflow plate and overflow plate locking screw, TurnStyle® overflow mount without prongs, full-cover stopper with washer, and cable strainer body.



52800-CP

52800

BN	BZ	PB
BO	CB	WH
BS	NP	WI

10 Per Carton

Conversion Kit

Conversion kit with a short stopper converts a cable drain stopper to a Lift and Turn stopper assembly.



48301-CP

48301

BN	BZ	PB
BO	CB	WH
BS	NP	WI

20 Per Carton

Innovator Cable® Innovator CableFlex®

92999

Fits all Innovator Cable® and CableFlex® models.

Strainer body, core guide, cable faceplate, screw, stopper assembly, and overflow elbow retainer nut.



Innovator Cable® Trim Kits

92999-CP

AP	BS	NP
BB	BZ	PB
BN	CB	WH
		WI

Innovator Cable® Trim Kits with ADA Handle

92999-CPAD

APAD	BSAD	NPAD
BBAD	BZAD	PBAD
BNAD	CBAD	WHAD

10 Per Carton

92888

Fits all Innovator Cable® and CableFlex® models.

Stopper assembly, cable faceplate, screw, strainer body cover, o-ring, and cable overflow retainer nut cover.



QuickTrim®

No need to replace strainer body.

Innovator Cable® Trim Kits with QuickTrim® body cover

92888-CP

AP	BS	NP
BB	BZ	PB
BN	CB	WH
		WI

Innovator Cable® Trim Kits with ADA Handle and QuickTrim® body cover

92888-CPAD

APAD	BSAD	NPAD
BBAD	BZAD	PBAD
BNAD	CBAD	WHAD

10 Per Carton

Repair Kit

For all Innovator Cable® models

#92900

(See drawing on page 58 for what is included in Repair Kit.)

Trim Kits

11.5- & 12-Thread Bodies - Coarse Thread

Patented/Patent Pending

NOTE: For carded trim kits, place "-C" at end of item number.

11.5-Thread Innovator® (Coarse Thread)

WITH SNAP-ON OVERFLOW PLATE



10 Per Carton

11.5-Thread

1-Hole OF Plate

2-Hole Overflow plate, add "2H" to item number.



10 Per Carton

Change trim finishes on Innovator® bath wastes.

Thread size: 1.865" O.D. - 11.5 tpi x 1.25" depth

Flange: 2-7/8"

Trade designation 1-1/2" x 11.5 Coarse Thread

- Lift and Turn 958290-CP
- PUSH PULL® 938290-CP
- PRESFLO® 938250-CP
- PF NOT in BO-BS-WH
- Foot Actuated 968290-CP
- FA:BB-BN-BZ-CB-CP-NP-PB-WI

Includes:
Innovator® OF Plate,
11.5 tpi Body, and
Stopper Assembly

AP	BO	CB	WH
BB	BS	NP	WI
BN	BZ	PB	

Thread size: 1.865" O.D. x 11.5 tpi - 1.25" depth

Flange: 2-7/8"

Trade designation 1-1/2" x 11.5 - Coarse Thread

- Lift and Turn 58290-CP
- PUSH PULL® 38290-CP
- PRESFLO® 38250-CP
- PF NOT in BO-BS-WH
- Foot Actuated 68290-CP
- FA:BB-BN-BZ-CB-CP-NP-PB-WI

Includes:
1-Hole OF Plate,
1 OF Plate Screw,
11.5 tpi Body,
Stopper Assembly,
Adapter Bar

AP	BO	CB	WH
BB	BS	NP	WI
BN	BZ	PB	

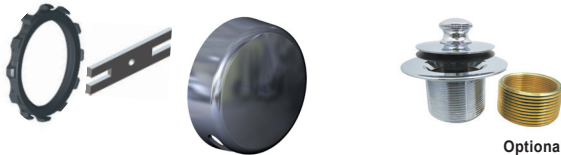
Above trim kits with 38105 bushing, converts to 2.11" O.D. - 16 tpi

- Lift and Turn 58390-CP
- PUSH PULL® 38390-CP
- PRESFLO® 38280-CP
- PF NOT in BO-BS-WH
- Foot Actuated 68390-CP
- FA:BB-BN-BZ-CB-CP-NP-PB-WI

Fits Kohler 7150 bath wastes

AP	BO	CB	WH
BB	BS	NP	WI
BN	BZ	PB	

TRIM KITS TO CONVERT OLD OVERFLOW TO WATCO'S INNOVATOR® SNAP-ON OVERFLOW PLATE



10 Per Carton

Optional #38105 Bushing

SEE PAGES 50 OR 60 FOR INSTRUCTIONS.

Convert 1- or 2-hole overflow plate to Innovator® snap-on overflow.

Thread size: 1.865" O.D. - 11.5 tpi x 1.25" depth

Flange: 2-7/8"

- Lift and Turn 91100-LT-CP
- PUSH PULL® 91100-PP-CP
- PRESFLO® 91100-PF-CP
- PF NOT in BO-BS-WH
- Foot Actuated 91100-FA-CP
- FA:BB-BN-BZ-CB-CP-NP-PB-WI

Includes:
Retainer Star Nut,
Overflow Plate,
Adapter Bar,
11.5 tpi Body,
Stopper Assembly

AP	BO	CB	WH
BB	BS	NP	WI
BN	BZ	PB	

Above trim kits with 38105 Bushing, converts to 2.11" O.D. - 16 tpi

- Lift and Turn 91105-LT-CP
- PUSH PULL® 91105-PP-CP
- PRESFLO® 91105-PF-CP
- PF NOT in BO-BS-WH
- Foot Actuated 91105-FA-CP
- FA:BB-BN-BZ-CB-CP-NP-PB-WI

Fits Kohler 7150 bath wastes.

AP	BO	CB	WH
BB	BS	NP	WI
BN	BZ	PB	

WIDE FLANGE Strainer Bodies

Thread size: 1.865" O.D. - 11.5 tpi - 1.25" depth

Flange: 3.00"

Trade designation 1-1/2" x 11.5 - Coarse Thread

- Lift and Turn 58296-CP
- PUSH PULL® 38296-CP
- Foot Actuated 68296-CP

Includes:
1-Hole OF Plate,
1 OF Plate Screw,
11.5 tpi Body with
3.00" Flange,
Stopper Assembly,
Adapter Bar

OTHER FINISH AVAILABLE: PB...

Above trim kits with 38105 bushing and WIDE FLANGE

Converts to 2.11" O.D. - 16 tpi

Flange: 3.00"

- Lift and Turn 58390W-CP
- PUSH PULL® 38390W-CP
- Foot Actuated 68390W-CP

PB
PB
PB

12-Thread (Coarse Thread)

Thread size: 1.75" O.D. - 12 tpi x 1.25" depth

Flange: 2-7/8"

- Lift and Turn 58433-CP
- PUSH PULL® 38433-CP
- Foot Actuated 68433-CP

Includes:
1-Hole OF Plate,
1 OF Plate Screw,
12 tpi Body,
Stopper Assembly,
Adapter Bar

AVAILABLE ONLY IN CHROME



Trim Kits

Patented and Patents Pending
See watcomfg.com for details.


14- & 16-Thread Bodies - Fine Thread

NOTE: For carded trim kits, place "-C" at end of item number.

Innovator® 16-Thread (Fine Thread)

For the Innovator® Plus 940/941 Series only

WITH SNAP-ON OVERFLOW PLATE



Change trim finishes on Innovator® Plus bath wastes.

Thread size: 1.625" O.D. - 16 tpi x 1.25" depth Flange: 2-7/8"
Trade designation 1-3/8" x 16 - Fine Thread

Lift and Turn	958080-CP	<i>Includes:</i>
PUSH PULL®	938080-CP	Innovator® OF Plate,
PRESFLO®	938260-CP	16 tpi Body,
PF NOT in BO-BS-WH		Stopper Assembly
Foot Actuated	968080-CP	
FA: BB-BN-BZ-CB-CP-NP-PB-WH-WI		


AP	BO	CB	WH
BB	BS	NP	WI
BN	BZ	PB	

10 Per Carton

16-Thread (Fine Thread) 1-Hole OF

Change trim finishes on 1-Hole bath wastes.

2-Hole Overflow plate, add "2H" to item number.



Thread size: 1.625" O.D. - 16 tpi x 1.25" depth Flange: 2-7/8"
Trade designation 1-3/8" x 16 - Fine Thread

Lift and Turn	58080-CP	<i>Includes:</i>
PUSH PULL®	38080-CP	1-Hole OF Plate,
PRESFLO®	38260-CP	1 OF Plate Screw,
PF NOT in BO-BS-WH		16-tpi Body,
Foot Actuated	68080-CP	Stopper Assembly,
FA: BB-BN-BZ-CB-CP-NP-PB-WH-WI		Adapter Bar

AP	BO	CB	WH
BB	BS	NP	WI
BN	BZ	PB	

Convert 1- or 2-Hole to Snap-On Overflow

Thread size: 1.625" O.D. - 16 tpi x 1.25" depth Flange: 2-7/8"

Lift and Turn	91600-LT-CP	<i>Includes:</i>
PUSH PULL®	91600-PP-CP	Retainer Star Nut,
PRESFLO®	91600-PF-CP	Overflow Plate,
PF NOT in AB-BO-BS-WH		Adapter Bar,
Foot Actuated	91600-FA-CP	16 tpi Body,
FA: BB-BN-BZ-CB-CP-NP-PB-WH-WI		Stopper Assembly

AP	BO	CB	WH
BB	BS	NP	WI
BN	BZ	PB	

10 Per Carton

Above trim kits with 38101 bushing converts to 1.865" O.D. - 11.5 tpi

Lift and Turn	58190-CP	<i>Includes:</i>
PUSH PULL®	38190-CP	1-Hole OF Plate,
PRESFLO®	38270-CP	1 OF Plate Screw,
PF NOT in BO-BS-WH		16-tpi Body,
Foot Actuated	68190-CP	Stopper Assembly,
FA: BB-BN-BZ-CB-CP-NP-PB-WH-WI		Adapter Bar,
		38101 Bushing

AP	BO	CB	WH
BB	BS	NP	WI
BN	BZ	PB	

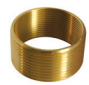
Above trim kits with 38101 bushing converts to 1.865" O.D. - 11.5 tpi

Lift and Turn	958190-CP	<i>Includes:</i>
PUSH PULL®	938190-CP	Retainer Star Nut,
PRESFLO®	938270-CP	Overflow Plate,
PF NOT in BO-BS-WH		Adapter Bar,
Foot Actuated	968190-CP	16 tpi Body,
FA: BB-BN-BZ-CB-CP-NP-PB-WH-WI		Stopper Assembly,
		38101 Bushing

AP	BO	CB	WH
BB	BS	NP	WI
BN	BZ	PB	

Bushing Body Trim Kit & #38112 Bushing

Thread size: 1.375" O.D. - 16 tpi x 1.5" depth with Flange: 2-7/8"
38112 bushing, converts to 1.625" O.D. - 14 tpi

Lift and Turn	51612-CP	
PUSH PULL®	38212-CP	

#38112 Bushing

BN	BZ	PB	WH
BO	CB		

14-Thread (Fine Thread) - 1-Hole OF

Change trim finishes on 1-Hole bath wastes.

Thread size: 1.625" O.D. - 14 tpi x 1.25" depth Flange: 2-7/8"
Trade designation 1-3/8" x 14


Lift and Turn	58490-CP	<i>Includes:</i>
PUSH PULL®	38490-CP	1-Hole OF Plate,
Foot Actuated	68490-CP	Screw, 14 tpi Body,
FA: BN-BZ-CB-CP-PB-WH		Stopper Assembly,
		Adapter Bar

BN	BZ	PB
BO	CB	WH

10 Per Carton

16-Thread: 1" body depth (Fine Thread)

Thread size: 1.625" O.D. - 16 tpi x 1" depth Flange: 2-7/8"

PUSH PULL®	38090-CP	
OTHER FINISHES: AB BO PB WH		
With 38104 bushing converts to 1.9" O.D. - 14 tpi		
PUSH PULL®	38194-CP	

Thread size: 1-11/16" O.D. - 16 tpi x 1" depth Flange: 2-7/8"
Trade designation 1-11/16"

PUSH PULL®	38420-CP	Chrome only.
------------	----------	---------------------

Pricing available on www.watcomfg.com

Trim Kits: Fine-Thread Bodies - 14 & 16 tpi

Trim Kits

NOTE: for carded trim kits, Place "-C" at end of item number.

Trip-Lever Type Kits

Dome Strainer Cover Kits

20 Per Carton

Dome Strainer Cover and Bushing Trim Kit

38101 Bushing converts to 11.5 tpi



38661-CP

1-Hole Overflow Plate, Overflow Plate Screw, Adapter Bar, Dome Strainer Cover, Strainer Cover Plate Screw, #11490CP 16-tpi trip lever strainer body, and #38101 bushing

BN	BZ	PB
BO	CB	WH
BS	NP	WI

Dome Strainer Cover and Screw

20 Per Carton

Covers existing trip-lever-type strainer body. One each of the Dome Strainer Cover and Strainer Cover Plate Screw.



18660-CP

BN	BZ	PB
BO	CB	WH
BS	NP	WI

Dome Strainer Cover and Screw, Strainer Body, NO Bushing

Coarse-Thread 11.5 tpi
Fine-Thread 16 tpi



18662-CP
18663-CP

Dome Strainer Cover, Strainer Cover Plate Screw, trip lever strainer body, NO bushing.

BN	BZ	PB
BO	CB	WH
BS	NP	WI

Dome Strainer Cover and Screw, 16-tpi Body, and Bushing

38101 Bushing converts to 11.5 tpi



18661-CP

Dome Strainer Cover, Strainer Cover Plate Screw, #11490CP 16-tpi trip lever strainer body, and the #38101 bushing.

BN	BZ	PB
BO	CB	WH
BS	NP	WI

TRIM ONLY TRIP LEVER & SLIPLOCK®

10 Per Carton

For either plastic or brass bath wastes

One trip lever faceplate assembly, two overflow plate screws, one cotter pin, one strainer body dome cover and screw.



38702-CP

BN	BZ	PB
BO	CB	WH
BS	NP	WI

LINKAGE ONLY (TRIP LEVER)

20 Per Carton

#10950 Trip Lever Quick Adjust® Clevis, #10952 TL Linkage Nut, #10953 Eye Bolt, #10954 5-1/4" Double-Loop Wire, #10930 Cotter Pin annealed, and appropriate Drop Cylinder.

38660-BRS

38660-BRS
38660-ABS
38660-PVC



TRIP LEVER WITH LINKAGE & DROP

20 Per Carton

Faceplate, Linkage, and Drop Cylinder

10770-PVC

Fits up to 16" Trip Lever models.

Trip lever faceplate assembly (QUICK ADJUST® clevis), trip lever linkage parts, 5.25" double-loop wire, and drop cylinder. NO screws included.



PLASTIC	LIST	BRASS	LIST
10770-*__-CP		10770-BRS-CP	

BN	BZ	PB
BO	CB	WH
BS	NP	WI

*Indicate if drop cylinder is ABS or PVC.

TRIP LEVER WITH LINKAGE, WIRES & DROP

12 Per Carton

Faceplate, Linkage, Drop Cylinder, Extra Double-Loop Wires



10771-PVC

Fits up to 24" Trip Lever models.

Trip lever faceplate assembly (QUICK ADJUST® clevis), Trip Lever linkage parts, standard 5.25" double-loop wire plus four additional wires, and a drop cylinder. NO screws included.

PLASTIC	LIST	BRASS	LIST
10771-*__-CP		10771-BRS-CP	

BN	BZ	PB
BO	CB	WH
BS	NP	WI

*Indicate if drop cylinder is ABS or PVC.

Pricing available on www.watcomfg.com



Trim Kits

Trip Lever • SLIP LOCK® • TURNSTYLE®

Pricing available on www.watcomfg.com


Trip Lever - Slip Lock® - Turnstyle® Trim Kits

20 Per Carton

TRIP LEVER ALL TRIM, LINKAGE & DROP

Fits up to 16" Trip Lever models.

Trip lever faceplate assembly (QUICK ADJUST® clevis), Trip Lever linkage parts, 5.25" double-loop wire, drop cylinder, overflow plate screws, and strainer cover plate and screw.



38770

PLASTIC			LIST	BRASS			LIST
38770-*___-CP				38770-BRS-CP			
BN	BZ	PB		BN	BZ	PB	
BO	CB	WH		BO	CB	WH	
BS	NP	WI		BS	NP	WI	


*Indicate if drop cylinder is ABS or PVC.

ALL TRIM, LINKAGE, DROP & EXTRA WIRES

Fits up to 24" Trip Lever models.

Trip lever faceplate assembly (QUICK ADJUST® clevis), Trip Lever linkage parts, 5.25" double-loop wire plus four additional wires, drop cylinder, overflow plate screws, and strainer cover plate and screw.

12 Per Carton




38771

PLASTIC			LIST	BRASS			LIST
38771-*___-CP				38771-BRS-CP			
BN	BZ	PB		BN	BZ	PB	
BO	CB	WH		BO	CB	WH	
BS	NP	WI		BS	NP	WI	

*Indicate if drop cylinder is ABS or PVC.


20 Per Carton

SLIP LOCK® TRIP LEVER

 **ADA**

38170

38180



Change trim finishes and linkage on SLIP LOCK® bath wastes.

NO DROP CYLINDER.

Thread size: 1.625" O.D. - 16 tpi x 1.25" depth

Flange: 2-7/8"

38170-CP

Thread size: 1.865" O.D. - 11.5 tpi x 1.25" depth


Flange: 2-7/8"

38180-CP

OTHER FINISHES AVAILABLE:	BN	BZ	NP	WH
	BO	CB	PB	WI
	BS			

20 Per Carton

39100




Same as above but NO STRAINER BODY.

39100-CP

BN	BZ	PB
BO	CB	WH
BS	NP	WI

TURNSTYLE® TRIM & LINKAGE




TURNSTYLE® Assembly only

20200-CP

For models up to 16"

20 Per Carton




39500-CP

BN	NP
BO	PB
BS	WH
BZ	WI
CB	

For models up to 24"

12 Per Carton



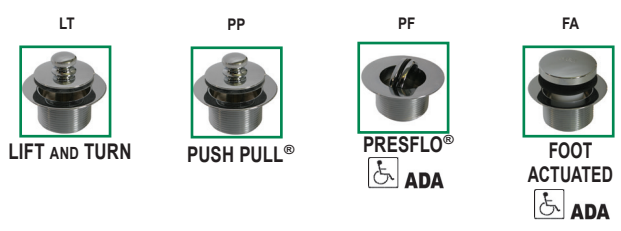
39551-CP

BN	NP
BO	PB
BS	WH
BZ	WI
CB	

Tub Closures

NOTE: For carded trim kits, place "-C" at end of item number.

Coarse-Thread Bodies



20 Per Carton

11.5 THREADS PER INCH (Coarse-Thread)

1.865" O.D. - 11.5 tpi x 1.25" depth Flange: 2-7/8"

11.5-Thread Strainer Body and Stopper Assembly
Trade designation 1-1/2" x 11.5

Lift and Turn	58305-CP
PUSH PULL®	38305-CP
PRESFLO®	38360-CP
PF NOT in BO-BS-WH	
Foot Actuated	68305-CP
FA:BB-BN-BZ-CB-CP-NP-PB-WI	

Other Finishes:

AP	BO	CB	WH
BB	BS	NP	WI
BN	BZ	PB	

WITH 38105 BUSHING Converts to 2.11" - 16

Lift and Turn	58329-CP
PUSH PULL®	38329-CP
PRESFLO®	38370-CP
PF NOT in BO-BS-WH	
Foot Actuated	68329-CP
FA:BB-BN-BZ-CB-CP-NP-PB-WI	

Other Finishes:

AP	BO	CB	WH
BB	BS	NP	WI
BN	BZ	PB	

11.5 THREADS PER INCH (Cont.)

1.865" O.D. - 11.5 tpi x 1.25" depth Flange: 2-7/8"

ABS plastic knob and stopper; trade designation 1-1/2" x 11.5

PUSH PULL® Zinc Strainer Body	38651-CP
PUSH PULL® Brass Strainer Body	38921-CP

Available only in Chrome Plated

1.865" O.D. - 11.5 tpi x 1.25" depth WIDE Flange: 3"

Wide-Flange strainer body with stopper assembly

Lift and Turn	58306-CP	PB
PUSH PULL®	38306-CP	PB
Foot Actuated	68306-CP	PB

12 THREADS PER INCH (Coarse-Thread)

1.750" O.D. - 12 tpi x 1.25" depth Flange: 2-7/8"


Lift and Turn	58333-CP
PUSH PULL®	38333-CP
Foot Actuated	68333-CP

Available only in Chrome Plated

20 Per Carton

Replacement Stoppers

LIFT AND TURN - 3/8" PIN ONLY

	Standard Length	38810-CP		
	Other Finishes Available:			
	AP	BO	CB	WH
	BB	BS	NP	WI
	BN	BZ	PB	
Brass knob and stopper	NuFit; short pin	38812-CP		
	BN	BZ	PB	


FOOT ACTUATED - 3/8" OR 5/16" PIN

	3/8" Pin	38412-CP		
	Other Finishes Available:			
	BN	CB	PB	WI
	BZ	NP	WH	
ABS Plastic	5/16" Pin	38410-CP		
Replacement Seal		11519		

PUSH PULL® - WITH 3/8" & 5/16" PINS

	Brass Knob/Stopper	38516-CP		
	Other Finishes Available:			
	AP	BO	CB	WH
	BB	BS	NP	WI
	BN	BZ	PB	
#38516-CP	ABS Knob/Stopper	38530-CP		
Brass knob and stopper	Available only in Chrome			

PUSH PULL® - WITH ONE PIN

	3/8" Pin: Brass Knob/Stopper	38610-CP		
	5/16" Pin: Brass Knob/Stopper	38710-CP		
	1/4" Pin: Brass Knob/Stopper	38540-CP		
	Other Finishes Available:			
	AP	BO	CB	WH
	BB	BS	NP	WI
	BN	BZ	PB	
#38610- #38710- #38540-	Brass knob and stopper	3/8" Pin: ABS Knob/Stopper	38520-CP	
	Universal NuFit® PP Replacement Stopper:			
	See pages 45 or 47			

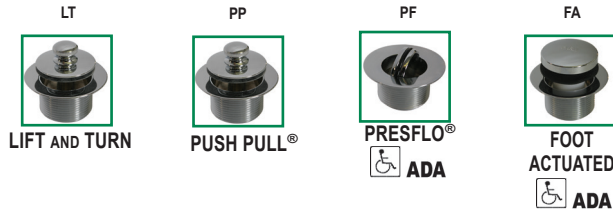
Pricing available on www.watcomfg.com



Tub Closures

NOTE: For carded trim kits, place "-C" at end of item number.

Fine-Thread Bodies



20 Per Carton

Tub Closures with Adapter Bushings also available. (Page 58-59)

14 THREADS PER INCH (Fine-Thread)

1.625" O.D. - 14 tpi x 1.25" depth Flange: 2-7/8"

Stopper assembly and 14-tpi Strainer Body
Trade designation 1-3/8" x 14

Lift and Turn	58309-CP
PUSH PULL®	38309-CP
Foot Actuated	68309-CP
FA: BN-BZ-CB-CP-PB	

Other Finishes:	BN	BZ	PB
	BO	CB	WH

1.625" O.D. - 14 tpi x 1.25" depth WIDE Flange: 3.0"

Stopper Assembly and 14-tpi, Wide-Flange Strainer Body

Lift and Turn	58308-CP	PB
PUSH PULL®	38308-CP	PB
Foot Actuated	68308-CP	PB

16 THREADS PER INCH (Fine-Thread)

1.625" O.D. - 16 tpi x 1.0" depth Flange: 2-7/8"

PUSH PULL® Body Depth: 1"

Tub Closure without bushing	38325-CP
With 38101 bushing: to 1.865" O.D. x 11.5	38312-CP
With 38102 bushing: to 1.8" O.D. x 14	38313-CP

Other Finishes:	BO	PB	WH
-----------------	----	----	----

1.625" O.D. - 16 tpi x 1.25" depth WIDE Flange: 3.0"

Stopper Assembly and 16-tpi, Wide-Flange Strainer Body

Lift and Turn	58307-CP	PB
PUSH PULL®	38307-CP	PB
Foot Actuated	68307-CP	PB

1.375" O.D. - 16 tpi x 1.50" depth Flange: 2-7/8"

Bushing Strainer Body and Stopper Assembly
Trade designation 1-3/8" x 16 (See page 56 for adapter bushings.)

Lift and Turn	58220-CP
PUSH PULL®	38220-CP

Other Finishes:	BN	BZ	PB
	BO	CB	WH

16 THREADS PER INCH (Cont.)

1.625" O.D. - 16 tpi x 1.25" depth Flange: 2-7/8"

Stopper assembly and 16-tpi Strainer Body
Trade designation 1-3/8" x 16

Lift and Turn	58301-CP
PUSH PULL®	38301-CP
PRESFLO®	38380-CP
PF NOT in BO-BS-WH	
Foot Actuated	68301-CP
FA: BB-BN-BZ-CB-CP-NP-PB-WI	

Other Finishes:	AP	BO	CB	WH
	BB	BS	NP	WI
	BN	BZ	PB	

WITH 38101 BUSHING Converts to 1.865" - 11.5

Lift and Turn	58319-CP
PUSH PULL®	38319-CP
PRESFLO®	38219-CP
PF NOT in BO-BS-WH	
Foot Actuated	68319-CP
FA: BB-BN-BZ-CB-CP-NP-PB-WI	

Other Finishes:	AP	BO	CB	WH
	BB	BS	NP	WI
	BN	BZ	PB	

WITH 38102 BUSHING Converts to 1.8" - 14

Lift and Turn	58350-CP
PRESFLO®	38350-CP
PF NOT in BO-BS-WH	

Other Finishes:	AP	BO	CB	WH
	BB	BS	NP	WI
	BN	BZ	PB	

WITH 38103 BUSHING Converts to 1.802" - 16

Lift and Turn	58321-CP
PUSH PULL®	38321-CP
PRESFLO®	38385-CP
PF NOT in BO-BS-WH	
Foot Actuated	68321-CP
FA: BB-BN-BZ-CB-CP-NP-PB-WI	

Other Finishes:	AP	BO	CB	WH
	BB	BS	NP	WI
	BN	BZ	PB	

WITH 38104 BUSHING Converts to 1.9" - 14

Lift and Turn	58317-CP
PUSH PULL®	38317-CP
PRESFLO®	38375-CP
PF NOT in BO-BS-WH	
Foot Actuated	68317-CP
FA: BB-BN-BZ-CB-CP-PB-WI	

Other Finishes:	AP	BO	CB	WH
	BB	BS	NP	WI
	BN	BZ	PB	

Pricing available on www.watcomfg.com

Tub Closures: Fine-Thread Bodies - 14 & 16 tpi

Faceplate Kits

NOTE: For carded trim kits, place "-C" at end of item number.

1-Hole Faceplate Kits



Includes one #01002 faceplate and one #01024 faceplate screw.

- Faceplate Diameter - 3 3/8"

18001-CP

AP	BO	CB	WH
BB	BS	NP	WI
BN	BZ	PB	

10 Per Carton

Same Kit but with Adapter Bar



Includes one #01002 faceplate, one #01024 faceplate screw, and one #11641 adapter bar.

- Faceplate Diameter - 3 3/8"

18003-CP

AP	BO	CB	WH
BB	BS	NP	WI
BN	BZ	PB	

10 Per Carton

2-Hole Faceplate Kits



Includes one #01003 faceplate and two #01024 faceplate screws.

- Faceplate Diameter - 3 3/8"

18002-CP

AP	BO	CB	WH
BB	BS	NP	WI
BN	BZ	PB	

10 Per Carton

Innovator® Faceplate Kits



Converts 1-or 2-hole faceplate to the Innovator® faceplate. Includes faceplate, retainer star nut, and adapter bar.

- Faceplate Diameter - 3 1/8"

18009-CP

AP	BO	CB	WH
BB	BS	NP	WI
BN	BZ	PB	

10 Per Carton

See below for conversion instructions.

Trip Lever Faceplate Kits



Includes one #10700 trip lever faceplate assembly, two #01024 faceplate screws, and one #10930 cotter pin.

- Faceplate Diameter - 3 1/8"

18702-CP

BB	27.05	BS	NP	WH
BN		BZ	PB	WI
BO		CB		

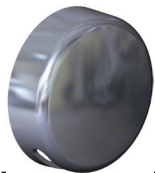
10 Per Carton

Square innovator Faceplate kit:



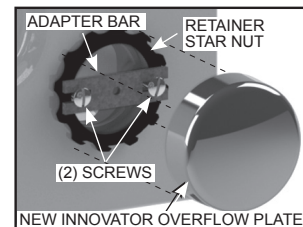
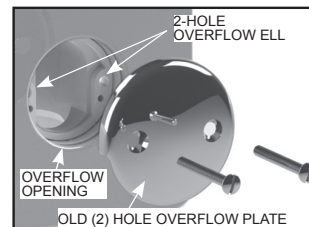
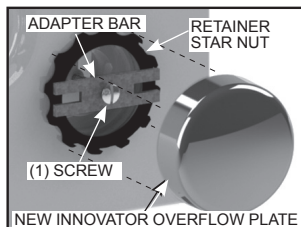
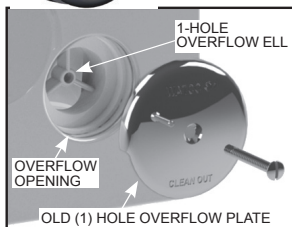
To Order: 18008-(finish)
Example: 18008-WI = Square innovator Faceplate Kit in Wrought Iron Finish

Finish List	CP	BN	BZ	WI (Matte Black)
	18.35	36.15	46.75	49.90



With Overflow Plate Kit #18009 (above), convert an existing 1-hole or 2-hole faceplate to the Innovator® snap-on faceplate.

INSTRUCTIONS FOR CONVERTING AN EXISTING 1-HOLE OR 2-HOLE OVERFLOW PLATE TO A NEW WATCO SNAP-ON INNOVATOR® OVERFLOW PLATE



1. Remove old 1-hole Overflow Plate. Save old screw and re-use.
2. Thread screw all the way into the Adapter Bar.
3. Center and hold the Retainer Star Nut, with prongs pointing out, onto the overflow opening.
4. Thread the screw, with adapter bar, into the Overflow Ell screw hole.
5. Snug the Adapter Bar up to the Retainer Star Nut. **DO NOT OVER TIGHTEN.**
6. Snap on the new Innovator Overflow Plate with the overflow opening facing down.

1. Remove old 2-hole Overflow Plate. Save old screws and re-use.
2. Center and hold the Retainer Star Nut, with prongs pointing out, and Adapter Bar onto overflow opening in position shown.
3. Pass the 2 screws through the end slots of the Adapter Bar and thread into the Overflow Ell screw holes.
4. Snug the Adapter Bar up to the Retainer Star Nut. **DO NOT OVER TIGHTEN.**
5. Snap on the new Innovator Overflow Plate with the overflow opening facing down.

©2013 Watco Manufacturing Co. 1220 South Powell Road, Independence, MO 64057 816.796.3900 www.watcomfg.com



18900 0613



Parts

Bushing Adapters & Accessories

Bushing Adapters & Accessories

Pricing available on www.watcomfg.com

BRASS ADAPTER BUSHINGS



38100BUSH
Bushing Display Board
with Bushings #38101 - #38116

PROD#	COLOR	CONVERTS: O.D. Body Threads to O.D. Bushing Threads
38101	Green	converts from 1.625" - 16 to 1.865" - 11.5
38102	Blue	converts from 1.625" - 16 to 1.8" - 14
38103	Red	converts from 1.625" - 16 to 1.802" - 16
38104	Orange	converts from 1.625" - 16 to 1.9" - 14
38105	Purple	converts from 1.865" - 11.5 to 2.11" - 16
38106	Pink	converts from 1.865" - 11.5 to 2.35" - 11.5
38107	Lt Blue	converts from 1.625" - 16 to 1.735" - 16
38108	Lt Green	converts from 1.625" - 16 to 1.865" - 16 (.5" Height)
38109	Brown	converts from 1.625" - 16 to 1.75" - 12
38110	Silver	converts from 1.625" - 16 to 1.865" - 14
38111*	White	converts from 1.375" - 16 to 1.625" - 16
38112*	Yellow	converts from 1.375" - 16 to 1.625" - 14
38113*	Black & White	converts from 1.375" - 16 to 1.813" - 14
38114*	Black	converts from 1.375" - 16 to 1.75" - 12
38115	Red & Blue	converts from 1.865" - 11.5 to 2.00" - 16
38116*	Orange & Purple	converts from 1.375" - 16 to 1.6615" - 18

* Fits the 01033__ bushing strainer body on page 31-37

11114



11577



11587

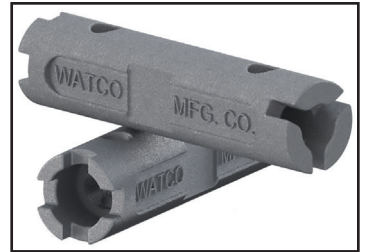


11594

11577



Test Cap and Test Plugs	Part #	List
Test Cap for Innovator® Schedule 40 series	11114	
Green Test Plug with "O"-Ring-Type Washer	11577	
3/8" Test Plug, metal threads	11587	
Test Kit for 600 Series bath wastes, plastic	11565	
Includes one #11577 and one #11594 test plug (listed individually below).		
1/4" Test Plug	11594	
3/8" Test Plug	11577	



10121

Strainer Body Removal Tool

Fits standard strainer bodies and the Innovator® Drain crossbars.



11111-set

Color Sample Set

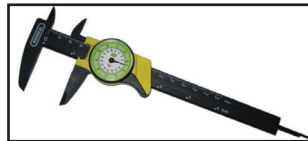
SCHEDULE 40 CONDENSATE ADAPTER



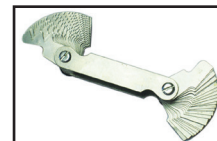
SCH40CD-ABS
SCH40CD-PVC

To include adapter with bath waste, add "-CD" to part number.
Example: 900-FA-PVC-BN-CD

STRAINER BODY MEASURING KIT



11573
6" DIAL CALIPER (4-Way Measure)



11574
thread-gauge Set

11579
Set of both the
#11573 and #11574

Spec Sheets

Innovator® Testable Cable

Innovator CableFlex® • Innovator Cable®

970/980/990-CA

928/938/948-CA

(Same as 970/980/990 except Part #14 is flexible tubing.)

928-CA (Tubs up to 16" deep):

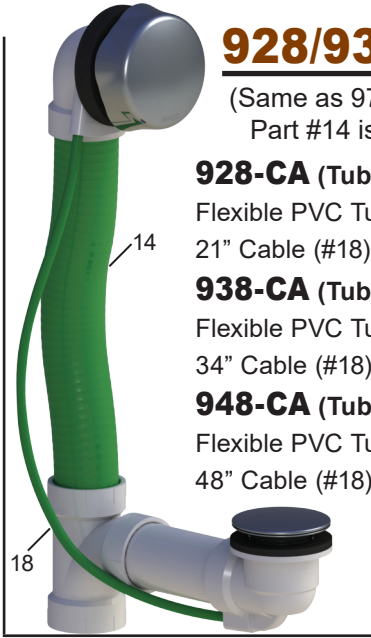
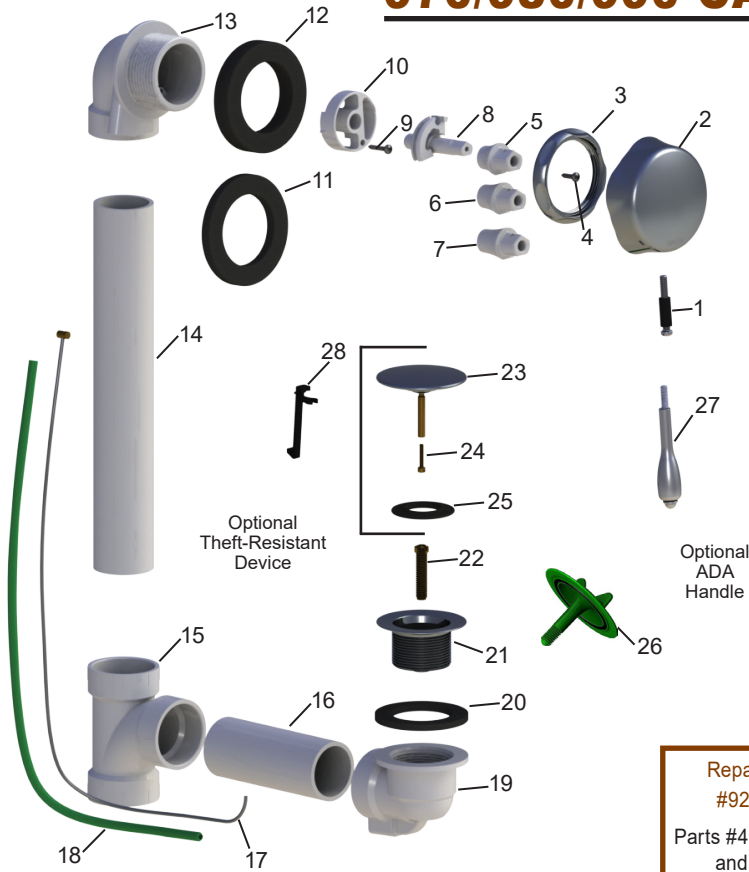
Flexible PVC Tubing: 1.5" x 11.75"
21" Cable (#18)

938-CA (Tubs up to 24" deep):

Flexible PVC Tubing: 1.5" x 20.25"
34" Cable (#18)

948-CA (Tubs up to 36" deep):

Flexible PVC Tubing: 1.5" x 32.0"
48" Cable (#18)



Innovator Cable® Half Kits:

971/981/991-CA

Parts #1 thru #13 and #17 thru #27

Optional Features:

- #27 92874-__*.ADA Handle
- #28 01076Theft-Resistant Device

Repair Kit #92900
Parts #4 thru #10 and #17

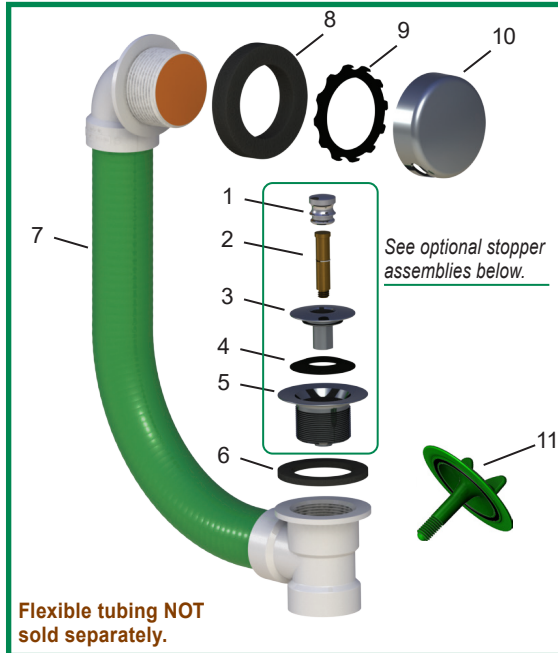
ITEM	PART#	DESCRIPTION	ITEM	PART#	DESCRIPTION
1	01032__*	Cable Faceplate Screw, 1/4-20x1-3/4 with Screw Guide #01081	15	14011	1-1/2" Schedule 40 Sanitary Tee, ABS.
2	01019__*	Cable Faceplate		14010	1-1/2" Schedule 40 Sanitary Tee, PVC.
3	01047__*	Cable Overflow Elbow Retainer Nut		970:	SCHABS-4.625.Sch 40 Pipe, ABS, 1.5" x 4.625"
4	01037	Cable Adapter/Drive Shaft Screw, #8x5/8		970:	SCHPVC-4.625 Sch 40 Pipe, PVC, 1.5" x 4.625"
5	01071	Cable Faceplate Adapter - Thin	16	980:	SCHABS-11.75 Sch 40 Pipe, ABS, 1.5" x 11.75"
6	01072	Cable Faceplate Adapter - Medium		980:	SCHPVC-11.75 Sch 40 Pipe, PVC, 1.5" x 11.75"
7	01073	Cable Faceplate Adapter - Thick		990:	SCHABS-11.75 Sch 40 Pipe, ABS, 1.5" x 11.75"
8	20145	Cable Drive Shaft		990:	SCHPVC-11.75 Sch 40 Pipe, PVC, 1.5" x 11.75"
9	01036	Cable Retainer/Overflow Ell Screw #8x7/8	17	20151-54	Cable Core.
10	20146	Cable Retainer	18	20161	Cable Conduit.
11	10694	Overflow Elbow Gasket Half Height		11016	1-1/2" Schedule 40 Cable Drain Elbow, ABS.
12	10675	Overflow Elbow Gasket	19	14016	1-1/2" Schedule 40 Cable Drain Elbow, PVC.
13	11029	1-1/2" Schedule 40 Cable OF Elbow, ABS	20	10696	Drain Elbow Gasket.
	14029	1-1/2" Schedule 40 Cable OF Elbow, PVC	21	01016__*	Strainer Body, Brass, 1.865" - 11.5x1.25".
		970: SCHABS-11.75 Sch 40 Pipe, ABS, 15" x 11.75"	22	20147	Cable Core Guide
		970: SCHPVC-11.75 Sch 40 Pipe, PVC, 15" x 11.75"	23	92867-__*	Cable Stopper Assembly – includes:
		980: SCHABS-20.25 Sch 40 Pipe, ABS, 15" x 20.25"	24	20069	Stopper Adjusting Screw
14		980: SCHPVC-20.25 Sch 40 Pipe, PVC, 15" x 20.25"	25	11526	Cable Stopper Seal, 1-1/16" .
		990: SCHABS-32 Sch 40 Pipe, ABS, 15" x 32.00"	26	11577	Test Plug with O-Ring-Type Gasket
		990: SCHPVC-32 Sch 40 Pipe, PVC, 15" x 32.00"		OPTIONAL:	
			27	92874-__*	ADA Handle and Handle Set Screw.
			28	01076	Cable Theft-Resistant Device

* CP s shown please indicate desired finish when ordering.

Pricing available on www.watcomfg.com



WatcoFlex® PP Parts List (Flexible; Coarse Thread)

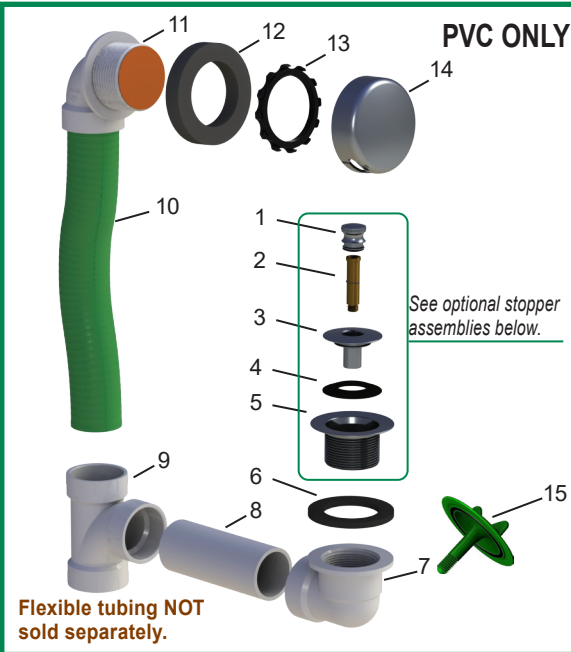


1	01010CP	Knob, Brass
2	11584	PP 3/8" Pin (11508) and Friction Ring (11504)
3	01013CP	Stopper, Brass
4	11507	Stopper Seal, 1-1/16" dia.
5	01016CP	Strainer Body, Brass, 1.865"-11.5 x 1.25"
6	10696	Drain Ell Gasket, 1.90" I.D., 2.75" O.D., gray
	11027	Direct Drain Tee, 11.5 tpi, Sch. 40 ABS
	11020	Innovator® Overflow Elbow, Sch. 40 ABS
7	OR	
	14027	Direct Drain Tee, 11.5 tpi, Sch. 40 PVC
	14020	Innovator® Overflow Elbow, Sch. 40 PVC
8	10675	Overflow Elbow Gasket, 2-1/4 I.D., 3-1/2 O.D., 5/8" Foam
9	11121	Retainer Star Nut
10	01004CP	Faceplate for Innovator®
11	11577	Test Plug with O-Ring-type Gasket

Flexible tubing NOT sold separately.

Pricing available on www.watcomfg.com

Flex916/924 Innovator® PP Parts List (Flexible; Coarse Thread)



1	01010CP	Knob, Brass
2	11584	PP 3/8" Pin (11508) and Friction Ring (11504)
3	01013CP	Stopper, Brass
4	11507	Stopper Seal, 1-1/16" dia.
5	01016CP	Strainer Body, Brass, 1.865"-11.5 x 1.25"
6	10696	Drain Ell Gasket, 1.90" I.D., 2.75" O.D., gray
7	14008	Drain Elbow, 11.5 tpi, Schedule 40, PVC
8	SCHPVC-4.625	
9	14010	Sanitary Tee, Schedule 40, PVC
10		Flex916: Flexible Tubing, 1.5" x 16.0" Flex924: Flexible Tubing, 1.5" x 24.0"
		#10 FACTORY-WELDED TO #11:
11	14020	Innovator® Overflow Ell, Schedule 40, PVC
12	10675	Overflow Elbow Gasket, 2-1/4 I.D., 3-1/2 O.D., 5/8" Foam
13	11121	Retainer Star Nut
14	01005CP	Faceplate for Innovator®
15	11577	Test Plug with O-Ring-type Gasket

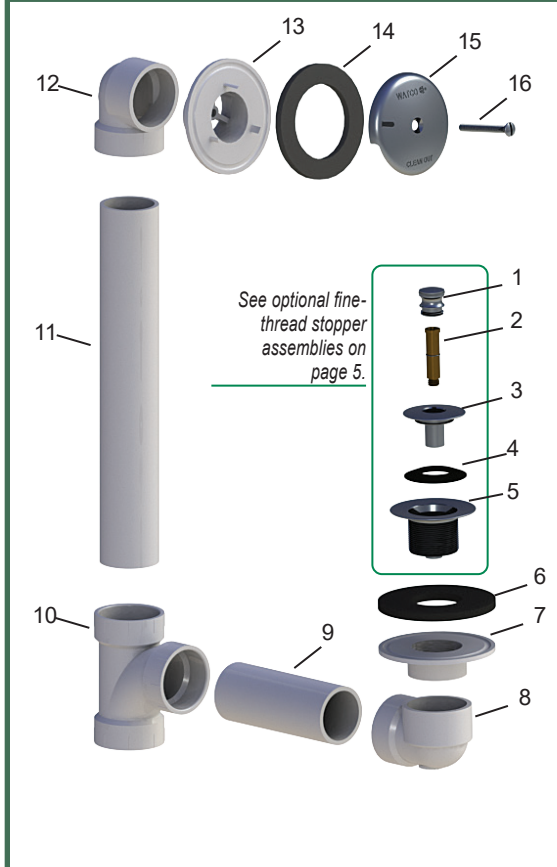
Flexible tubing NOT sold separately.

OPTIONAL TUB CLOSURES FOR COARSE-THREAD BATH WASTES (FINE-THREAD ON PAGE 5)

PUSH PULL® Coarse Thread	LIFT & TURN Coarse Thread	PRESFLO® Coarse Thread	FOOT ACTUATED Coarse Thread
<ol style="list-style-type: none"> 01010CP 01010__* 11584 01013CP 01013__* 11507 01016CP 01016__* 	<ol style="list-style-type: none"> 01010CP 01010__* 11079 11088 11290CP 11507 11492CP 01016__* 	<ol style="list-style-type: none"> 11145CP 11145__* 11132 11060CP 11060__* 96039: Suction Cup for removing stopper 	<ol style="list-style-type: none"> 38412CP 38412__* 11492CP 01016__*

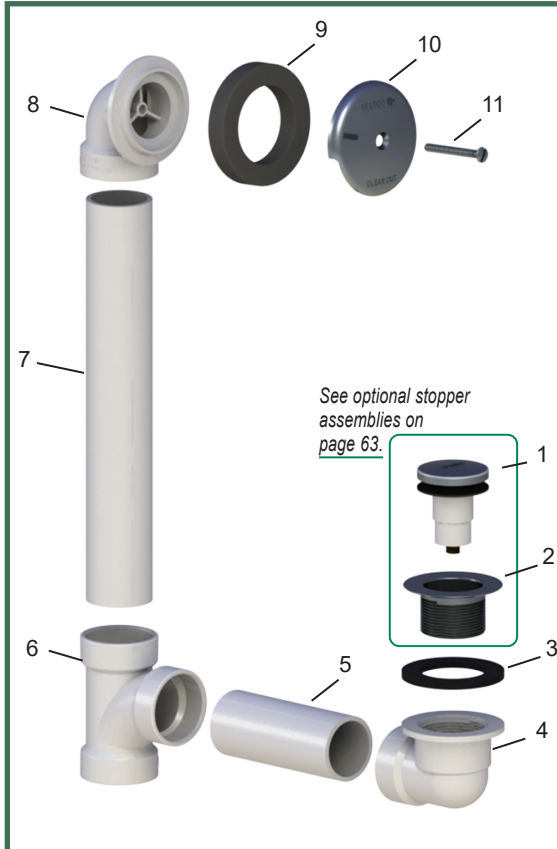
* Please indicate desired finish when ordering.

400-PP Parts List (Schedule 40; Fine Thread)



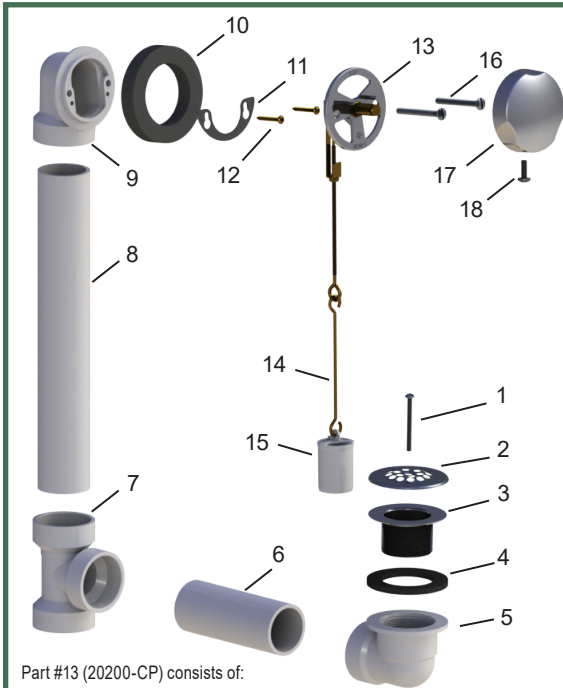
1	01010CP	Knob, Brass
2	11584	PP 3/8" Pin (11508) and Friction Ring (11504)
3	01013CP	Stopper, Brass
4	11507	Stopper Seal, 1-1/16" dia.
5	01022CP	Strainer Body, Brass, 1.625" - 16 - 1.25"
6	10693	Drain Flange Gasket, Perfect Fit®
7	11022	Drain Flange, Perfect Fit®, ABS
	14022	Drain Flange, Perfect Fit®, PVC
8	11023	Drain/Overflow Elbow, Perfect Fit®, ABS
	14023	Drain/Overflow Elbow, Perfect Fit®, PVC
9	SCHABS-4.625	Pipe, Schedule 40 ABS, 1.5" x 4.625"
	SCHPVC-4.625	Pipe, Schedule 40 PVC, 1.5" x 4.625"
10	14011	Sanitary Tee, Schedule 40 ABS
	14010	Sanitary Tee, Schedule 40 PVC
	SCHABS-11.75	Pipe, Schedule 40 ABS, 1.5" x 11.75"
	SCHPVC-11.75	Pipe, Schedule 40 PVC, 1.5" x 11.75"
11	11023	Drain/Overflow Elbow, Perfect Fit®, ABS
	14023	Drain/Overflow Elbow, Perfect Fit®, PVC
12	11021	Overflow Flange, Perfect Fit®, ABS
	14021	Overflow Flange, Perfect Fit®, PVC
13	10694	Overflow Flange Gasket, Perfect Fit®
14	01002CP	1-Hole Faceplate, Metal
15	01024CP	Faceplate Screw, 2.25"
16	01024CP	Faceplate Screw, 2.25"

600-FA Parts List (Schedule 40; Coarse Thread)



1	38412CP	Foot Actuated Stopper, 3/8" pin, ABS plastic
	11492CP	Strainer Body, Zinc, 1.865"-11.5 x 1.25"
2	01016CP	Strainer Body, Brass, 1.865"-11.5 x 1.25"
3	10696	Drain Ell Gasket, 1.90" I.D., 2.75" O.D., gray
	11008	Drain Ell, Schedule 40 ABS
4	14008	Drain Elbow, 11.5 tpi, Schedule 40, PVC
	SCHABS-4.625	Pipe, Schedule 40 ABS, 1.5" x 4.625"
	SCHPVC-4.625	Pipe, Schedule 40 PVC, 1.5" x 4.625"
5	14011	Sanitary Tee, Schedule 40 ABS
	14010	Sanitary Tee, Schedule 40 PVC
6	SCHABS-11.75	Pipe, Schedule 40 ABS, 1.5" x 11.75"
	SCHPVC-11.75	Pipe, Schedule 40 PVC, 1.5" x 11.75"
7	11009	1-Hole Overflow Ell, Schedule 40 ABS
	14009	1-Hole Overflow Ell, Schedule 40 PVC
8	10675	Overflow Elbow Gasket, 2-1/4 I.D., 3-1/2 O.D., 5/8" Foam
9	01002CP	1-Hole Faceplate, Brass
10	01024CP	Faceplate Screw, 2.25"
11	01024CP	Faceplate Screw, 2.25"

600-TS Parts List (Schedule 40; Coarse Thread)



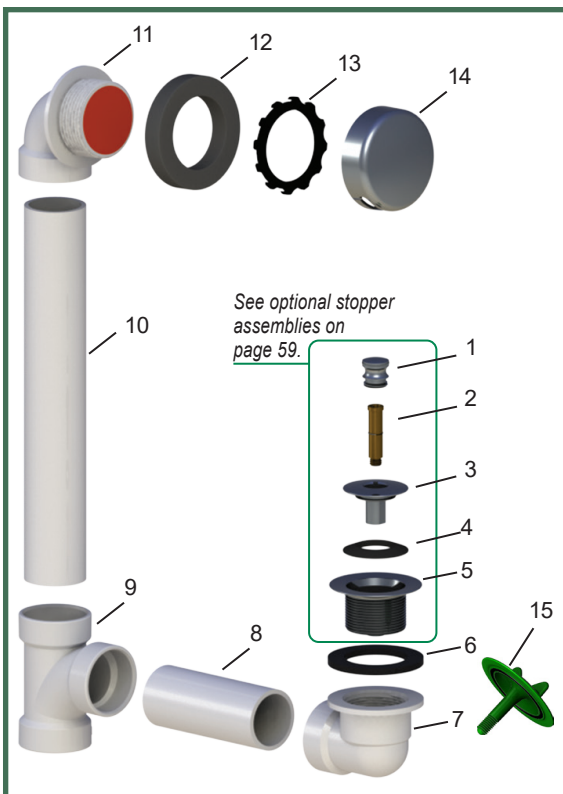
Part #13 (20200-CP) consists of:
 10920 TL Clevis for TS
 10932 TS Brass Hex Nut 6-32
 10934 TS SS Mach. Screw 6-32
 10952 TL Linkage Nut
 10953 Top Linkage Eye Bolt
 20020CP TS OF Mount w/Prongs
 20041 TS Turning Pin
 20042 TS Turning Pin Sleeve
 20043 Cable Stop

20200-CP
 See page 53.

1	01040CP	Strainer Cover Plate Screw
2	01006CP	Strainer Cover Plate
3	11495CP	Strainer Body, Metal, 1.865" - 11.5 - 1.25"
4	10696	Drain Ell Gasket, 1.90" I.D., 2.75" O.D., gray
5	11008	Drain Ell, Schedule 40, ABS
	14008	Drain Elbow, 11.5 tpi, Schedule 40, PVC
6	SCHABS-4.625	Pipe, Schedule 40 ABS, 1.5" x 4.625"
	SCHPVC-4.625	Pipe, Schedule 40 PVC, 1.5" x 4.625"
7	11017	Tee with Seat, Schedule 40 ABS
	14017	Tee with Seat, Schedule 40 PVC
8	SCHABS-12	Pipe, Schedule 40 ABS, 1.5" x 12.0"
	SCHPVC-12	Pipe, Schedule 40 PVC, 1.5" x 12.0"
9	10096	2-Hole Overflow Ell, Schedule 40, ABS
	10098	2-Hole Overflow Ell, Schedule 40, PVC
10	10675	Overflow Elbow Gasket, 2-1/4 I.D., 3-1/2 O.D., 5/8" Foam
11	11531	Retainer Plate for Schedule 40
12	11540	Retainer Plate Screw
13	20200-CP	TURNSTYLE® Assembly
14	10954	5.25" Double-Loop Wire
15	11005	Drop Cylinder, ABS
	14005	Drop Cylinder, PVC
16	01024CP	Overflow Plate Screw, 2.25"
17	20030CP	Cable Faceplate, Brass
18	20140	Cable Faceplate Locking Screw

Pricing available on www.watcomfg.com

900-PP Parts List (Schedule 40; Coarse Thread)



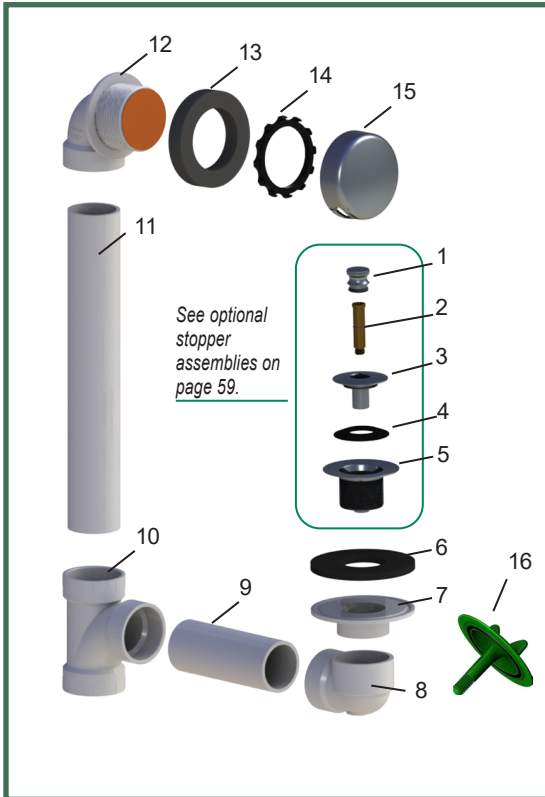
See optional stopper
 assemblies on
 page 59.

1	01010CP	Knob, Brass
2	11584	PP 3/8" Pin (11508) and Friction Ring (11504)
3	01013CP	Stopper, Brass
4	11507	Stopper Seal, 1-1/16" dia.
5	01016CP	Strainer Body, Brass, 1.865"-11.5 x 1.25"
6	10696	Drain Ell Gasket, 1.90" I.D., 2.75" O.D., gray
7	11008	Drain Ell, Schedule 40, ABS
	14008	Drain Elbow, 11.5 tpi, Schedule 40, PVC
8	SCHABS-4.625	Pipe, Schedule 40 ABS, 1.5" x 4.625"
	SCHPVC-4.625	Pipe, Schedule 40 PVC, 1.5" x 4.625"
9	14011	Sanitary Tee, Schedule 40, ABS
	14010	Sanitary Tee, Schedule 40, PVC
10	SCHABS-11.75	Pipe, Schedule 40, ABS, 1.5" x 11.75"
	SCHPVC-11.75	Pipe, Schedule 40, PVC, 1.5" x 11.75"
11	11020	Innovator® Overflow Ell, Schedule 40, ABS
	14020	Innovator® Overflow Ell, Schedule 40, PVC
12	10675	Overflow Elbow Gasket, 2-1/4 I.D., 3-1/2 O.D., 5/8" Foam
13	11121	Retainer Star Nut
14	01005CP	Faceplate for Innovator®
15	11577	Test Plug w/O-Ring-type Gasket

Spec Sheets

Schedule 40

940-PP Parts List (Schedule 40; Fine Thread)

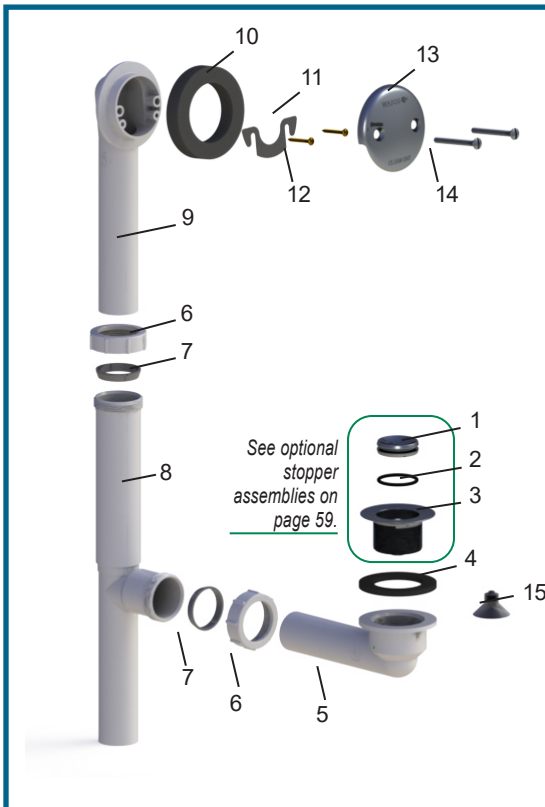


1	01010CP	Knob, Brass
2	11584	PP 3/8" Pin (11508) and Friction Ring (11504)
3	01013CP	Stopper, Brass
4	11507	Stopper Seal, 1-1/16" dia.
5	01022CP	Strainer Body, Brass, 1.625" - 16 - 1.25"
6	10693	Drain Flange Gasket, Perfect Fit®
7	11022	Drain Flange, Perfect Fit®, ABS
	14022	Drain Flange, Perfect Fit®, PVC
8	11023	Drain/Overflow Elbow, Perfect Fit®, ABS
	14023	Drain/Overflow Elbow, Perfect Fit®, PVC
9	SCHABS-4.625	Pipe, Schedule 40 ABS, 1.5" x 4.625"
	SCHPVC-4.625	Pipe, Schedule 40 PVC, 1.5" x 4.625"
10	14011	Sanitary Tee, Schedule 40 ABS
	14010	Sanitary Tee, Schedule 40 PVC
11	SCHABS-11.75	Pipe, Schedule 40 ABS, 1.5" x 11.75"
	SCHPVC-11.75	Pipe, Schedule 40 PVC, 1.5" x 11.75"
12	11020	Innovator® Overflow Ell, Schedule 40 ABS
	14020	Innovator® Overflow Ell, Schedule 40 PVC
13	10675	Overflow Elbow Gasket, 2-1/4 I.D., 3-1/2 O.D., 5/8"
14	11121	Retainer Star Nut
15	01005CP	Faceplate for Innovator®
16	11577	Test Plug w/O-Ring-type Gasket

Spec Sheets

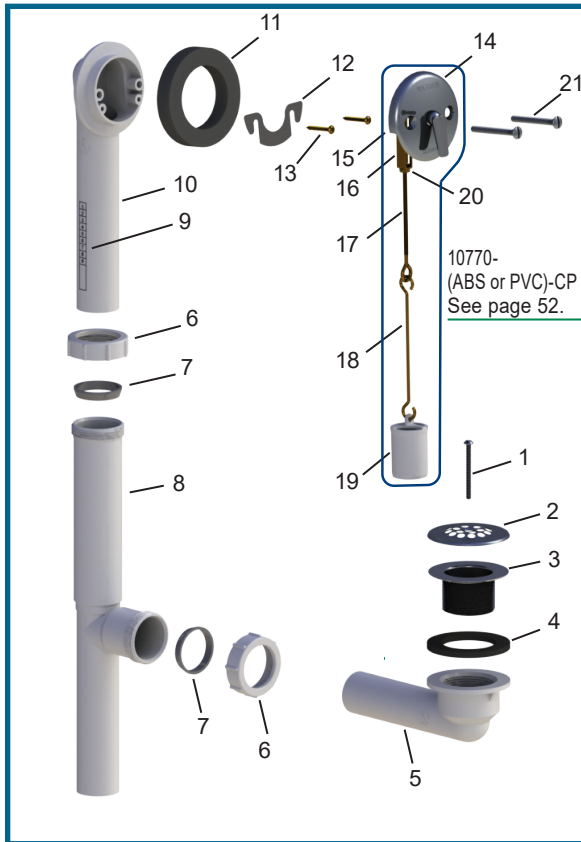
Tubular Plastic

500-PF Parts List (Tubular Plastic; Coarse Thread)



1	11145CP	PF Stopper, Plastic, CT
2	11132	O-Ring, PresFlo® Seal, CT
3	11060CP	Strainer Body, Brass, 1.865"-11.5 x 1.25"
4	10696	Drain Ell Gasket, 1.90" I.D., 2.75" O.D., gray
5	11028	Drain Ell, Coarse-Thread Tubular, ABS
	14028	Drain Ell, Coarse-Thread Tubular, PVC
6	11580	Slip Joint Nut, ABS
	11581	Slip Joint Nut, PVC
7	11583	Slip Joint Polywasher
8	11000	Tee, Tubular ABS
	14000	Tee, Tubular PVC
9	11003	Overflow Ell, Tubular ABS
	14003	Overflow Ell, Tubular PVC
10	10675	Overflow Elbow Gasket, 2-1/4 I.D., 3-1/2 O.D., 5/8" Foam
11	11530	Retainer Plate
12	11540	Retainer Plate Screw
13	01003CP	2-Hole Faceplate, Metal
14	01024CP	Faceplate Screw, 2.25"
15	96039	Suction Cup for removing stopper

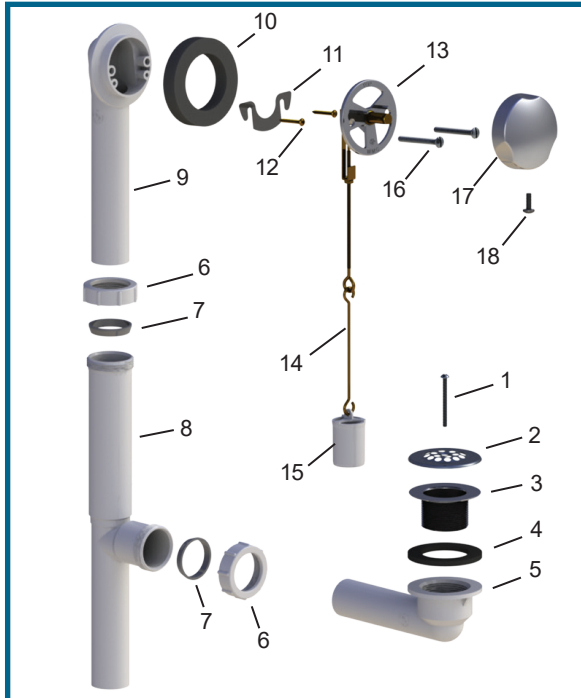
500-TQ Parts List (Tubular Plastic; Coarse Thread)



1	01040CP	Strainer Cover Plate Screw
2	01006CP	Strainer Cover Plate
3	11495CP	Strainer Body, Zinc, 1.865" - 11.5 - 1.25"
4	10696	Drain Ell Gasket, 1.90" I.D., 2.75" O.D., gray
5	11028	Drain Ell, Coarse-Thread Tubular, ABS
	14028	Drain Ell, Coarse-Thread Tubular, PVC
6	11580	Slip Joint Nut, ABS
	11581	Slip Joint Nut, PVC
7	11583	Slip Joint Polywasher
8	11000	Tee, Tubular ABS
	14000	Tee, Tubular PVC
9	N/A	QUICK ADJUST® Label
10	11003	Overflow Ell, Tubular ABS
	14003	Overflow Ell, Tubular PVC
11	10675	Overflow Elbow Gasket, 2-1/4 I.D., 3-1/2 O.D., 5/8" Foam
12	11530	Retainer Plate
13	11540	Retainer Plate Screw
14	10700CP	Trip Lever Faceplate Assembly
15	10930	Cotter Pin
16	10950	Trip Lever Quick Adjust® "Q" Clevis
17	10953	Top Linkage Eye BoLT
18	10954	5.25" Double-Loop Wire
19	11005	Drop Cylinder, ABS
	14005	Drop Cylinder, PVC
20	10952	Trip Lever Linkage Nut
21	01024CP	Screw, Overflow Plate, 2.25"

Pricing available on www.watcomfg.com

500-TS Parts List (Tubular Plastic; Coarse Thread)



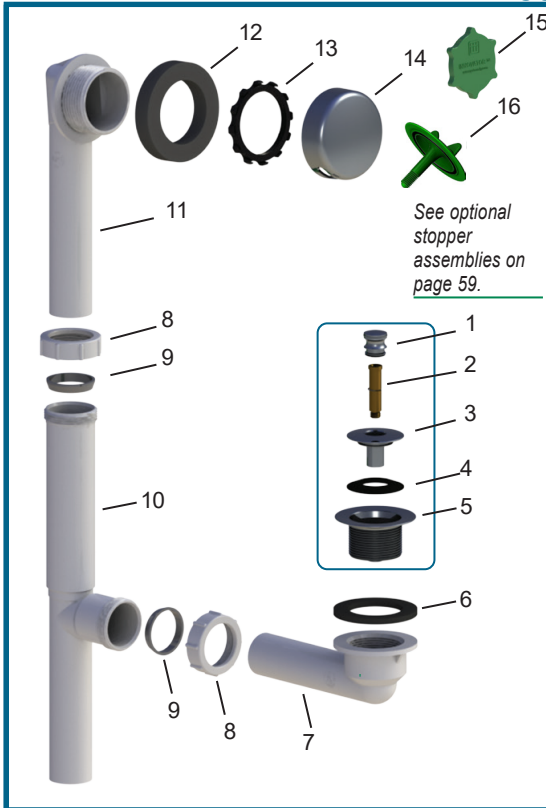
1	01040CP	Strainer Plate Screw
2	01006CP	Strainer Cover Plate
3	11495CP	Strainer Body, Zinc, 1.865" - 11.5 - 1.25"
4	10696	Drain Ell Gasket, 1.90" I.D., 2.75" O.D., gray
5	11028	Drain Ell, Coarse-Thread Tubular, ABS
	14028	Drain Ell, Coarse-Thread Tubular, PVC
6	11580	Slip Joint Nut, ABS
	11581	Slip Joint Nut, PVC
7	11583	Slip Joint Polywasher
8	11000	Tee, Tubular, ABS
	14000	Tee, Tubular, PVC
9	11003	Overflow Ell, Tubular, ABS
	14003	Overflow Ell, Tubular, PVC
10	10675	Overflow Elbow Gasket, 2-1/4 I.D., 3-1/2 O.D., 5/8" Foam
11	11530	Retainer Plate
12	11540	Retainer Plate Screw
13	20200-CP	TURNSTYLE® Assembly
14	10954	5.25" Double-Loop Wire
15	11005	Drop Cylinder, ABS
	14005	Drop Cylinder, PVC
16	01024CP	Overflow Plate Screw, 2.25"
17	20030CP	Cable Faceplate, Brass
18	20140	Cable Faceplate Locking Screw

Part #13 (20200-CP) consists of:
 10920..... TL Clevis for TS
 10932..... TS Brass Hex Nut 6-32
 10934..... TS SS Mach. Screw 6-32
 10952..... TL Linkage Nut
 10953..... Top Linkage Eye Bolt
 20020CP.... TS OF Mount w/Prongs
 20041..... TS Turning Pin
 20042..... TS Turning Pin Sleeve
 20043..... Cable Stop
 20200-CP
 See page 53.

Spec Sheets

Tubular Plastic

590-PP Parts List (Tubular Plastic; Coarse Thread)

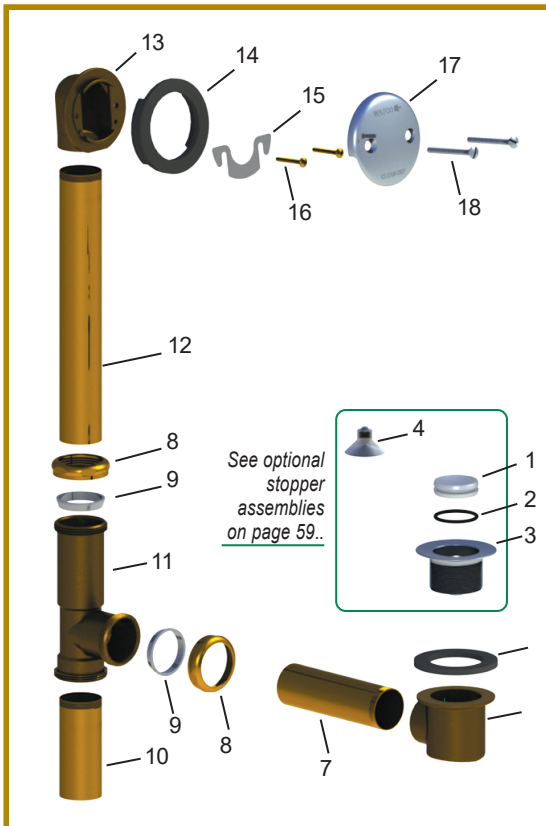


1	01010CP	Knob, Brass
2	11584	PP 3/8" Pin (11508) and Friction Ring (11504)
3	01013CP	Stopper, Brass
4	11507	Stopper Seal, 1-1/16" dia.
5	01016CP	Strainer Body, Brass, 1.865"-11.5 x 1.25"
6	10696	Drain Ell Gasket, 1.90" I.D., 2.75" O.D., gray
7	11028	Drain Ell, Coarse-Thread Tubular, ABS
	14028	Drain Ell, Coarse-Thread Tubular, PVC
8	11580	Slip Joint Nut, ABS
	11581	Slip Joint Nut, PVC
9	11583	Slip Joint Polywasher
10	11000	Tee, Tubular ABS
	14000	Tee, Tubular PVC
11	11019	Innovator® Overflow Ell, Tubular ABS
	14019	Innovator® Overflow Ell, Tubular PVC
12	10694	(2) Overflow Flange Gasket, Foam...ea.
13	11121	Retainer Star Nut
14	01005CP	Innovator® Faceplate
15	11114	Innovator® Test Cap
16	11577	Test Plug w/O-Ring-type Gasket

Spec Sheets

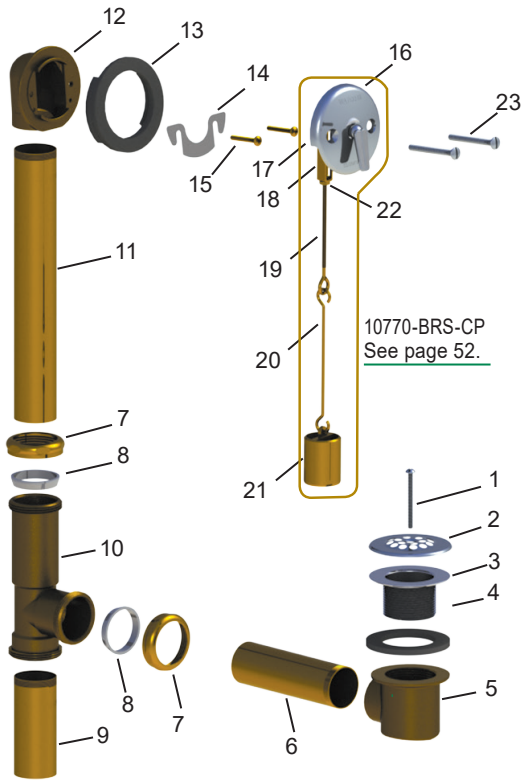
Tubular Brass

501- & 502-PF Parts List (Brass; Coarse Thread)



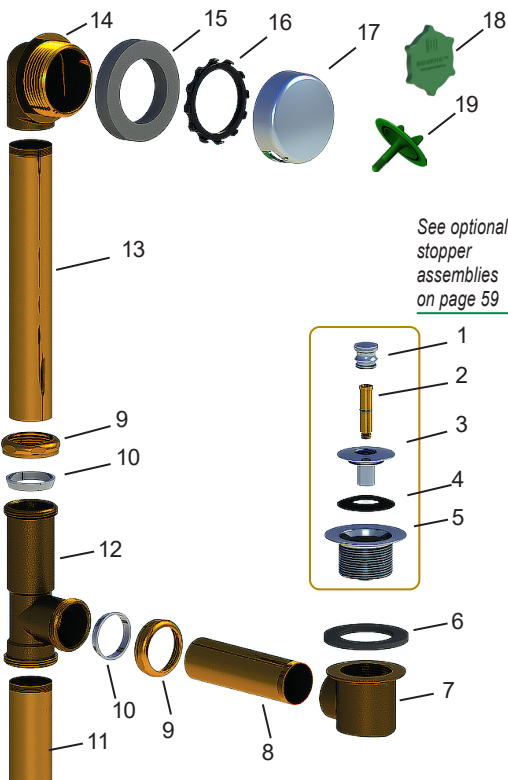
1	11145CP	PRESFLO® Stopper, Plastic, 1.5", for CT
2	11132	PRESFLO® Seal, for CT
3	11060CP	Strainer Body, Brass 1.865" - 11.5 - 1.25"
4	96039	Suction Cup for removing PRESFLO® stopper
5	10696	Drain Ell Gasket, 1.90" I.D., 2.75" O.D., gray
6	44006	Drain Ell, Brass, 1.865" - 11.5
7	17GA-4.75	Drain Ell Tube, Brass (17 Gauge), 4.75"
	20GA-4.75	Drain Ell Tube, Brass (20 Gauge), 4.75"
8	41580	Brass Slip Nut
9	11583	Slip Joint Polywasher
10	17GA-3.5	Tail Piece (17 Gauge), 3.5"
	20GA-3.5	Tail Piece (20 Gauge), 3.5"
11	44001	Brass Tee
12	17GA-9.625	Overflow Ell Tube (17 Gauge), 9.625"
	20GA-9.625	Overflow Ell Tube (20 Gauge), 9.625"
13	44003	Brass Overflow Ell
14	40675	Overflow Ell Washer for Brass
15	11530	Retainer Plate
16	41540	Brass Screw for Brass Retainer Plate
17	01003CP	2-Hole Faceplate, Metal
18	01024CP	Faceplate Screw

501- & 502-TQ & Trip Lever Parts List (Brass; Coarse Thread)



1	01040CP	Strainer Cover Plate Screw
2	01006CP	Strainer Cover Plate
3	11495CP	Strainer Body, Zinc, 1.625" - 11.5 - 1.25"
4	10696	Drain ELL Gasket, 1.90" I.D., 2.75" O.D., gray
5	44006	Brass Drain ELL, 1.865" - 11.5
6	17GA-4.75	Drain ELL Tube, Brass (17 Gauge), 4.75"
7	20GA-4.75	Drain ELL Tube, Brass (20 Gauge), 4.75"
8	41580	Brass Slip Nut
9	11583	Slip Joint Polywasher
10	17GA-3.5	Tail Piece (17 Gauge), 3.5"
11	20GA-3.5	Tail Piece (20 Gauge), 3.5"
12	44001	Brass Tee
13	17GA-9.625	Overflow ELL Tube (17 Gauge), 9.625"
14	20GA-9.625	Overflow ELL Tube (20 Gauge), 9.625"
15	44003	Overflow ELL, Brass
16	40675	Overflow ELL Washer for Brass
17	11530	Retainer Plate
18	41540	Brass Screw for Brass Retainer Plate
19	10700CP	TL Faceplate Assembly
20	10930	Cotter Pin (Not shown-behind FACE plate)
21	10950	Quick Adjust "Q" Clevis
22	10953	Top Linkage Eye BoLT
23	10954	5.25" Double-Loop Wire
24	41005	Brass Drop Cylinder for Brass
25	10952	TL Linkage Nut
26	01024CP	Screw, Overflow Plate, 2.25"

591-PP Parts List (Brass; Coarse Thread)



1	01010CP	Knob, Brass
2	11584	PP 3/8" Pin (11508) and Friction Ring (11504)
3	01013CP	Stopper, Brass
4	11507	Stopper Seal, 1-1/16" dia.
5	01016CP	Strainer Body, Brass, 1.865"-11.5 x 1.25"
6	10696	Drain ELL Gasket, 1.90" I.D., 2.75" O.D., gray
7	44006	Drain ELL, Brass
8	17GA-4.75	Drain ELL Tube, Brass (17 Gauge), 4.75"
9	20GA-4.75	Drain ELL Tube, Brass (20 Gauge), 4.75"
10	41580	Brass Slip Nut
11	11583	Slip Joint Polywasher
12	17GA-3.5	Tail Piece (17 Gauge), 3.5"
13	20GA-3.5	Tail Piece (20 Gauge), 3.5"
14	44001	Brass Tee
15	17GA-9.625	Overflow ELL Tube (17 Gauge), 9.625"
16	20GA-9.625	Overflow ELL Tube (20 Gauge), 9.625"
17	44005	Overflow ELL, Brass for Innovator®
18	10675	Overflow Elbow Gasket, 2-1/4 I.D., 3-1/2 O.D., 5/8" Foam
19	11121	Retainer Star Nut
20	01005CP	Innovator® Faceplate
21	11114	Innovator® Overflow ELL Test Cap
22	11577	Test Plug with O-Ring-type Gasket

Terms and Conditions Policies and Miscellaneous Information

Selling Policy: Possession of our list or jobber discount sheet is not an offer to sell. All orders are subject to acceptance by the home office in Independence, Missouri.

Taxes and Government Regulations: Sales or manufacturer's tax imposed under any existing or future statutes shall be added to of the merchandise effective at the time shipment is made.

Cash Discount: 3% 15 days from date of invoice or 2% 10th prox. Net EOM.

Freight Allowance: All goods sold F.O.B. Independence, Missouri. For shipments in the continental United States and Canada, full freight will be allowed on orders of \$2,500 list or more. See Mobile Home & RV Supplies list sheet for exceptions. We reserve the right to ship the most economical way.

Foreign Shipments (including Alaska & Hawaii) will be allowed full freight, according to the conditions listed above, only to the embarkation point in the continental United States.

Shipping Policy: It will be our policy to ship all orders for standard items within two working days after we receive the order. This policy will be followed unless delays are caused by circumstances beyond our control.

Claims, Shortages and Damage: Any claims for shortages or goods damaged in transit must be made within 10 days after receipt of merchandise. All claims should be made to the delivering carrier by the consignee.

Prices, Designs and Quotations: Prices, designs and dimensions of products are subject to change without notice. Quotations, unless otherwise stated, are for immediate acceptance, and s quoted are based on the seller's standard tolerances of materials. We reserve the right to invoice all merchandise at prices in effect at the time of shipment.

Cancellations: Orders covering special merchandise are not subject to cancellation without our written permission. Purchaser subject to expense incurred by cancellation of special orders.

Limited Warranty: All Watco bath wastes and accessories carry a limited five-year (5) warranty against defects in material and workmanship.

Watco will repair, replace, or issue credit (at our option) for defective goods that are returned for inspection and found defective. WE WILL NOT BE RESPONSIBLE FOR ANY LABOR CHARGES OR ANY LOSS, INJURY OR DAMAGES WHATSOEVER, INCLUDING INCIDENTAL OR CONSEQUENTIAL DAMAGES.

Returned Merchandise: Written permission must be obtained from a WATCO representative prior to the return of ANY material. Return of non-defective material with Chrome finish is subject to a minimum 25% restocking charge, plus re-boxing charges. Other finishes and special lengths are subject to a minimum of 50% restocking charge, plus re-boxing charges. Defective material is subject to the limited warranty stated above. Credit will NOT be issued for material received at Watco in non-resalable condition or obsolete merchandise.

New Packaging for Carded Items



**To order,
place a "C"
at end of
part number.**

**Example:
48701-PP-BZ-2P-C**

**Available for most
Trim Kits and Tub Closures**



TechNotes

SCHEDULE 40 OPTIONS		
2-Hole Overflow Elbow and Faceplate		2H
Add Adapter Bar and Star Nut		11
Condensate Adapter included on bath waste		CD
Drain Extension, ABS	D(length)	per inch:
Drain Extension, PVC	D(length)	per inch:
(Advise length from center line of drain elbow to center line of tee.)		
Innovator® Sch40 Drains without any testing		LMT
Innovator® Overflow Thread Extender		OEX
Factory-installed. (Extends overflow elbow from 11/4" to 13/4")		
No Tee		NTEE
No Tee or Pipe		13
Overflow Extension, ABS	EX(length)	per inch:
Overflow Extension, PVC	EX(length)	per inch:
(Advise length from center line of overflow elbow to center line of tee.)		
"PUSH" etched both sides of PRESFLO® disk		E
Sanitary Tee added to a Half Kit		T
Test Cap (#11114), no membrane (Innovator®)		TC
Test Kit (600's) using 2-hole overflow elbow with adapter bar,		
Test Kit (for 600 Series), plastic,		T6
includes #11575 and #11594 test plugs		

TUBULAR PLASTIC OPTIONS	
Brass Drop Cylinder (Plastic Trip Levers only)	BD
Condensate Drain (Tubular Plastic)	CD
Drain Extension	D(length)
(Advise length from center line of drain elbow to center line of tee.)	
Innovator® Drains without any testing	LTK
Overflow Extension	EX(length)
(Advise length from center line of overflow elbow to center line of tee.)	
"PUSH" etched both sides of PRESFLO® disk	E
Removable Tailpiece (Non-Trip Lever)	RT2
Removable Tailpiece (Trip Lever only) and	
"O"-Ring Seal	RT1

QUICK ADJUST® Bath Wastes

QUICK ADJUST® Installation

A Establish rough-in length at overflow elbow scale.

B Adjust threaded-rod end on the linkage clevis until the number matches the number on the overflow elbow scale.

NOTE:
 Typical installation for:
 Model 500-TQ (ABS or PVC)
 Model 501-TQ (17ga Brass)
 Model 502-TQ (20ga Brass)

ADA

PRESFLO® Bath Wastes

How PRESFLO® Works

A rounded channel [1] is included in the upper part of the strainer body which is compatible with the rounded edges [2] of the PRESFLO® stopper. When the stopper edge is pressed to open, the rounded edges on both sides fit into the rounded channel in the strainer body, forming an operating axis. This happens no matter where you press down on the circular stopper edge.

ADA

Closed portion.

Press any edge to open.

Stopper disc, with Buna-N-Seal, in open position.

Press top edge toward side to close.

To remove the PRESFLO® stopper from the strainer body, attach the furnished suction cup and pull straight up.

Tubular Brass options		
Brass Ferrules (Includes 2)		F
Brass Half Ferrules (Includes 2)		HF
Condensate Drain (Brass Tubular)		CD2
Condensate Drain for Innovator Brass		CD3
Extension - Drain, 17 Gauge D(length)	D(length)	per inch:
Extension - Drain, 20 Gauge D(length)	D(length)	per inch:
(Advise length from center line of drain elbow to center line of tee.)		
Extension - Overflow, 17 Gauge	EX(length)	per inch:
Extension - Overflow, 20 Gauge	EX(length)	per inch:
(Advise length from center line of overflow elbow to center line of tee.)		
Extension - Tailpiece, 17 Gauge	TX(length)	per inch:
Extension - Tailpiece, 20 Gauge	TX(length)	per inch:
Innovator® Drains without any testing		LTK
"PUSH" etched both sides of PRESFLO® disk		E

Understanding

RI's and SF's...

A *Complete Bath Waste* is made up of both the RI (Rough-In) and the SF (Stopper/Faceplate).

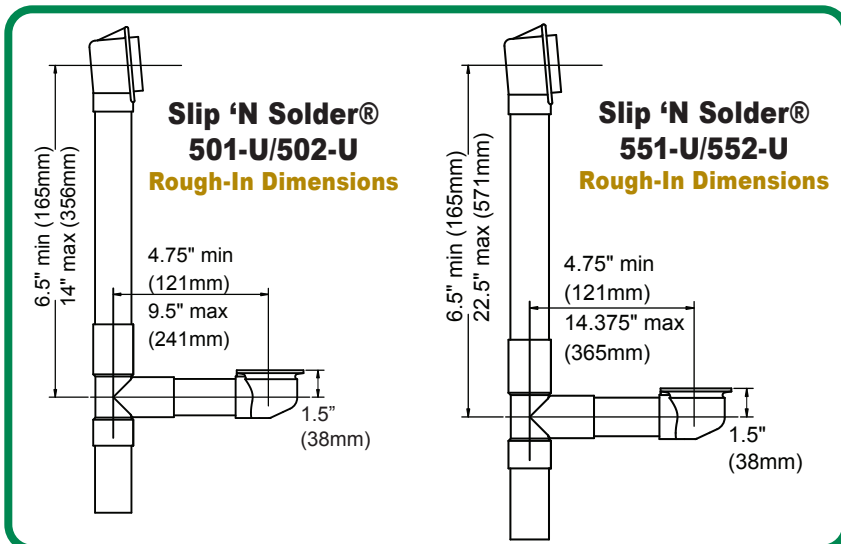
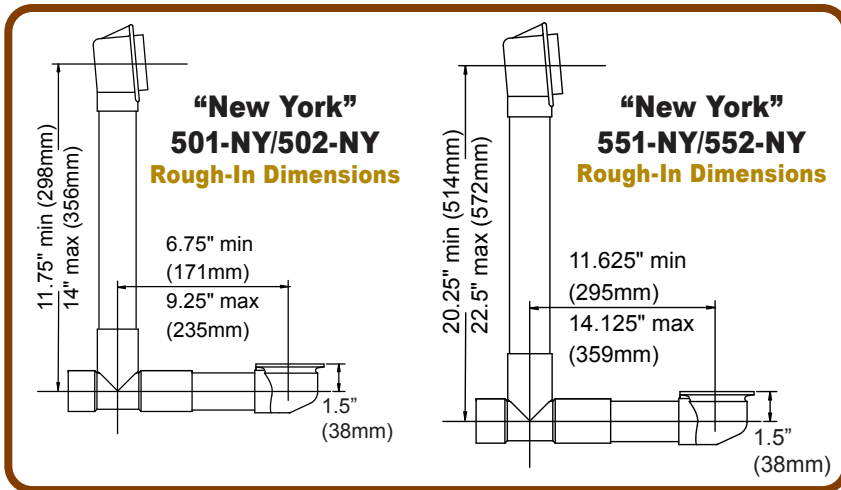
Purchase a Complete Bath Waste if installation will be completed in one operation.

A *Rough-In (RI)* has all the bath waste parts that go behind and below the tub AND has the *Strainer Body*. It does NOT have the faceplate or stopper assembly.

Purchase a Rough-In (RI) when the faceplate and stopper will be installed later.

A *Stopper/Faceplate (SF)* is NOT a trim kit. It usually contains only the stopper and faceplate and is to be installed after installation of the roughed-in part of the bath waste has been completed.

Purchase a Stopper/Faceplate (SF) to complete Rough-In.



Removing Stoppers from Strainer Bodies

Lift and Turn & PUSH PULL® Stoppers:

1. Close stopper.
2. With cloth protecting knob and stopper, use pliers/wrench to turn knob counter-clockwise to unscrew from stopper.
3. Using flat-head screw driver in slot in top of exposed brass pin, turn pin counter-clockwise to remove pin from crossbars in strainer body.

Standard Foot Actuated Stoppers:

1. Remove flat cap of stopper by turning it counter-clockwise.
2. Use flat-head screwdriver to unscrew pin from crossbars in strainer body. **DO NOT DISASSEMBLE REST OF STOPPER.**

Universal NuFit® Foot Actuated Stoppers:

DO NOT REMOVE FOOT ACTUATED STOPPER FROM BODY OF PRODUCT. CONTACT THE FACTORY.

Converting from Coarse-Thread Trip Lever Bath Wastes to:

- Lift and Turn Stopper: Kit 58290-___ pg 50.
- Push Pull® Stopper: Kit 38290-___ pg 50.
- PresFlo® Stopper: Kit 38250-___ pg 50.
- Foot Actuated Stopper: Kit 68290-___ pg 50.



WATCO... Always a Step Ahead.™

Call WATCO Representative for assistance.

Representative Questions?

Call Watco For Assistance

1-800-821-8576

Sales@watcomfg.com



WATCO MANUFACTURING COMPANY

1220 South Powell Road • Independence, MO 64057-2724

PHONE: 816-796-3900 • 800-821-8576 • FAX: 816-796-0875 • 800-399-2826

EMAIL: watcosales@watcomfg.com • WEBSITE: www.watcomfg.com

A Division of WCM Industries, Inc.