



SIP Industries

Quality Manufacturers Since 1960



Meter Boxes

www.sipindustries.com

Toll Free 877-921-6111

TABLE OF CONTENTS

<u>ITEM #</u>	<u>DESCRIPTION</u>	<u>PAGE #</u>
2901	SINGLE READER LID "OLDCASTLE"	Page : MB 5
2903	OLDCASTLE SINGLE READER LOCKING LID EQ. C-36 HLD	Page : MB 5
2907	JEWEL READER LID BOX	Page : MB 5
2909	OLDCASTLE DUAL READER LID CI-H4 DUAL	Page : MB 6
2910 - 2915	OLDCASTLE EQ. 3RT RING & COVER	Page : MB 6
2917 - 2920	EQ. #36 PULL BOX COVER "Oldcastle"	Page : MB 6
2921 - 2924	EQ. #36 WATER METER LID "Oldcastle"	Page : MB 7
2925 - 2928	EQ. #37 T / #37 T-FW COVER	Page : MB 7
2930	EQ. #37 WATER METER FRAME W/ SR LID, 11" X 18"	Page : MB 7
2939 - 2942	EQ. #38 ELECTRICAL PULL BOX COVER	Page : MB 8
2950 - 2951	EQ. #65 2 PC. WATER METER LID 15" X 13"	Page : MB 8
2952	DUAL METER BOX LID "WATER METER"	Page : MB 8
2953	EQ. #65 HINGE READER LID ONLY	Page : MB 9
2954	EQ. #65 ONE PIECE WATER METER LID W/READER LID	Page : MB 9
2960 - 2961	EQ. #66 PULL BOX COVER, 17" X 30"	Page : MB 9
2972	EQ. #11P METER BOX LID DROP IN LID	Page : MB 10
2989 - 2999	EQ. 5A DUAL LID WITH SINGLE READER LID	Page : MB 10
3000 - 3002	OVERLAPPING WATER METER LID	Page : MB 10
3010	OVERLAPPING ALABAMA LID EQ. LC2115	Page : MB 11
3020 - 3025	CAST IRON 290 LID EQ. LC223	Page : MB 11
3030	CAST IRON 291 LID WITH READER LID. EQ. LC225	Page : MB 11
3035 - 3037	CAST IRON T-LID EQ. LC528	Page : MB 12
3040 - 3041	METER TILE COVER EQ. LC-218	Page : MB 12
3045	CI OUTER & INNER LID "WATER METER" EQ. LC-219	Page : MB 12
4006 - 4007	PROPERTY OWNERS CUT OFF LID	Page : MB 13
4008	AUSTIN SPRING LID	Page : MB 13
4220 - 4223	EQ. #15 SAN ANTONIO METER BOX, OVAL 3 PC.	Page : MB 13
4230 - 4232	EQ. #1 SAN ANTONIO METER BOX 12" X 18" COMPLETE	Page : MB 14
4240 - 4242	SAN ANTONIO #2 METER BOX 15" X 25" COMPLETE	Page : MB 14
4243	EQ. #2 METER BOX STEEL PLATE LID FABRICATED	Page : MB 14
4290 - 4292	EQ. MBX 1010 W/LOCKING LID	Page : MB 15
4295	EQ. #318 OVAL METER BOX	Page : MB 15

Contd.....

TABLE OF CONTENTS (Contd...)

ITEM #	DESCRIPTION	PAGE #
4380	EQ. 226L RING & LID	Page : MB 15
4520 - 4523	ALBUQUERQUE METER BOX 22" X 28"	Page : MB 16
4595 - 4597	MOBILE ALABAMA METER BOX	Page : MB 16
5000 - 5021	EQ. DTL 198 METER BOX (BODY & LID)	Page : MB 16
5037	EQ. AZ 100L METER BOX LID	Page : MB 17
5038	EQ. AZ 200L METER BOX LID	Page : MB 17
5050 - 5053	CI GATE CAP	Page : MB 17
5100	TULSA LAMP POLE BASE & LID	Page : MB 18
5227 - 5229	FLAT LID WITH READER LID FOR PIT	Page : MB 18
5230 - 5236	KANSAS LID	Page : MB 18
5238 - 5240	RAISED RING ONLY FOR METER PIT	Page : MB 19
5241 - 5243	LID ONLY FOR RAISED D RING	Page : MB 19
5245	CITY OF DERBY LID ONLY 2" HOLE	Page : MB 19
5247 - 5249	CITY OF NEWTON RING AND LID	Page : MB 20
5250 - 5253	GARDEN CITY LID	Page : MB 20
5254 - 5256	DROP-IN METER LID W/7.5" INNER LID SOLID	Page : MB 20
5257 - 5259	DROP-IN METER LID W/7.5" INNER LID W/2" AMR	Page : MB 21
5260	EQ. SIGMA MBSW3/EQ. FORD W3 22"	Page : MB 21
5262	EQ. SIGMA MBSW2/EQ FORD W32 20"	Page : MB 21
5265 - 5267	DROP-IN METER LID W/7.5" LID W/2" RECESS AMR	Page : MB 22
5300 - 5305	NON-TRAFFIC F&G, TENNESSEE	Page : MB 22
5310 -5311	EQ. AC 901 METER BOX	Page : MB 22
5350	EQ. FORD C3 METER BOX SOLID	Page : MB 23
5450 - 5454	WATER METER PIT COVERS	Page : MB 23
5456	15.88" PORTLAND WATER METER PIT	Page : MB 23
5605 - 5606	EQ. #316 - 2 PC. INNER LID AND OUTER LID.	Page : MB 24
5615	MARTA LID EQ. #316 - WATER METER	Page : MB 24
5700 - 5702	WILMINGTON CLEAN OUT BOX & LID	Page : MB 24
5705 - 5706	WILMINGTON MONUMENT BOX	Page : MB 25
5708 - 5709	WINSTON SALEM METER BOX - EQ. MB2	Page : MB 25
5710 - 5713	WINSTON SALEM METER BOX - EQ. MB1	Page : MB 25
5730	ASHEVILLE RING & LID	Page : MB 26

Contd.....

TABLE OF CONTENTS

ITEM #	DESCRIPTION	PAGE #
5780	EQ. 1M BOX AND LID	Page : MB 26
5782	EQ. 2M BOX AND LID	Page : MB 26
5786	EQ. 3M BOX AND LID	Page : MB 27
6396 - 6400	ROME BOX COMPLETE	Page : MB 27
6401 - 6407	OVAL METER BOX EQ. B85 / B86	Page : MB 28
6408 - 6413	METER BOX MBX - EQ. #1	Page : MB 28
6410	METER BOX MBX - EQ. 5A JUMBO	Page : MB 29
6411 - 6414	METER BOX MBX - EQ. #2	Page : MB 29
6415 - 6417	SCOFIELD METER BOX	Page : MB 30
6420	DECATUR METER BOX	Page : MB 30
6421 - 6422	METER BOX MBX - EQ. #1 (CLEANOUT / SEWER)	Page : MB 31
6425 - 6428	METER BOX EQ. MB 34L	Page : MB 31
6430	13.625" X 24.25" METER BOX	Page : MB 31
6440 - 6442	OVAL METER BOX EQ. SIGMA MB281	Page : MB 32
6443	HARPOR METER BOX LID ONLY EQ. MB280	Page : MB 32
6450	MIAMI DADE HEXAGON SEWER CLEANOUT	Page : MB 33
6457	DYER BOX RING & COVER CLEAN OUT	Page : MB 33
6470 - 6472	ADAPTER RING	Page : MB 33
6475	20 X 24 ADAPTER RING	Page : MB 34
6476	20 X 30 ADAPTER RING	Page : MB 34
6477	20 X 36 ADAPTER RING	Page : MB 34
6480	WATER METER BOX EQ. POWERSEAL	Page : MB 35
6490	GM GLASMASTERS LID SMALL	Page : MB 35
6491	GM GLASMASTERS LID BIG	Page : MB 35
6501	SEWER CLEAN OUT MID-FLANGE	Page : MB 36
6502	SEWER CLEAN OUT BOTTOM FLANGE	Page : MB 36
6503	SEWER CLEAN OUT TOP FLANGE NEW	Page : MB 36
6503B	10" SEWER CLEAN OUT TOP FLANGE NEW	Page : MB 37
6504	SEWER CLEAN OUT TOP FLANGE	Page : MB 37
6505 - 6507	SANITARY CLEAN OUT Y-BOOT	Page : MB 37
6508	EQ. C111 - 26 3/4" METER LID	Page : MB 38
6509	EQ. 108P - 16 1/8" PLASTIC METER COVER	Page : MB 38

Contd.....

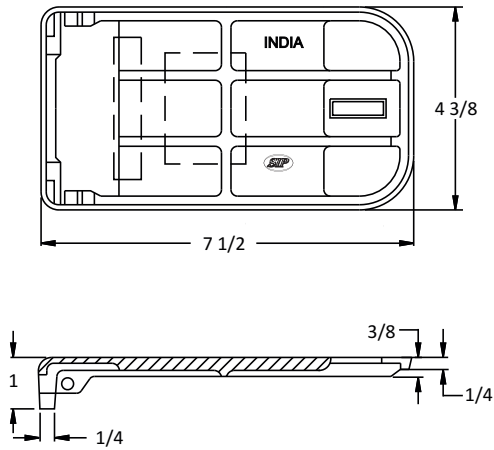
TABLE OF CONTENTS (Contd...)

ITEM #	DESCRIPTION	PAGE #
6510	EQ. 109P - 19 1/4" PLASTIC METER COVER	Page : MB 38
6511	CITY OF HARLINGEN METER BOX LID	Page : MB 39
6512 - 6513	19" METER CAN RING & LID FOR EQ. A2000 PIPE	Page : MB 39
6514	18" RAISED RING & WATER METER COVER EQ. 2210	Page : MB 39
6515/MCGA	18" METER CAN RING & LID w/GALVANIZED STEEL METER CAN	Page : MB 40
6516/MCGA	24" METER CAN RING & LID w/GALVANIZED STEEL METER CAN	Page : MB 41
6517/MCGA	30" METER CAN RING & LID w/GALVANIZED STEEL METER CAN	Page : MB 42
6518/MCGA	36" METER CAN RING & LID w/GALVANIZED STEEL METER CAN	Page : MB 43
6523 - 6525	DROP IN LID & METER FRAMES	Page : MB 44
6532	CAST IRON PIT MB	Page : MB 44
USF 7610	8" LAMP HOLE CLEANOUT DOMESTIC	Page : MB 44

- All dimensions are in inches unless noted otherwise.
- All weights are approximate in pounds unless noted otherwise.

SINGLE READER LID "OLDCASTLE"

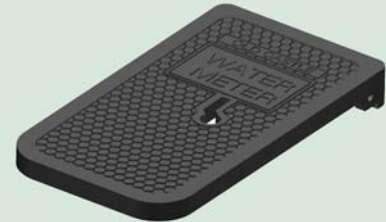
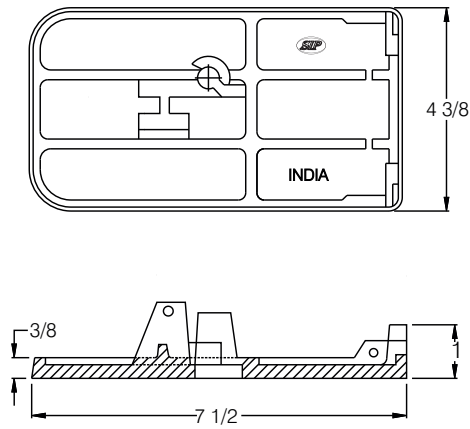
ITEM # : 2901



Material : Cast Iron, ASTM A48, Class 30B
Dimensions : All are in Inch

OLDCASTLE SINGLE READER LOCKING LID EQ. C-36 HLD

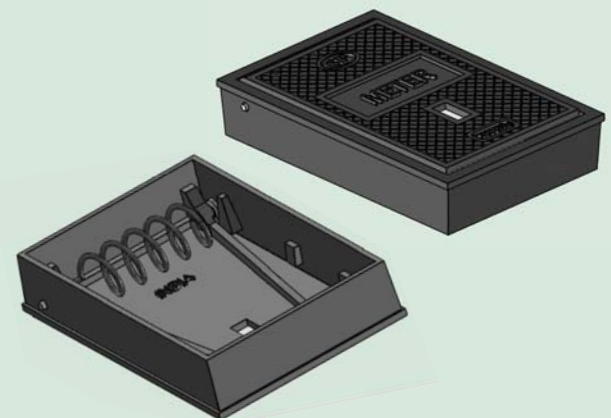
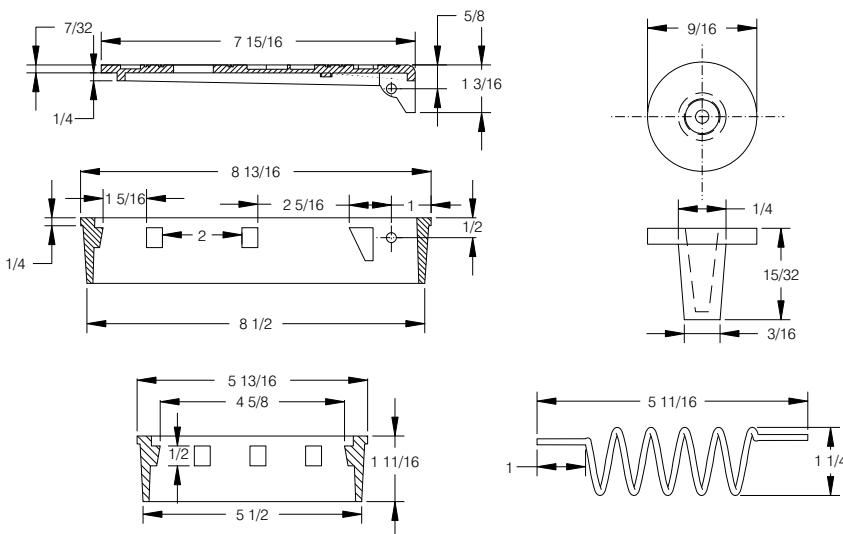
ITEM # : 2903



Material : Cast Iron, ASTM A48, Class 30B
Dimensions : All are in Inch

JEWEL READER LID BOX

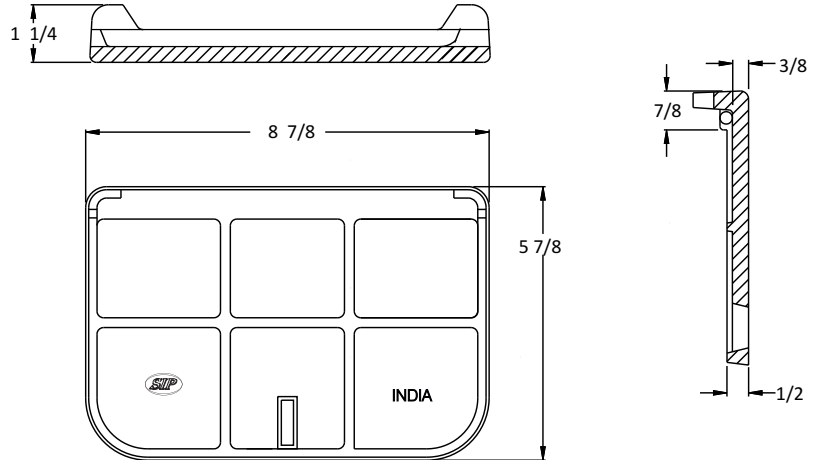
ITEM # : 2907



Material : Cast Iron, ASTM A48, Class 30B
Dimensions : All are in Inch

ITEM # : 2909

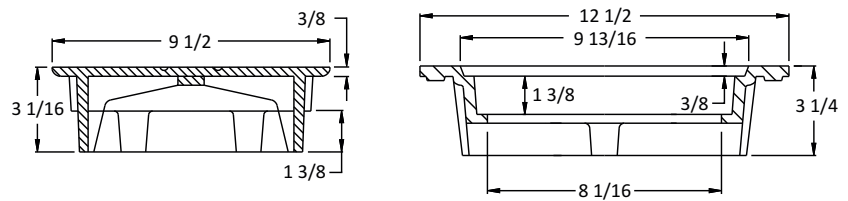
OLDCASTLE DUAL READER LID EQ. CI-H4 DUAL



Material : Cast Iron, ASTM A48, Class 30B
Dimensions : All are in Inch

ITEM # : 2910 - 2915

OLDCASTLE 3RT RING & COVER

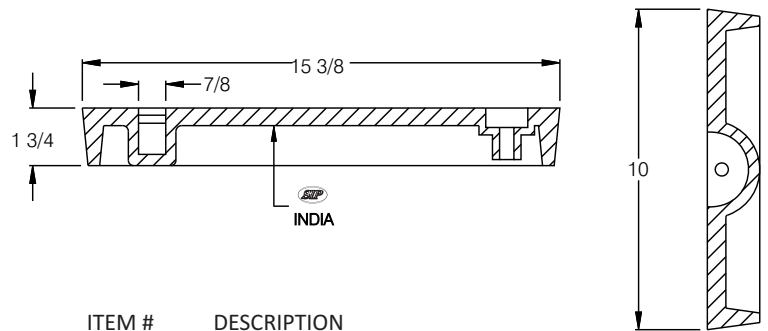


Material : Cast Iron, ASTM A48, Class 30B
Dimensions : All are in Inch

ITEM #	DESCRIPTION
2910	OLDCASTLE 3RT RING ONLY
2911	OLDCASTLE 3RT COVER ONLY MARKED "GROUND"
2912	OLDCASTLE 3RT COVER ONLY MARKED "CP TEST"
2913	OLDCASTLE 3RT COVER ONLY MARKED "WATER"
2914	OLDCASTLE 3RT COVER ONLY MARKED "ANODE"
2915	OLDCASTLE 3RT COVER ONLY MARKER "SS CO COH"

ITEM # : 2917 - 2920

EQ. #36 PULL BOX COVER "Oldcastle"

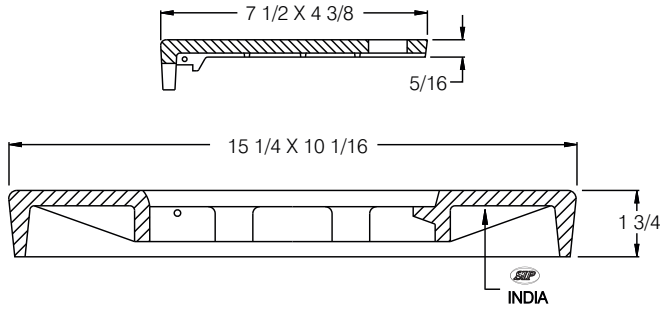


Material : Cast Iron, ASTM A48, Class 30B
Dimensions : All are in Inch

ITEM #	DESCRIPTION
2917	EQ. #36 C P TEST PULL BOX COVER
2918	EQ. #36 ELECTRICAL PULL BOX COVER
2919	EQ. #36 COMMUNICATIONS PULL BOX COVER
2920	EQ. #36 TRAFFIC SIGNAL PULL BOX COVER

EQ. #36 WATER METER LID "Oldcastle"

ITEM # : 2921 - 2924

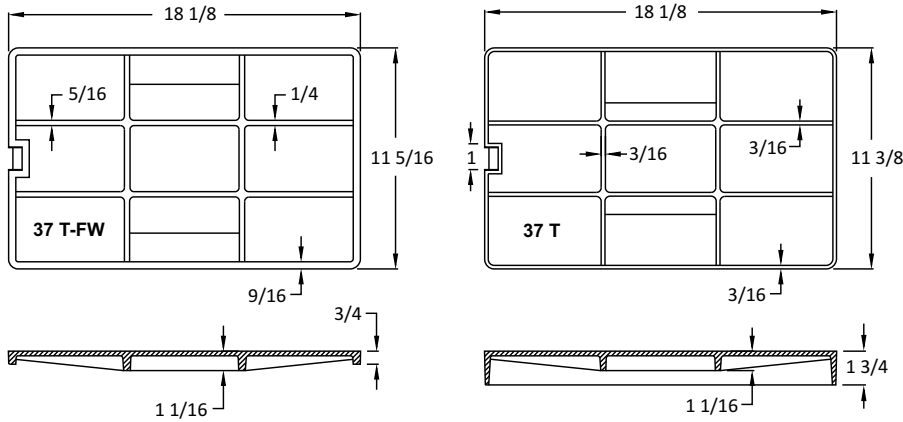


ITEM #	DESCRIPTION
2921	EQ. #36 WATER METER LID W/ SR LID, 15 1/4" X 10 1/16"
2922	EQ. #36 WATER METER LID W/ SR LID W/ 2" HOLE
2923	EQ. #36 WATER METER LID SOLID NON-BOLTED
2924	EQ. #36 WATER METER LID SOLID NON-BOLTED "SEWER"

Material : Cast Iron, ASTM A48, Class 30B
 Dimensions : All are in Inch

EQ. #37 T / #37 T-FW COVER

ITEM # : 2925 - 2928

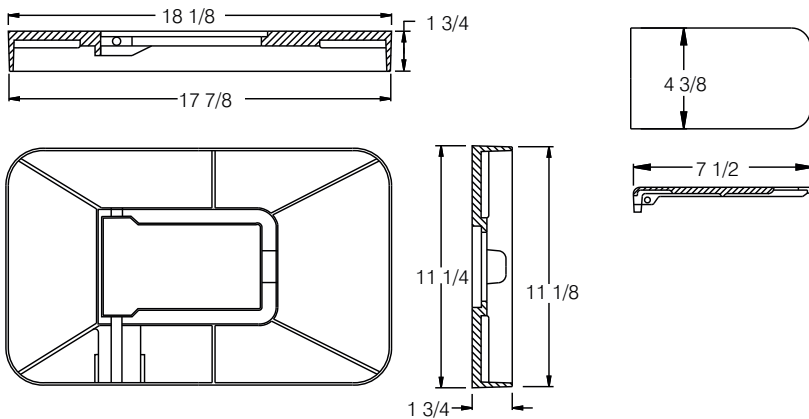


ITEM #	DESCRIPTION	ITEM #	DESCRIPTION
2925	EQ. #37 T-FW WATER METER COVER	2926	EQ. #37 T SEWER COVER
2928	EQ. #37 T-FW SEWER COVER	2927	EQ. #37 T WATER COVER

Material : Cast Iron, ASTM A48, Class 30B
 Dimensions : All are in Inch

EQ. #37 WATER METER FRAME W/ SR LID, 11" X 18"

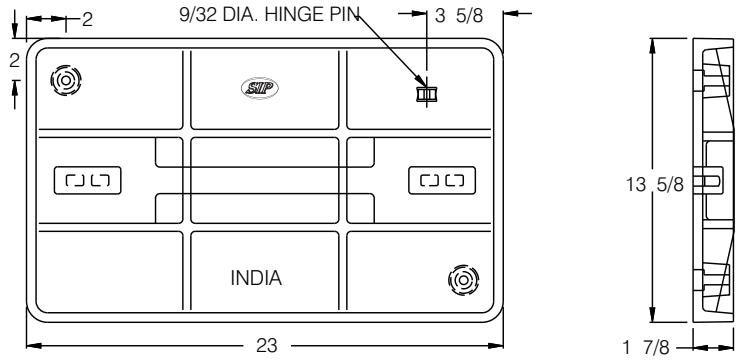
ITEM # : 2930



ITEM #	DESCRIPTION
2930	EQ. #37 WATER METER FRAME W/ SR LID, 11" X 18"
2930P	EQ. #37 WATER METER FRAME W/ SR LID, 11" X 18" PLAIN

Material : Cast Iron, ASTM A48, Class 30B
 Dimensions : All are in Inch

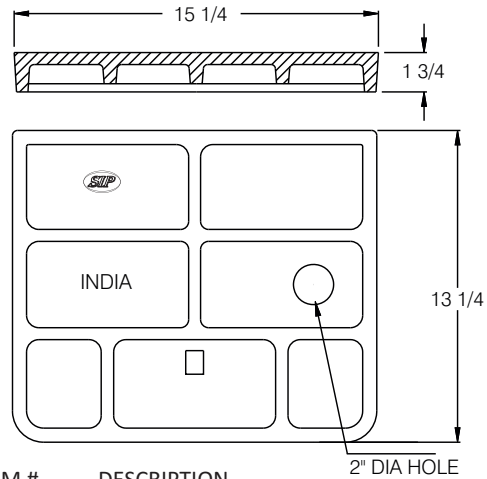
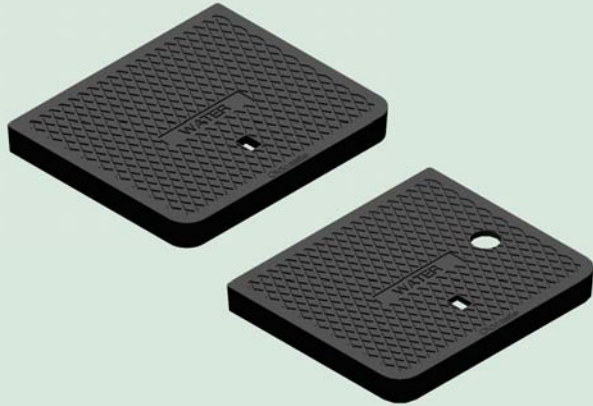
ITEM # : 2939 - 2942 EQ. #38 ELECTRICAL PULL BOX COVER



Material : Cast Iron, ASTM A48, Class 30B
Dimensions : All are in Inch

ITEM #	DESCRIPTION
2939	EQ. #38 ELECTRIC PB COVER 14" X 23" W/2" BOLT HOLE
2941	EQ. #38 ELECTRICAL PULL BOX COVER TRAFFIC SIGNAL
2942	EQ. #38 COMMUNICATIONS PULL BOX COVER

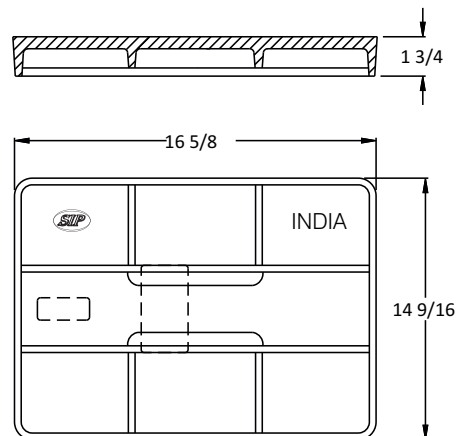
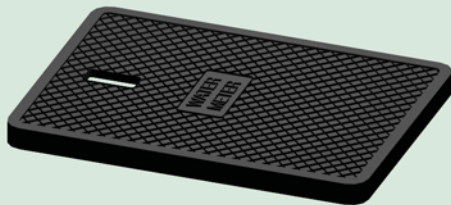
ITEM # : 2950 - 2951 EQ. #65 2 PC. WATER METER LID 15" X 13"



Material : Cast Iron, ASTM A48, Class 30B
Dimensions : All are in Inch

ITEM #	DESCRIPTION
2950	EQ. #65 2 PC. WATER METER LID 15" X 13"
2951	EQ. #65 2 PC. WATER METER LID W/2" READER HOLE

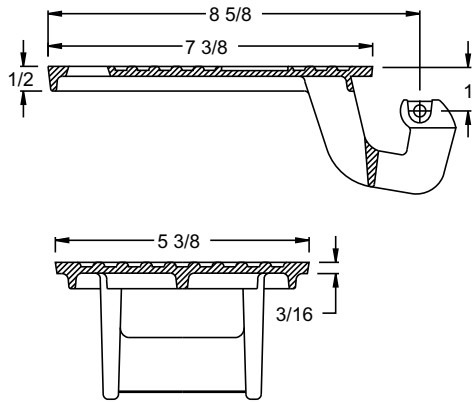
ITEM # : 2952 DUAL METER BOX LID "WATER METER"



Material : Cast Iron, ASTM A48, Class 30B
Dimensions : All are in Inch

EQ. #65 HINGE READER LID ONLY

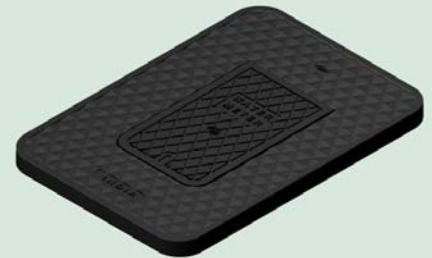
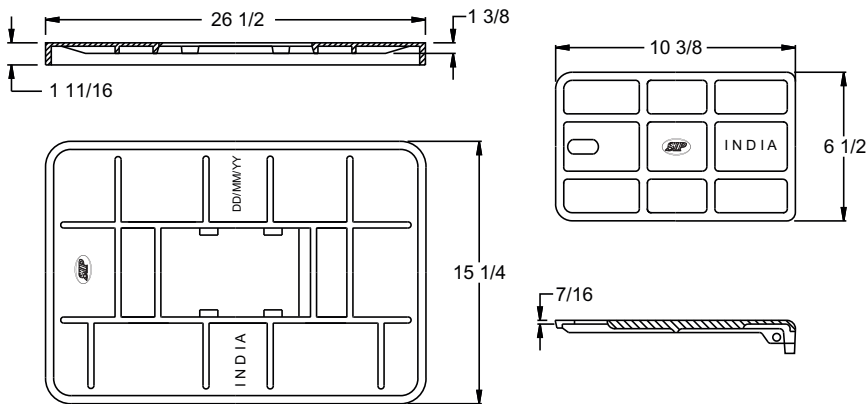
ITEM # : 2953



Material : Cast Iron, ASTM A48, Class 30B
Dimensions : All are in Inch

EQ. #65 ONE PIECE WATER METER LID W/READER LID

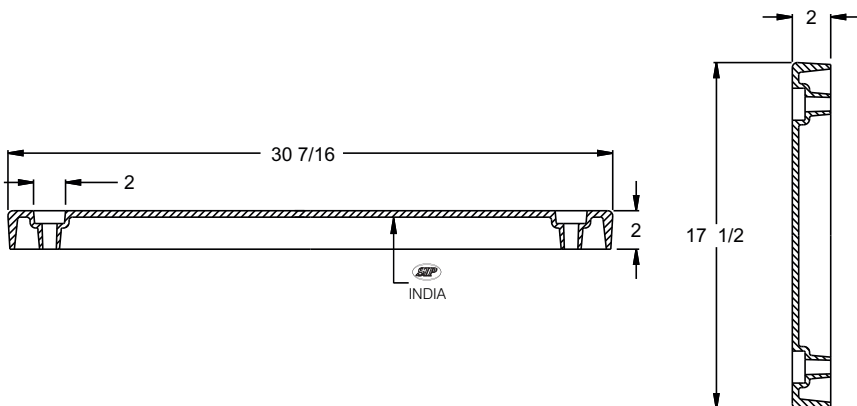
ITEM # : 2954



Material : Cast Iron, ASTM A48, Class 30B
Dimensions : All are in Inch

EQ. #66 PULL BOX COVER, 17" X 30"

ITEM # : 2960 - 2961

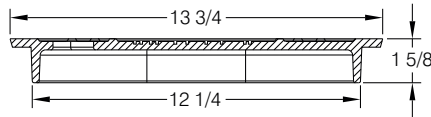
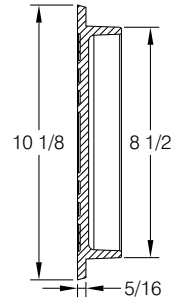
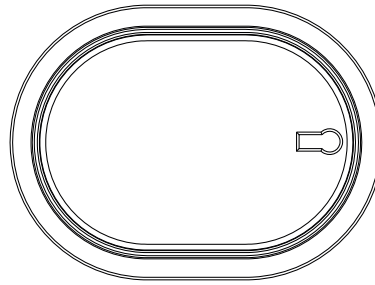


ITEM #	DESCRIPTION
2960	EQ. #66 ELECTRICAL PULL BOX COVER, 17" X 30"
2961	EQ. #66 COMMUNICATION PULL BOX COVER, 17" X 30"

Material : Cast Iron, ASTM A48, Class 30B
Dimensions : All are in Inch

ITEM # : 2972

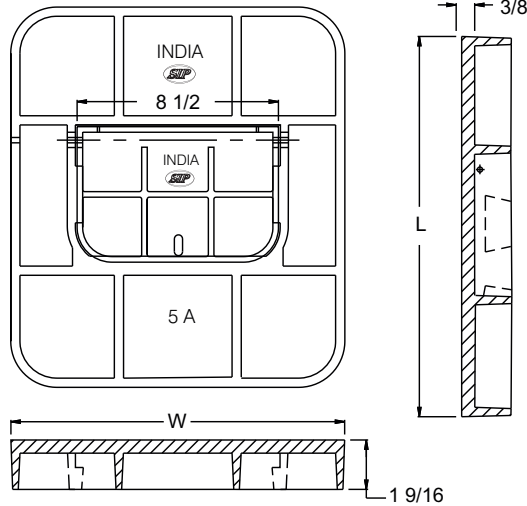
EQ. #11P METER BOX LID DROP IN LID



Material : Cast Iron, ASTM A48, Class 30B
Dimensions : All are in Inch

ITEM # : 2989 - 2999

EQ. 5A DUAL LID WITH SINGLE READER LID



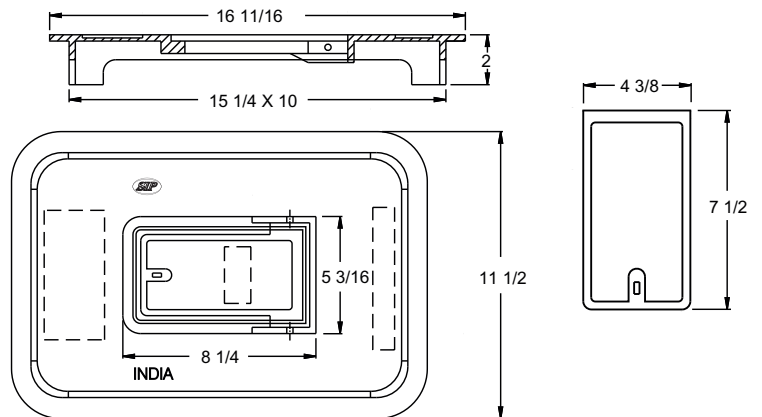
ITEM NO.	W	L
2989	23 1/4	13 3/4
2999	16 5/8	14 5/8

Material : Cast Iron, ASTM A48, Class 30B
Dimensions : All are in Inch

ITEM #	DESCRIPTION
2989	EQ. 5A DUAL BIG LID
2999	EQ. 5A DUAL SMALL LID

ITEM # : 3000 -3002

OVERLAPPING WATER METER LID

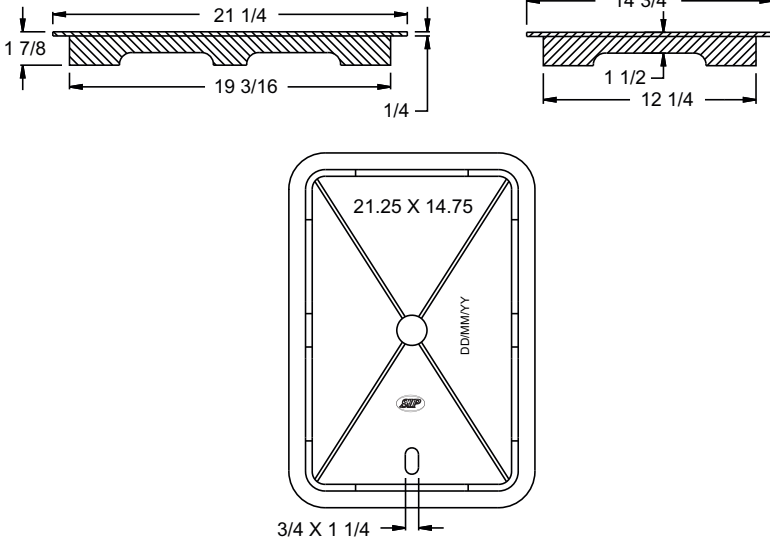


ITEM #	DESCRIPTION
3000	OVERLAPPING WATER METER LID W/ READER LID
3001	SOLID OVERLAPPING WATER METER LID
3002	OVERLAPPING WATER METER LID W/ 2" READER HOLE

Material : Cast Iron, ASTM A48, Class 30B
Dimensions : All are in Inch

OVERLAPPING ALABAMA LID EQ. LC2115

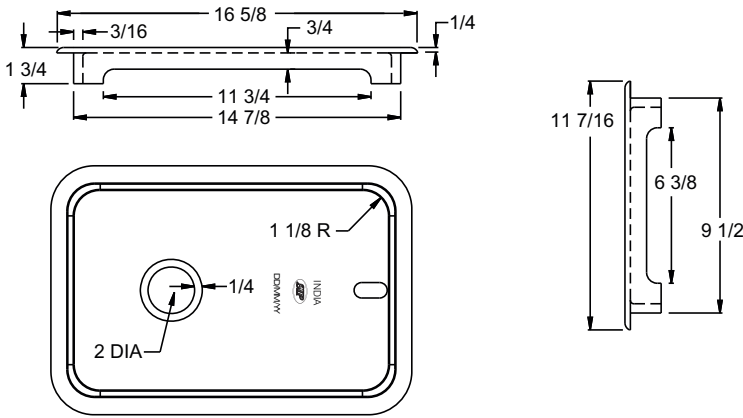
ITEM # : 3010



Material : Cast Iron, ASTM A48, Class 30B
Dimensions : All are in Inch

CAST IRON 290 LID EQ. LC223

ITEM # : 3020 - 3025

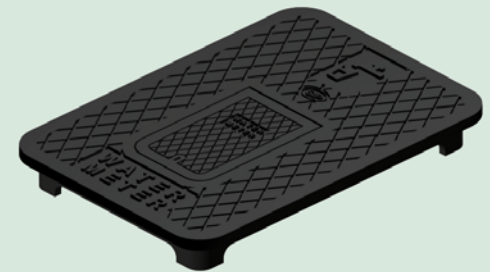
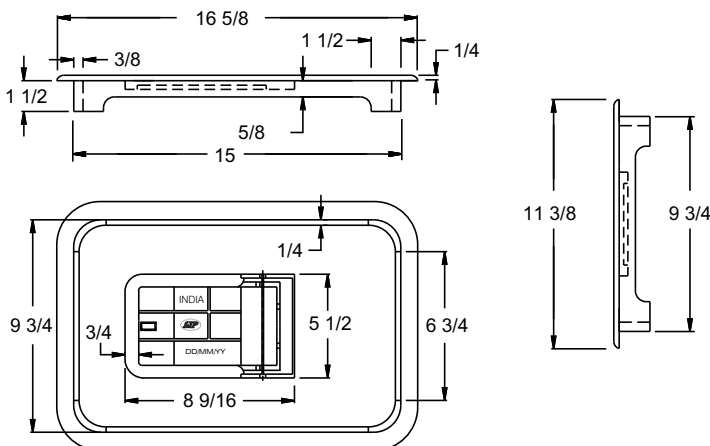


Material : Cast Iron, ASTM A48, Class 30B
Dimensions : All are in Inch

ITEM #	EQ. #	DESCRIPTION
3020	EQ. LC 223	CAST IRON 290 LID
3025	EQ. LC223T	CAST IRON 290 LID WITH READER HOLE

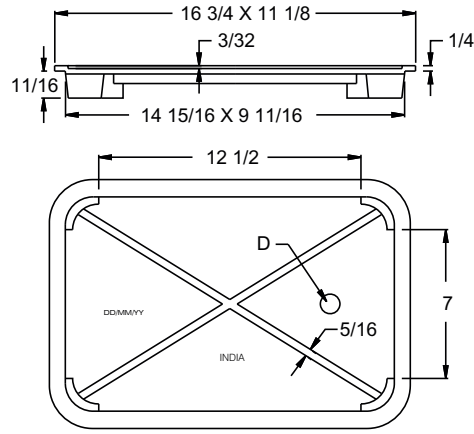
CAST IRON 291 LID WITH READER LID. EQ. LC225

ITEM # : 3030



Material : Cast Iron, ASTM A48, Class 30B
Dimensions : All are in Inch

ITEM # : 3035 - 3037 CAST IRON T-LID EQ. LC528

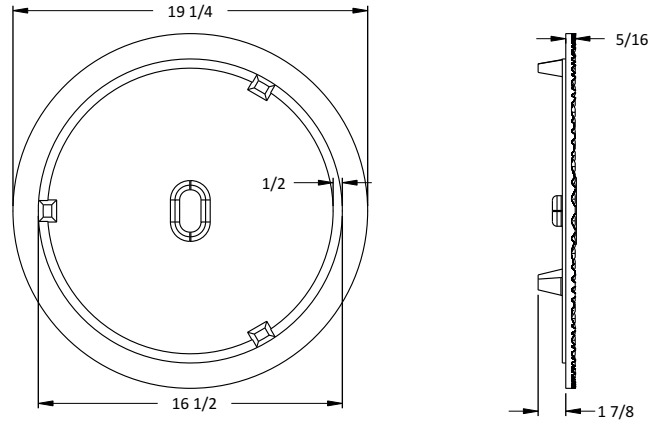
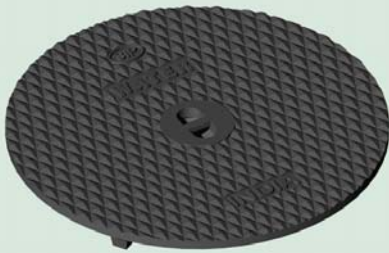


ITEM NO.	MARKINGS	DIA (D)
3035	WATER METER	1"
3036	SEWER	1"
3037	WATER METER	2"

Material : Cast Iron, ASTM A48, Class 30B
Dimensions : All are in Inch

ITEM #	EQ. #	DESCRIPTION
3035	EQ. LC528	CAST IRON T-LID
3036	EQ. LC528S	CAST IRON T-LID WITH READER HOLE
3037	EQ. LC528T	CAST IRON T-LID WITH READER HOLE

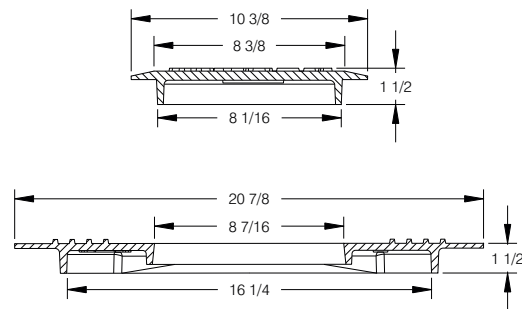
ITEM # : 3040 - 3041 METER TILE COVER EQ. LC-218



Material : Cast Iron, ASTM A48, Class 30B
Dimensions : All are in Inch

ITEM #	DESCRIPTION
3040	METER TILE COVER "WATER" EQ. LC-218
3041	METER TILE COVER "SEWER" EQ. LC-218

ITEM # : 3045 CI OUTER & INNER LID "WATER METER" EQ. LC-219

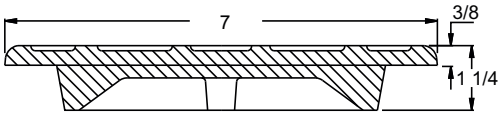


Material : Cast Iron, ASTM A48, Class 30B
Dimensions : All are in Inch

ITEM #	DESCRIPTION
3045	CI OUTER & INNER LID "WATER METER" EQ. LC-219
3045L	CI INNER LID ONLY "WATER METER" EQ. LC-219
3045R	CI OUTER LID ONLY "WATER METER" EQ. LC-219

PROPERTY OWNERS CUT OFF LID

ITEM # : 4006 - 4007



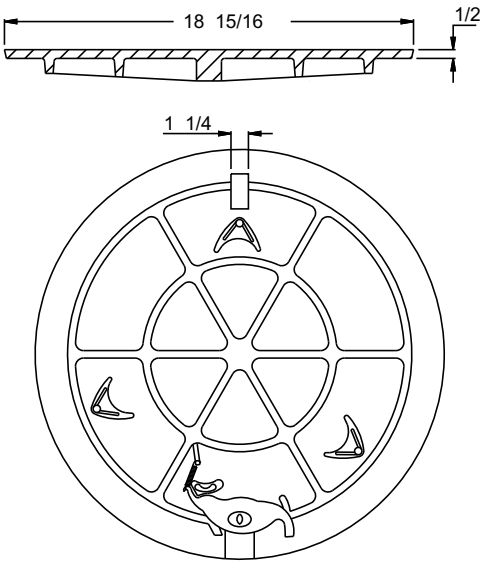
ITEM #	DESCRIPTION
4006	AUSTIN PROPERTY OWNERS CUT OFF
4007	TEXAS PROPERTY OWNERS CUT OFF



Material : Cast Iron, ASTM A48, Class 30B
Dimensions : All are in Inch

AUSTIN SPRING LID

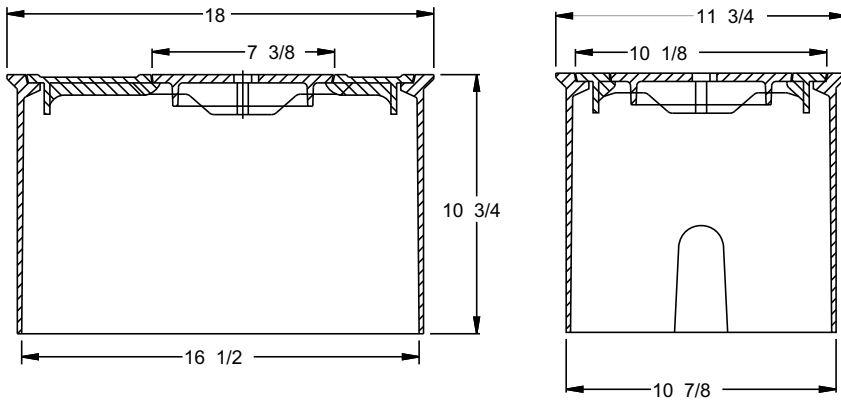
ITEM # : 4008



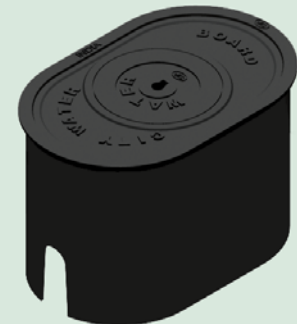
Material : Cast Iron, ASTM A48, Class 30B
Dimensions : All are in Inch

EQ. #15 SAN ANTONIO METER BOX, OVAL 3 PC.

ITEM # : 4220 - 4223



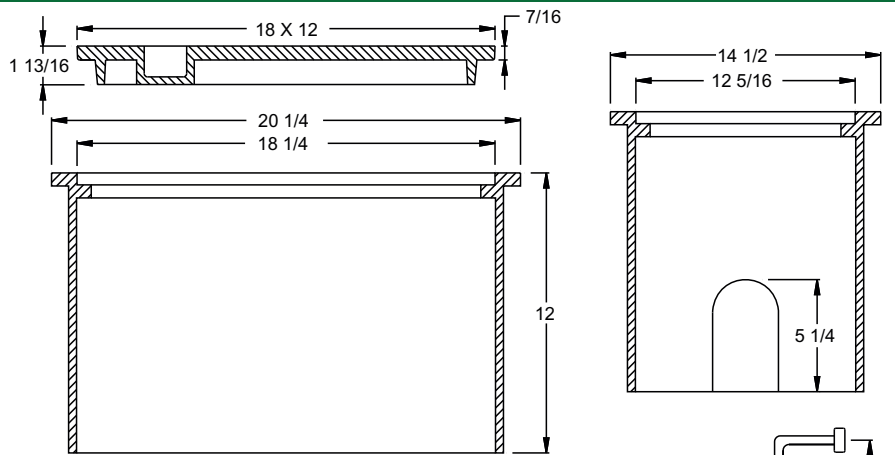
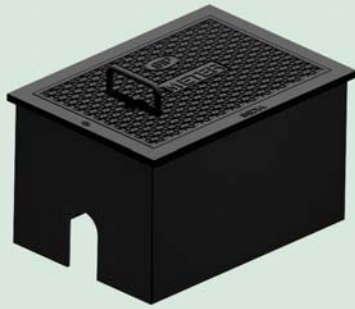
ITEM #	DESCRIPTION
4220	EQ. #15 SAN ANTONIO METER BOX , OVAL 3 PC.
4221	EQ. #15 SAN ANTONIO MBX LARGE OVAL LID ONLY
4222	EQ. #15 SAN ANTONIO MBX SMALL ROUND LID ONLY
4223	EQ. #15 SAN ANTONIO MBX BODY ONLY



Material : Cast Iron, ASTM A48, Class 30B
Dimensions : All are in Inch

ITEM # : 4230 - 4232

EQ. #1 SAN ANTONIO METER BOX 12" X 18" COMPLETE

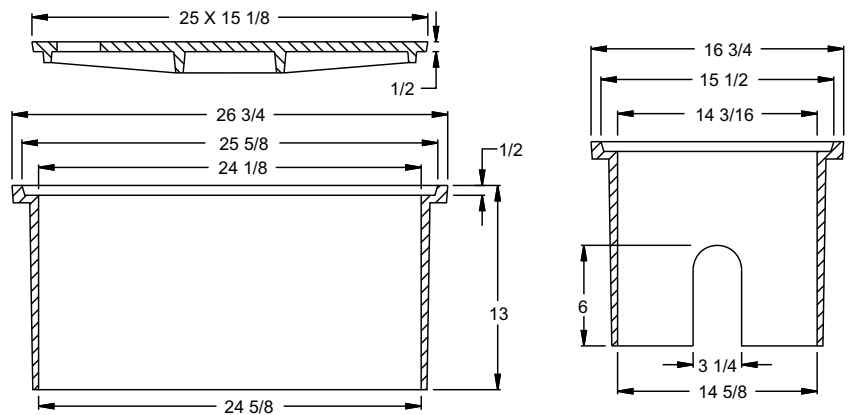
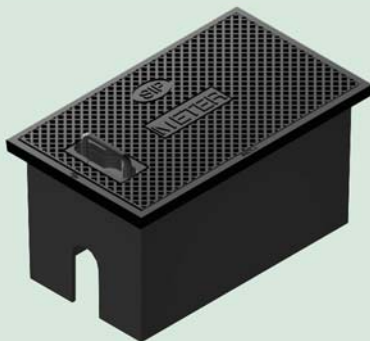


Material : Cast Iron, ASTM A48, Class 30B
Dimensions : All are in Inch

ITEM #	DESCRIPTION
4230	EQ. #1 SAN ANTONIO METER BOX 12" X 18" COMPLETE
4231	EQ. #1 SAN ANTONIO METER BOX 12" X 18" BODY ONLY
4232	EQ. #1 SAN ANTONIO METER BOX 12" X 18" LID ONLY

ITEM # : 4240 - 4242

SAN ANTONIO EQ. #2 METER BOX 15" X 25" COMPLETE

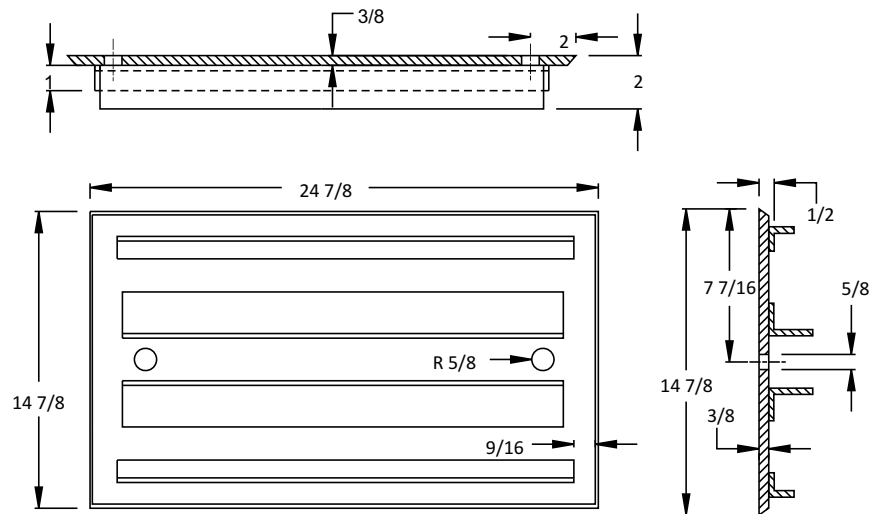


Material : Cast Iron, ASTM A48, Class 30B
Dimensions : All are in Inch

ITEM #	DESCRIPTION
4240	SAN ANTONIO EQ. #2 METER BOX 15" X 25" COMPLETE
4241	EQ. #2 METER BOX LID ONLY
4241V	EQ. #2 METER BOX LID ONLY MARKED VALVE
4242	EQ. #2 METER BOX BASE ONLY

ITEM # : 4243

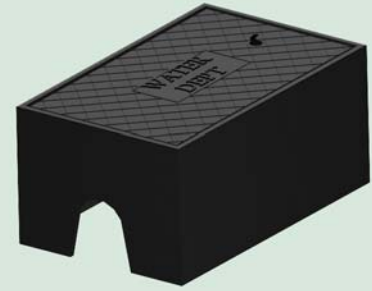
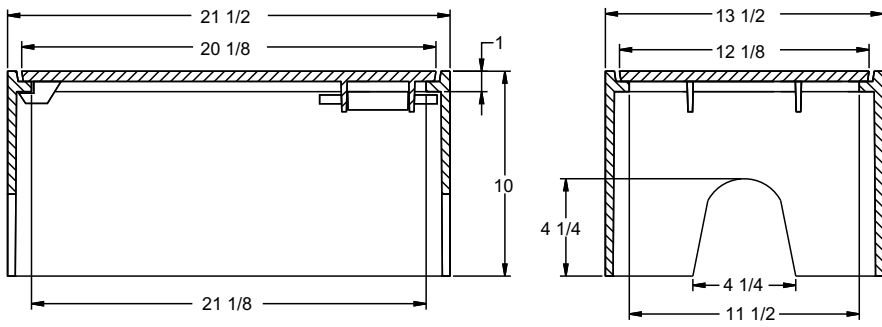
EQ. #2 METER BOX STEEL PLATE LID FABRICATED



Material : Steel Checkered Plate
Dimensions : All are in Inch

EQ. MBX 1010 W/LOCKING LID

ITEM # : 4290 - 4292

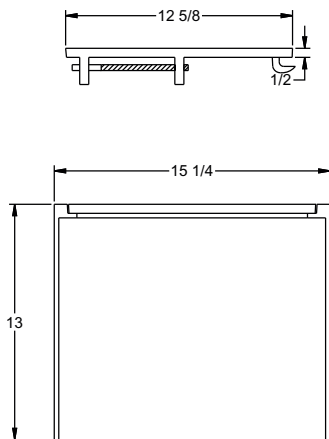


ITEM #	DESCRIPTION
4290	EQ. MBX 1010 W/LOCKING LID
4291	EQ. MBX 1010 LOCKING LID ONLY
4292	EQ. MBX 1010 BOTTOM ONLY

Material : Cast Iron, ASTM A48, Class 30B
Dimensions : All are in Inch

EQ. #318 OVAL METER BOX

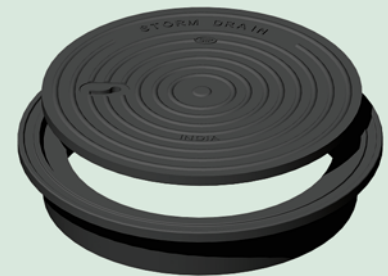
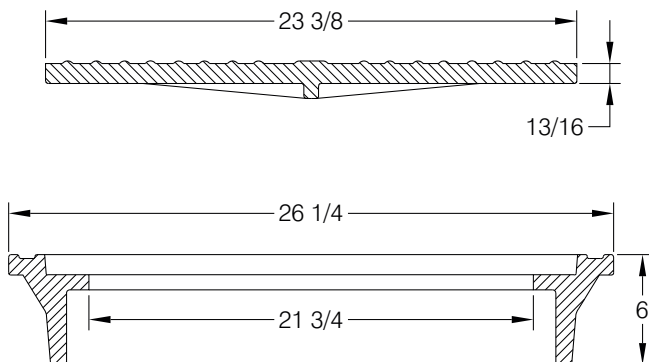
ITEM # : 4295



Material : Cast Iron, ASTM A48, Class 30B
Dimensions : All are in Inch

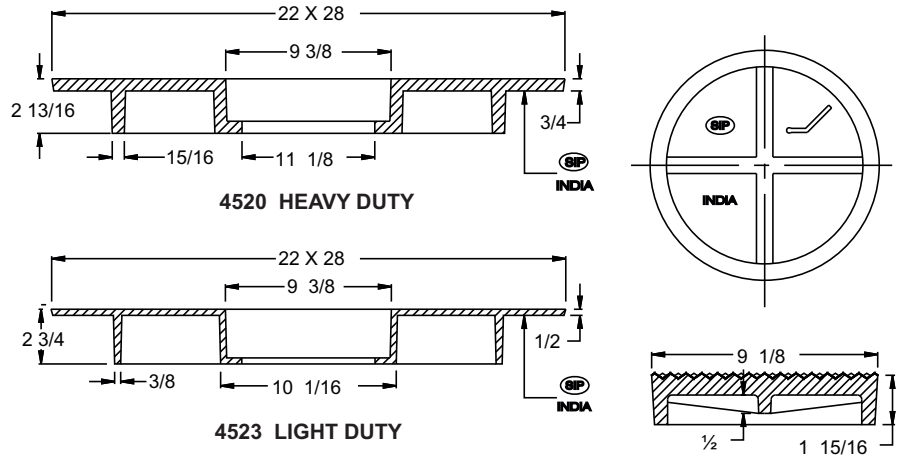
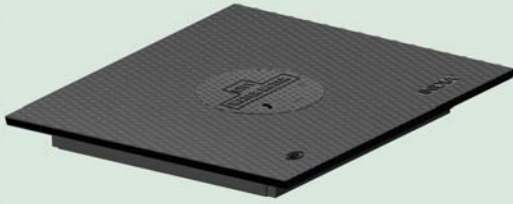
EQ. 226L RING & LID

ITEM # : 4380



Material : Cast Iron, ASTM A48, Class 30B
Dimensions : All are in Inch

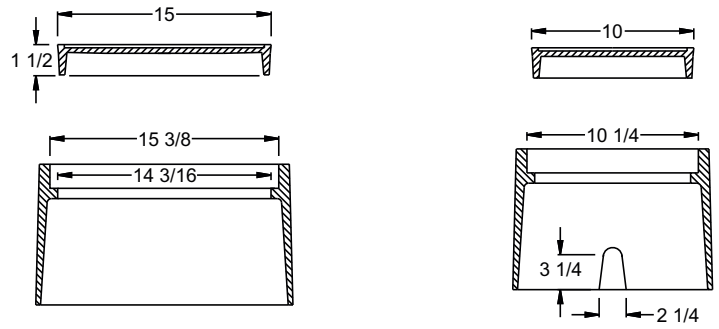
ITEM # : 4520 - 4523 ALBUQUERQUE METER BOX 22" X 28"



Material : Cast Iron, ASTM A48, Class 30B
Dimensions : All are in Inch

ITEM #	DESCRIPTION
4520	ALBUQUERQUE METER BOX HD 22" X 28"
4523	ALBUQUERQUE METER BOX LD 22" X 28"

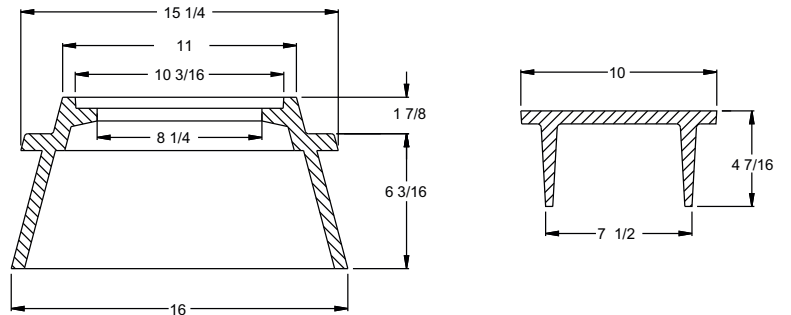
ITEM # : 4595 - 4597 MOBILE ALABAMA METER BOX



Material : Cast Iron, ASTM A48, Class 30B
Dimensions : All are in Inch

ITEM #	DESCRIPTION
4595	MOBILE ALABAMA METER BOX
4596	MOBILE ALABAMA METER BOX BODY ONLY
4597	MOBILE ALABAMA METER BOX LID ONLY "WATER METER"

ITEM # : 5000 - 5021 EQ. DTL 198 METER BOX (BODY & LID)

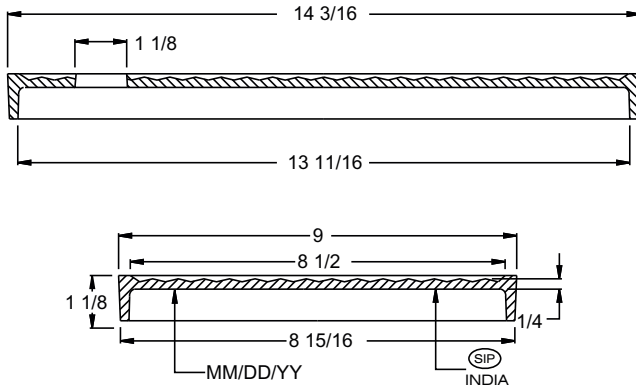


Material : Cast Iron, ASTM A48, Class 30B
Dimensions : All are in Inch

ITEM #	DESCRIPTION
5000	EQ. DTL 198 METER BOX WATER (BODY & LID)
5001	EQ. DTL 198 WATER LID ONLY
5002	EQ. DTL 198 BODY ONLY
5015	EQ. DTL 198 METER BOX SEWER (BODY & LID)
5016	EQ. DTL 198 SEWER LID ONLY
5021	EQ. DTL 198 SURVEY LID ONLY

EQ. AZ 100L METER BOX LID

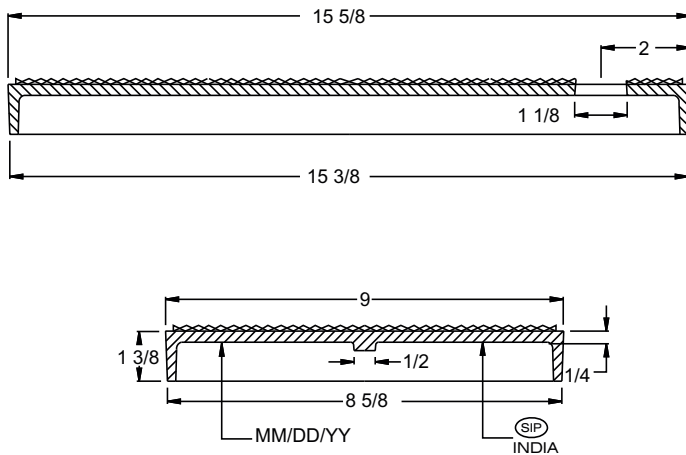
ITEM # : 5037



Material : Cast Iron, ASTM A48, Class 30B
Dimensions : All are in Inch

EQ. AZ 200L METER BOX LID

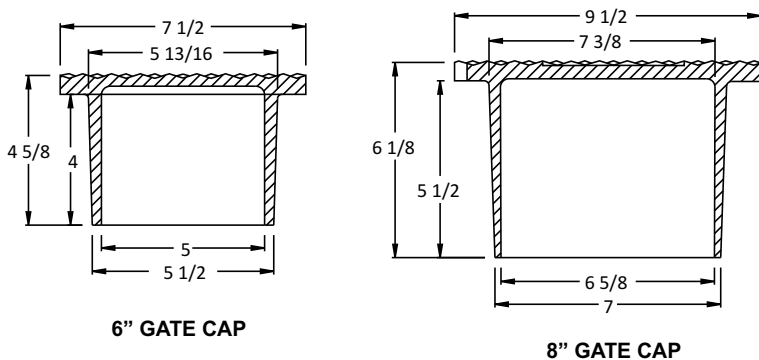
ITEM # : 5038



Material : Cast Iron, ASTM A48, Class 30B
Dimensions : All are in Inch

CI GATE CAP

ITEM # : 5050 - 5053



6" GATE CAP

8" GATE CAP

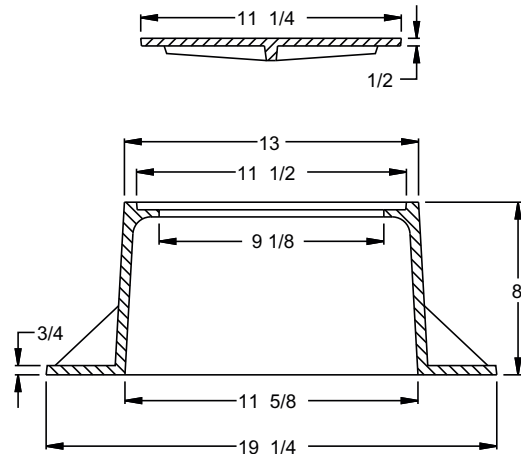
ITEM #	DESCRIPTION
5050	6" CI GATE CAP - WATER
5051	8" CI GATE CAP - WATER
5051N	8" GATE CAP GSWC WATER
5052	6" CI GATE CAP - GAS
5053	6" CI GATE CAP - SEWER



Material : Cast Iron, ASTM A48, Class 30B
Dimensions : All are in Inch

ITEM # : 5100

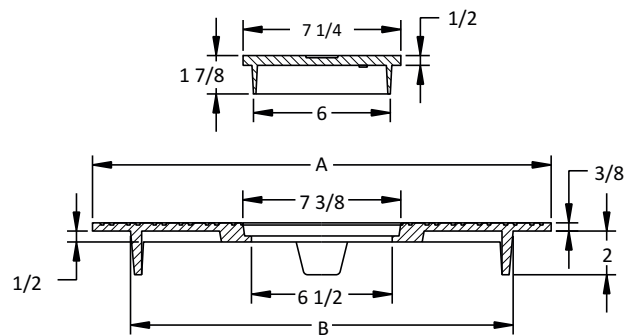
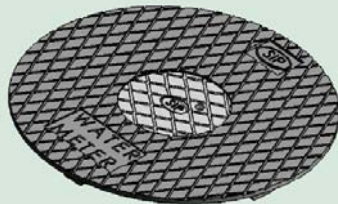
TULSA LAMP POLE BASE & LID



Material : Cast Iron, ASTM A48, Class 30B
Dimensions : All are in Inch

ITEM # : 5227 - 5229

FLAT LID WITH READER LID FOR PIT



Material : Cast Iron, ASTM A48, Class 30B
Dimensions : All are in Inch

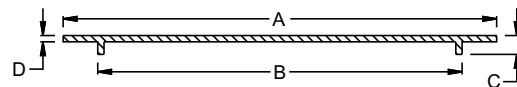
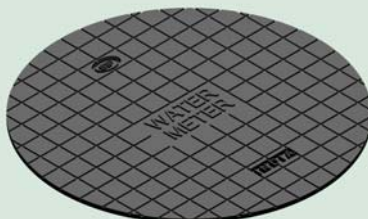
ITEM #
 5227
 5228
 5229

DESCRIPTION
 21" FLAT LID WITH READER LID FOR 18" PIT
 26 3/4" FLAT LID WITH READER LID FOR 24" PIT
 INNER LID FOR DROP IN METER LID

ITEM NO.	A	B
5227	21	17 1/8
5228	26 3/4	23 1/2

ITEM # : 5230 - 5236

KANSAS LID



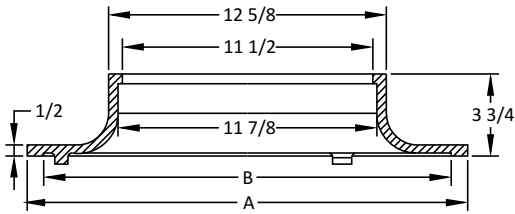
ITEM NO.	EQ. NO.	A	B	C	D
5230	W 1701	17 1/4	14 1/2	3/4	1/4
5232	W 2075	20 3/4	17 1/2	7/8	5/16
5234	W 2275	23 5/16	19 9/16	3/4	5/16
5236	W 2675	26 3/4	23 1/2	1	1/2

ITEM #	DESCRIPTION
5230	15" KANSAS LID
5232	18" KANSAS LID
5232S	18" KANSAS LID 'SEWER'
5233	18" KANSAS LID WITH READER HOLE
5234	20" KANSAS LID
5236	24" KANSAS LID
5236H	24" KANSAS LID WITH READER HOLE

Material : Cast Iron, ASTM A48, Class 30B
Dimensions : All are in Inch

RAISED RING ONLY FOR METER PIT

ITEM # : 5238 - 5240



ITEM NO.	A	B
5238	24 13/16	23 1/2
5239	27	25 3/4
5240	20	18 1/2

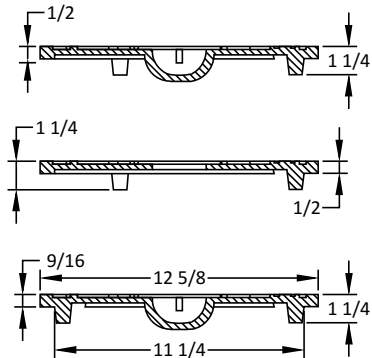


ITEM #	DESCRIPTION
5238	24" RAISED RING ONLY FOR 21" METER PIT
5239	27" RAISED RING ONLY FOR 24" METER PIT
5240	20" RAISED RING ONLY FOR 18" METER PIT

Material : Cast Iron, ASTM A48, Class 30B
 Dimensions : All are in Inch

LID ONLY FOR RAISED D RING

ITEM # : 5241 - 5243

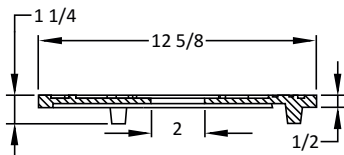


ITEM #	DESCRIPTION
5241	12.5" LID ONLY FOR RAISE D RINGS
5242	12.5" LID ONLY FOR RAISE RING WITH READER HOLE
5243	WATER METER COVER W/SOLI D RIM FOR 18"RAISED RING

Material : Cast Iron, ASTM A48, Class 30B
 Dimensions : All are in Inch

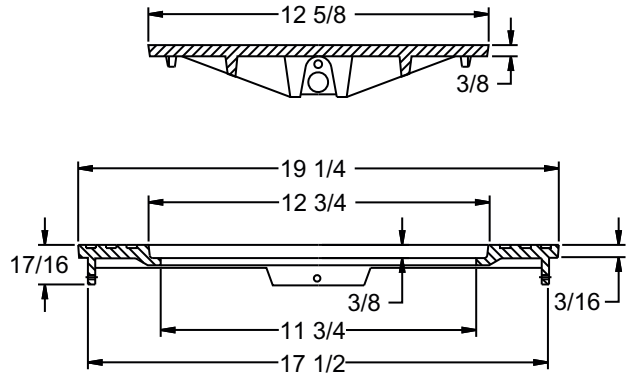
CITY OF DERBY LID ONLY 2" HOLE

ITEM # : 5245



Material : Cast Iron, ASTM A48, Class 30B
 Dimensions : All are in Inch

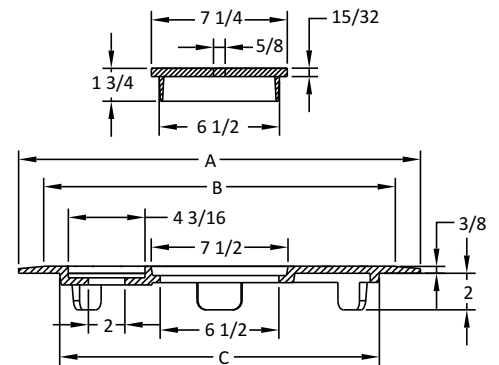
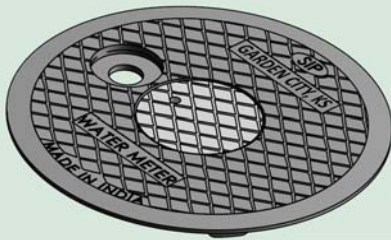
ITEM # : 5247 - 5249 CITY OF NEWTON RING AND LID



Material : Cast Iron, ASTM A48, Class 30B
Dimensions : All are in Inch

ITEM #	DESCRIPTION
5247	CITY OF NEWTON RING/LID WITH READER HOLE
5249	CITY OF NEWTON RING/LID SOLID

ITEM # : 5250 - 5253 GARDEN CITY LID

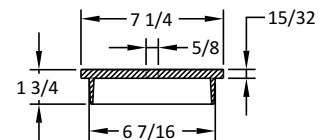
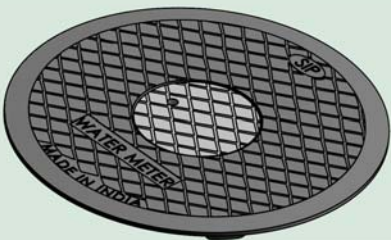


Material : Cast Iron, ASTM A48, Class 30B
Dimensions : All are in Inch

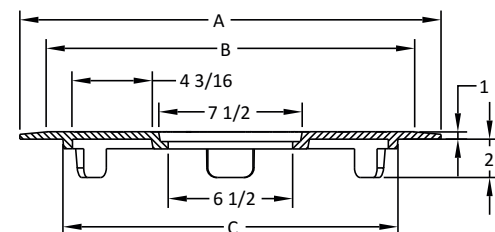
ITEM #	DESCRIPTION
5250	18" GARDEN CITY LID
5250OL	18" GARDEN CITY OUTER LID ONLY
5251	20" GARDEN CITY LID
5251OL	20" GARDEN CITY OUTER LID ONLY
5252	24" GARDEN CITY LID
5252OL	24" GARDEN CITY OUTER LID ONLY
5253	SMALL INNER LID FOR GARDEN CITY

ITEM NO.	A	B	C
5250	22	19 1/4	17 1/2
5251	24	21 1/4	20
5252	28	25 1/4	23 1/4

ITEM # : 5254 - 5256 DROP-IN METER LID W/7.5" INNER LID SOLID



ITEM NO.	A	B	C
5254	22	19 1/4	17 1/2
5255	24	21 1/4	19 1/2
5256	28	25 1/4	23 1/4



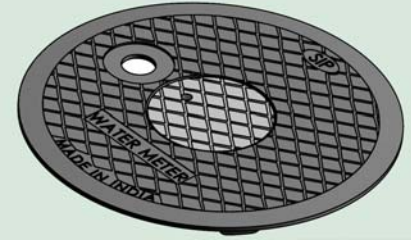
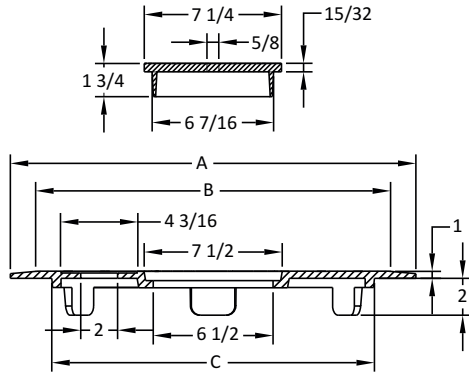
ITEM #	DESCRIPTION
5254	18" DROP-IN METER LID W/ 7.5" INNER LID SOLID
5254OL	18" DROP-IN METER OUTER LID ONLY SOLID
5255	20" DROP-IN METER LID W/ 7.5" INNER LID SOLID
5255OL	20" DROP-IN METER OUTER LID ONLY SOLID
5256	24" DROP-IN METER LID W/ 7.5" INNER LID SOLID
5256OL	24" DROP-IN METER OUTER LID ONLY SOLID

Material : Cast Iron, ASTM A48, Class 30B
Dimensions : All are in Inch

DROP-IN METER LID W/7.5" INNER LID W/2" AMR

ITEM # : 5257 - 5259

ITEM NO.	A	B	C
5257	22	19 1/4	17 1/2
5258	24	21 1/4	19 1/2
5259	28	25 1/4	23 1/4

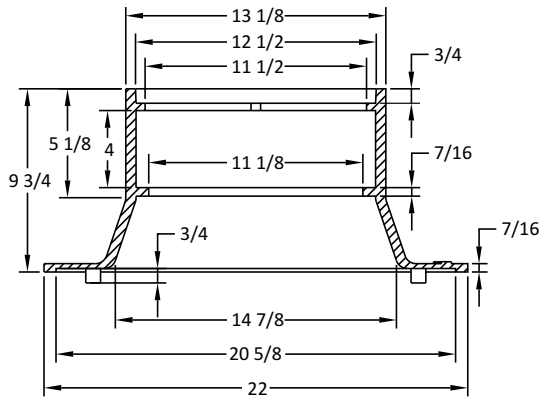


- | ITEM # | DESCRIPTION |
|--------|--|
| 5257 | 18" DROP-IN METER LID W/ 7.5" INNER LID W/2" AMR |
| 5257OL | 18" DROP-IN METER OUTER LID ONLY W/2" AMR |
| 5258 | 20" DROP-IN METER LID W/ 7.5" INNER LID W/2" AMR |
| 5258OL | 20" DROP-IN METER OUTER LID ONLY W/2" AMR |
| 5259 | 24" DROP-IN METER LID W/ 7.5" INNER LID W/2" AMR |
| 5259OL | 24" DROP-IN METER OUTER LID ONLY W/2" AMR |

Material : Cast Iron, ASTM A48, Class 30B
 Dimensions : All are in Inch

EQ. SIGMA MBSW3/EQ. FORD W3 22"

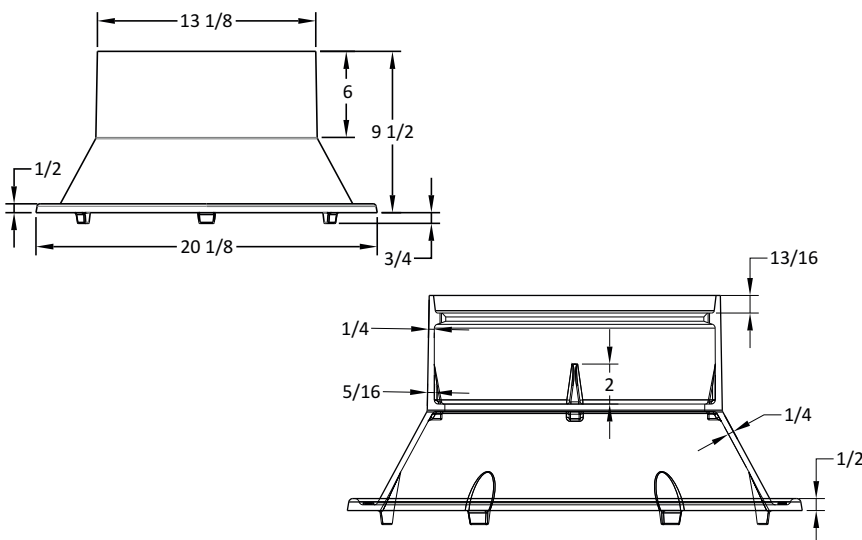
ITEM # : 5260



Material : Cast Iron, ASTM A48, Class 30B
 Dimensions : All are in Inch

EQ. SIGMA MBSW2/EQ FORD W32 20"

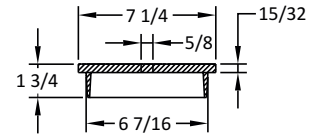
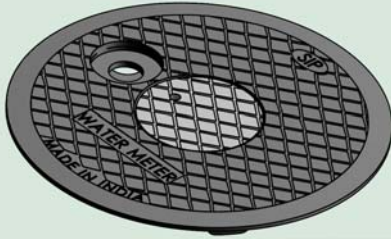
ITEM # : 5262



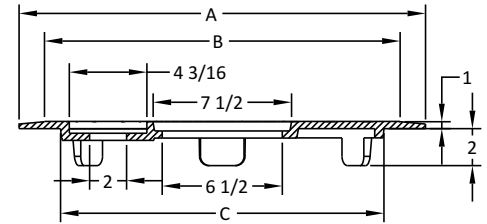
Material : Cast Iron, ASTM A48, Class 30B
 Dimensions : All are in Inch

ITEM # : 5265 - 5267

DROP-IN METER LID W/7.5" LID W/2" RECESS AMR



ITEM NO.	A	B	C
5257	22	19 1/4	17 1/2
5258	24	21 1/4	19 1/2
5259	28	25 1/4	23 1/4

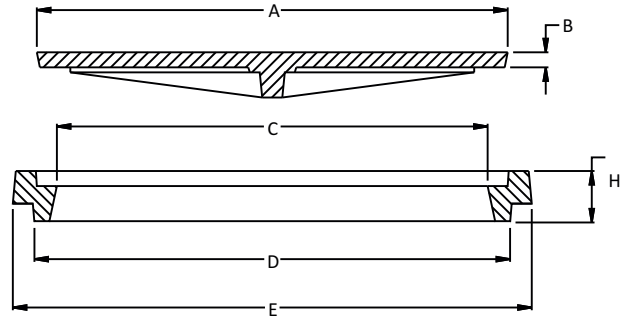


ITEM #	DESCRIPTION
5265	18" DROP-IN METER LID W/ 7.5" LID W/2" RECESS AMR
5265OL	18" DROP-IN METER OUTER LID ONLY W/2" RECESS AMR
5266	20" DROP-IN METER LID W/ 7.5" LID W/2" RECESS AMR
5266OL	20" DROP-IN METER OUTER LID ONLY W/2" RECESS AMR
5267	24" DROP-IN METER LID W/ 7.5" LID W/2" RECESS AMR
5267OL	24" DROP-IN METER OUTER LID ONLY W/2" RECESS AMR

Material : Cast Iron, ASTM A48, Class 30B
Dimensions : All are in Inch

ITEM # : 5300 - 5305

NON-TRAFFIC F&G, TENNESSEE



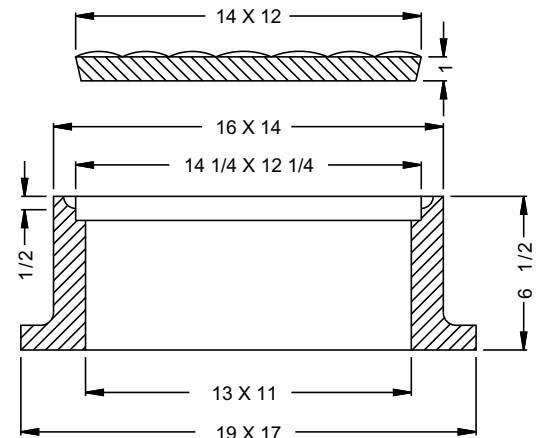
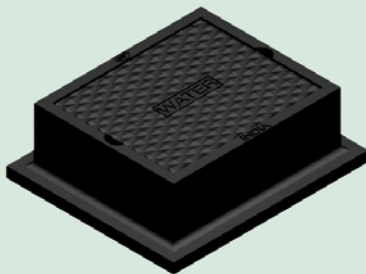
ITEM NO.	EQ. NO.	A	B	C	D	E	H
5300	V8438	21 3/4 X 13 3/4	5/8	12 X 20	14 X 21 3/4	16 X 24	2 1/4
5305	V8435	31 1/2 X 14 1/2	5/8	13 X 30	14 1/2 X 31 1/4	16 3/4 X 33 3/4	2 1/2

ITEM #	DESCRIPTION
5300	NON-TRAFFIC F&G 13 3/4" X 21 3/4", TENNESSEE
5305	NON-TRAFFIC F&G 14 1/2" X 31 1/2", TENNESSEE

Material : Cast Iron, ASTM A48, Class 30B
Dimensions : All are in Inch

ITEM # : 5310 - 5311

EQ. AC 901 METER BOX

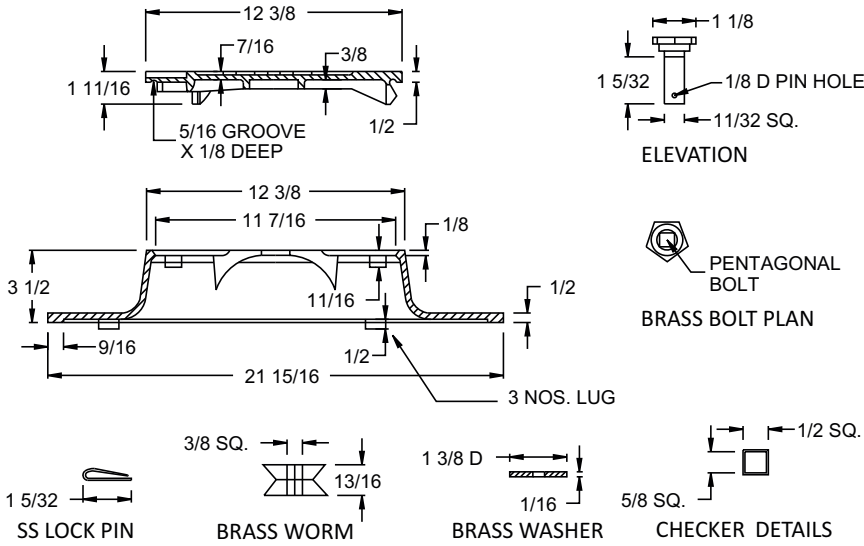


ITEM #	DESCRIPTION
5310	EQ. AC 901 METER BOX (WATER)
5311	EQ. AC 901 METER BOX (SEWER)

Material : Cast Iron, ASTM A48, Class 30B
Dimensions : All are in Inch

EQ. FORD C3 METER BOX SOLID

ITEM # : 5350

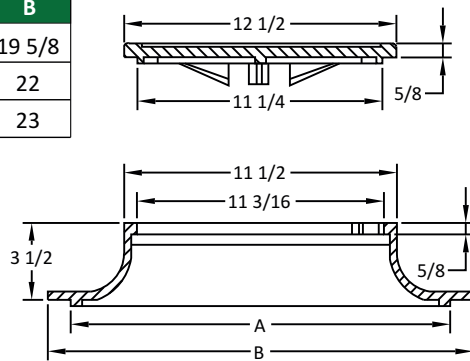


Material : Cast Iron, ASTM A48, Class 30B
Dimensions : All are in Inch

WATER METER PIT COVERS

ITEM # : 5450 - 5454

ITEM NO.	EQ. NO.	A	B
5450	L-2240	17 3/8	19 5/8
5452	L-2242	19 1/2	22
5454	L-2244	20 1/2	23

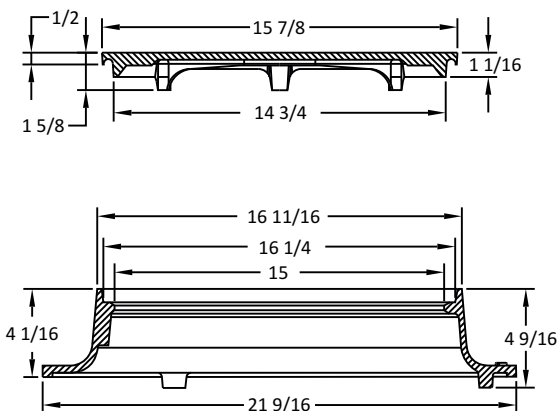


ITEM #	DESCRIPTION
5450	20" WATER METER PIT COVERS EQ. L2240
5452	22" WATER METER PIT COVERS EQ. L2242
5454	23" WATER METER PIT COVERS EQ. L2244

Material : Cast Iron, ASTM A48, Class 30B
Dimensions : All are in Inch

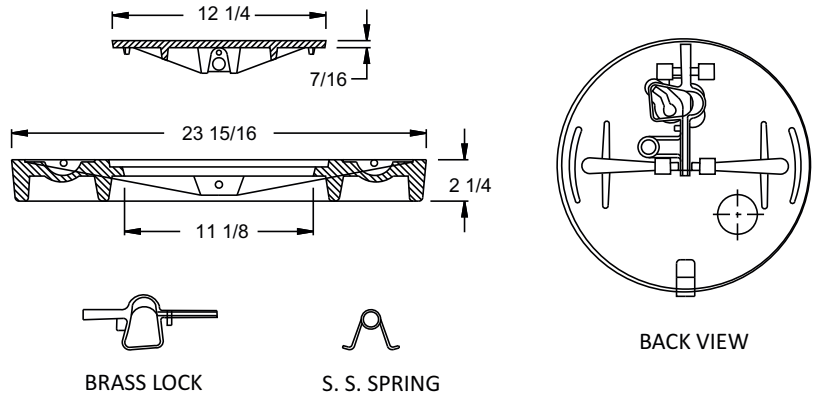
15.88" PORTLAND WATER METER PIT

ITEM # : 5456



Material : Cast Iron, ASTM A48, Class 30B
Dimensions : All are in Inch

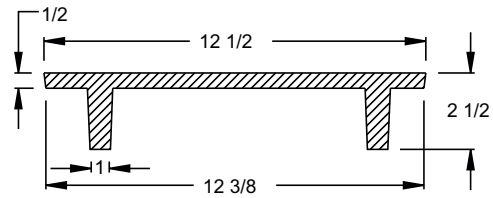
ITEM # : 5605 - 5606 EQ. #316 - 2 PC. INNER LID AND OUTER LID.



Material : Cast Iron, ASTM A48, Class 30B
Dimensions : All are in Inch

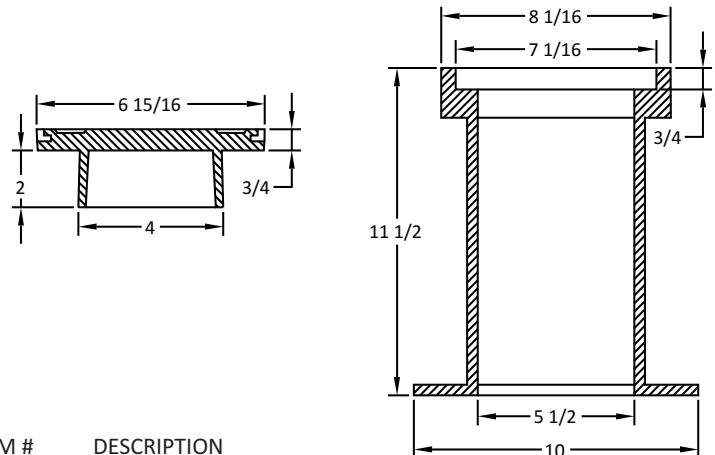
ITEM #	DESCRIPTION
5605	EQ. #316 - 2PC. LID INNER & OUTER LID
5606	EQ. #316 - 2PC. INNER LID WITH LOCK

ITEM # : 5615 MARTA LID EQ. #316 - WATER METER



Material : Cast Iron, ASTM A48, Class 30B
Dimensions : All are in Inch

ITEM # : 5700 -5702 WILMINGTON CLEAN OUT BOX & LID

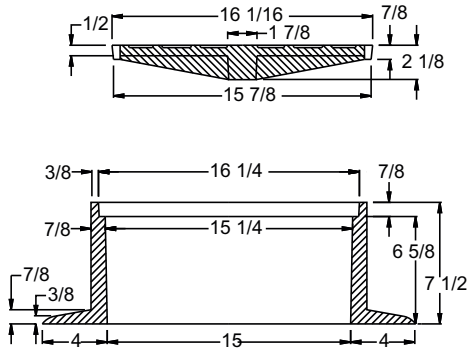


ITEM #	DESCRIPTION
5700	WILMINGTON CLEAN OUT BOX & LID
5701	WILMINGTON CLEAN OUT BODY ONLY
5702	WILMINGTON CLEAN OUT LID ONLY

Material : Cast Iron, ASTM A48, Class 30B
Dimensions : All are in Inch

WILMINGTON MONUMENT BOX

ITEM # : 5705 - 5707

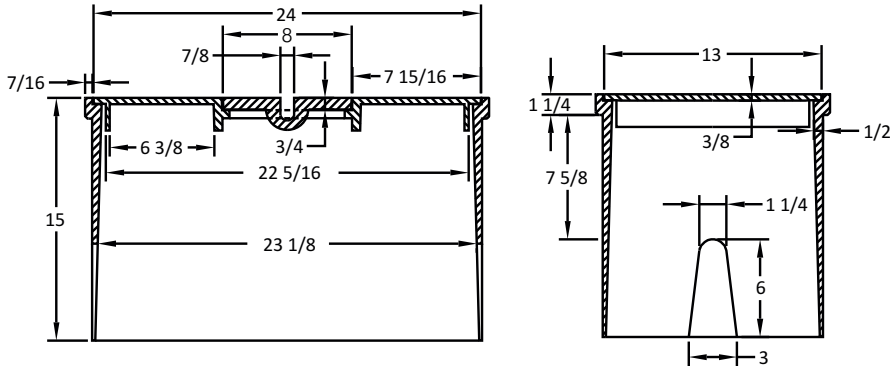


ITEM #	DESCRIPTION
5705	WILMINGTON MONUMENT BOX
5706	WILMINGTON MONUMENT BODY ONLY
5707	WILMINGTON MONUMENT LID ONLY

Material : Cast Iron, ASTM A48, Class 30B
 Dimensions : All are in Inch

WINSTON SALEM METER BOX - EQ. MB2

ITEM # : 5708 - 5709

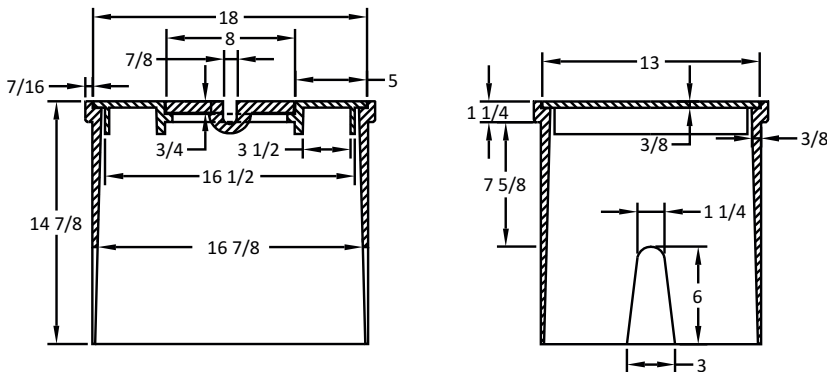


ITEM #	DESCRIPTION
5708	WINSTON SALEM METER BOX - EQ. MB2
5708OL	WINSTON SALEM METER BOX OUTER LID ONLY - EQ. MB2
5709	WINSTON SALEM METER BOX BODY ONLY - EQ. MB2
5713	WINSTON SALEM METER BOX INNER LID ONLY - EQ. MB1/MB2

Material : Cast Iron, ASTM A48, Class 30B
 Dimensions : All are in Inch

WINSTON SALEM METER BOX - EQ. MB1

ITEM # : 5710 - 5713

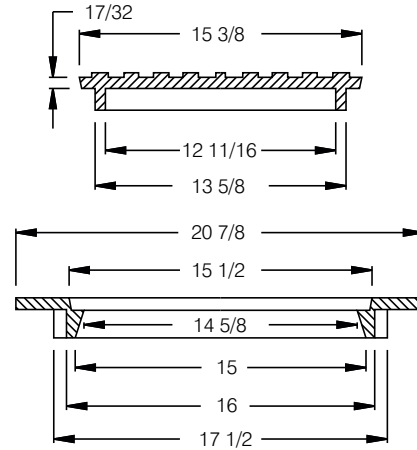


ITEM #	DESCRIPTION
5710	WINSTON SALEM METER BOX - EQ. MB1
5711	WINSTON SALEM METER BOX BODY ONLY - EQ. MB1
5712	WINSTON SALEM METER BOX OUTER LID ONLY - EQ. MB1
5713	WINSTON SALEM METER BOX INNER LID ONLY - EQ. MB1/MB2

Material : Cast Iron, ASTM A48, Class 30B
 Dimensions : All are in Inch

ITEM # : 5730

ASHEVILLE RING & LID

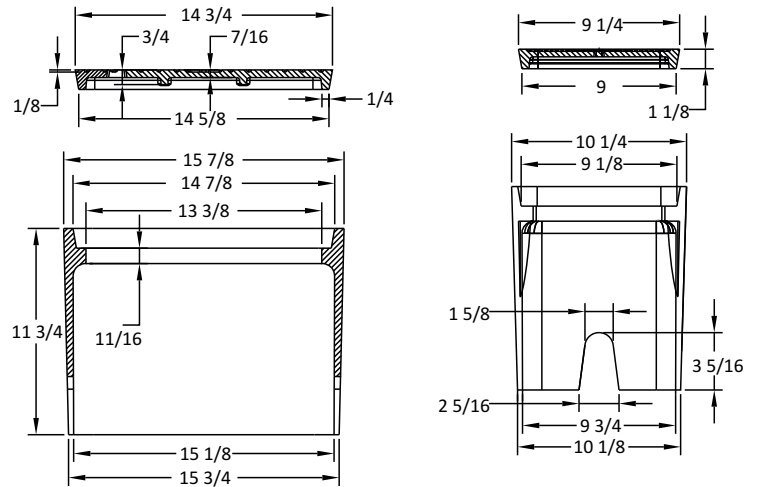


Material : Cast Iron, ASTM A48, Class 30B
Dimensions : All are in Inch

ITEM #	DESCRIPTION
5730	ASHEVILLE RING & LID W/ READER HOLE
5730S	ASHEVILLE RING & LID W/ SOLID LID

ITEM # : 5780

EQ. 1M BOX AND LID

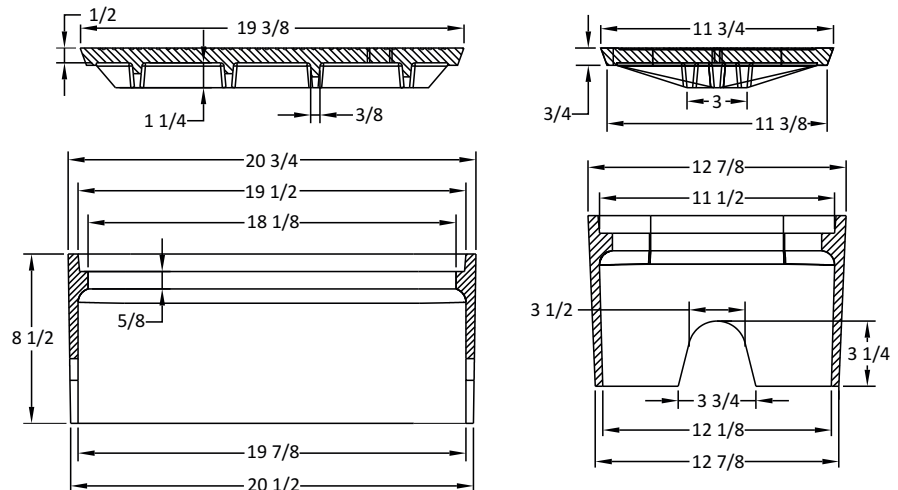


Material : Cast Iron, ASTM A48, Class 30B
Dimensions : All are in Inch

ITEM #	DESCRIPTION
5780	EQ. 1M BOX AND LID
5780B	EQ. 1M BOX ONLY
5780L	EQ. 1M BOX LID ONLY

ITEM # : 5782

EQ. 2M BOX AND LID

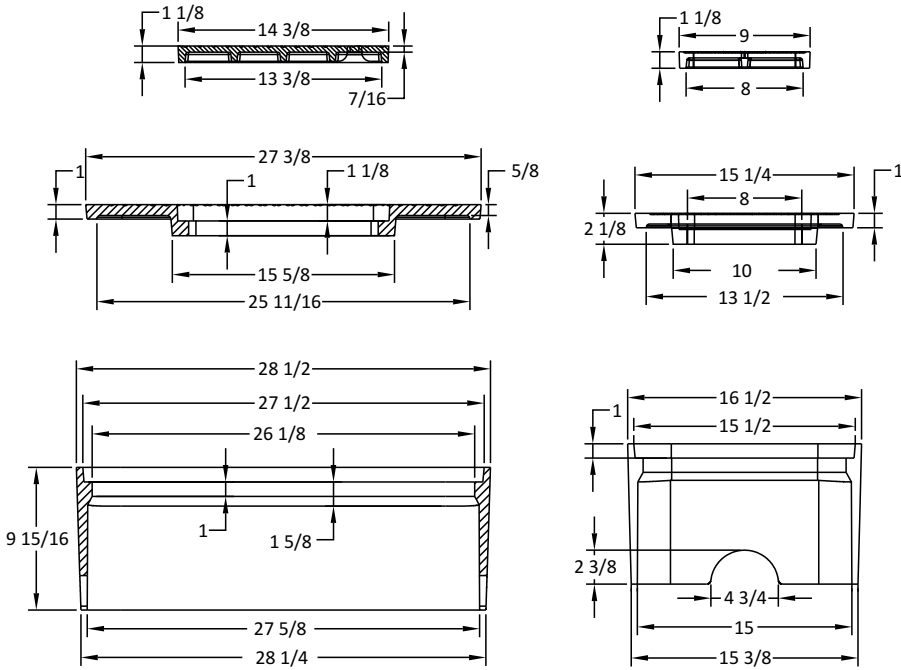


Material : Cast Iron, ASTM A48, Class 30B
Dimensions : All are in Inch

ITEM #	DESCRIPTION
5782	EQ. 2M BOX AND LID
5782B	EQ. 2M BOX ONLY
5782L	EQ. 2M BOX LID ONLY

EQ. 3M BOX AND LID

ITEM # : 5786

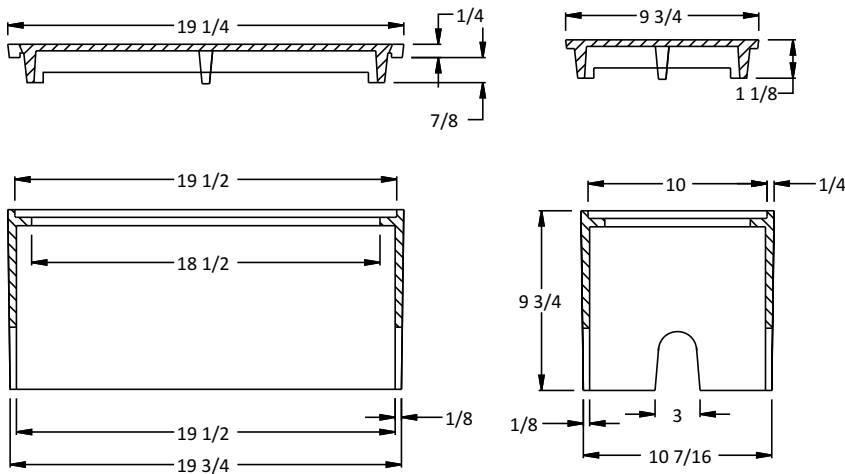


ITEM #	DESCRIPTION	ITEM #	DESCRIPTION
5786	EQ. 3M BOX AND LID	5786I	EQ. 3M INNER LID ONLY
5786B	EQ. 3M BOX ONLY	5786O	EQ. 3M OUTER LID ONLY

Material : Cast Iron, ASTM A48, Class 30B
Dimensions : All are in Inch

ROME BOX COMPLETE

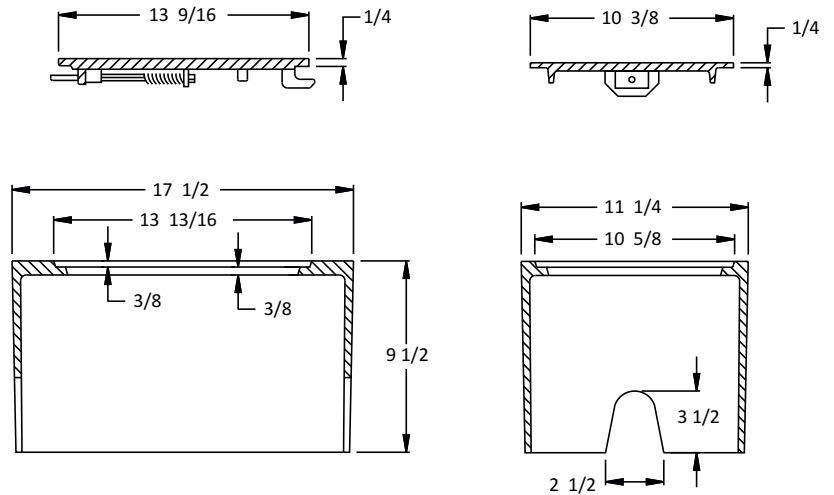
ITEM # : 6396 - 6400



ITEM #	DESCRIPTION
6396	ROME BOX COMPLETE WITH READER HOLE LID
6397	ROME BOX BODY ONLY
6398	ROME BOX LID ONLY WITH READER HOLE
6399	ROME BOX LID ONLY
6400	ROME BOX COMPLETE

Material : Cast Iron, ASTM A48, Class 30B
Dimensions : All are in Inch

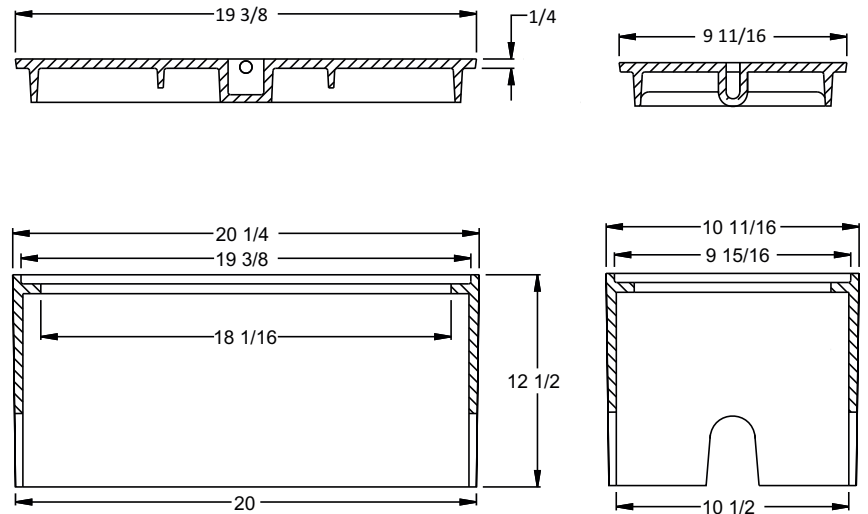
ITEM # : 6401 - 6407 OVAL METER BOX EQ. B85 / B86



ITEM #	DESCRIPTION
6401	OVAL BODY ONLY FOR EQ. B85 OR B86
6402	EQ. B85 OVAL BODY W/ LOCKING LID
6403	EQ. B86 OVAL BODY W/ PLAIN LID ONLY
6404	LOCKING LID ONLY FOR EQ. B85 OVAL BODY
6405	PLAIN LID ONLY FOR EQ. B86 OVAL BODY
6406	EQ. B85 OVAL BODY W/ KEYHOLE LID
6406L	EQ. B86 OVAL BODY KEYHOLE LID ONLY
6407	EQ. B85 LOCKING LID ONLY W/ RH FOR OVAL BODY

Material : Cast Iron, ASTM A48, Class 30B
Dimensions : All are in Inch

ITEM # : 6408 - 6413 METER BOX MBX - EQ. #1

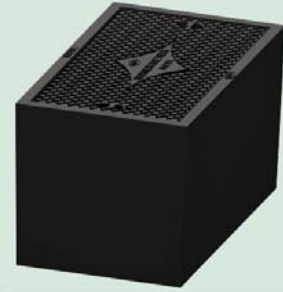
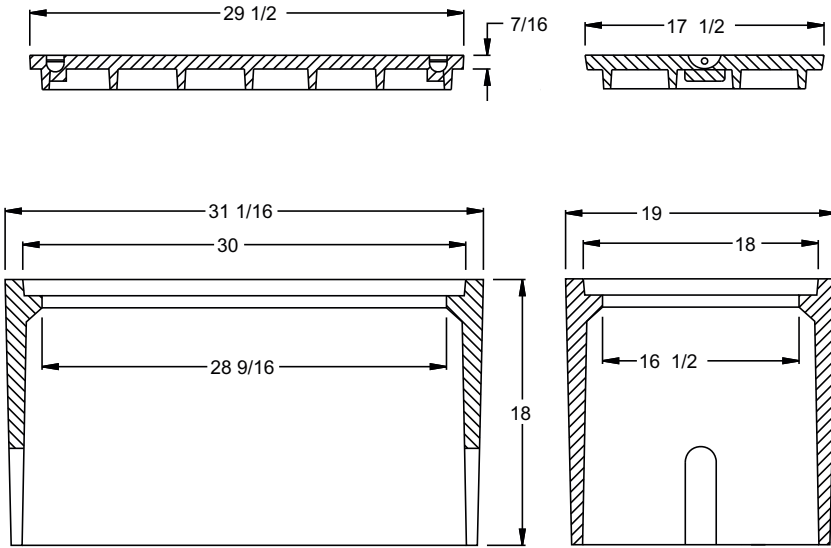


ITEM #	DESCRIPTION
6408	EQ. MBX-1 COMPLETE SET
6409	EQ. MBX-1 LID ONLY
6413	EQ. MBX-1 COMPLETE SET WITH R HOLE
6413L	EQ. MBX-1 LID ONLY WITH READER HOLE

Material : Cast Iron, ASTM A48, Class 30B
Dimensions : All are in Inch

METER BOX EQ. MBX - 5A JUMBO

ITEM # : 6410

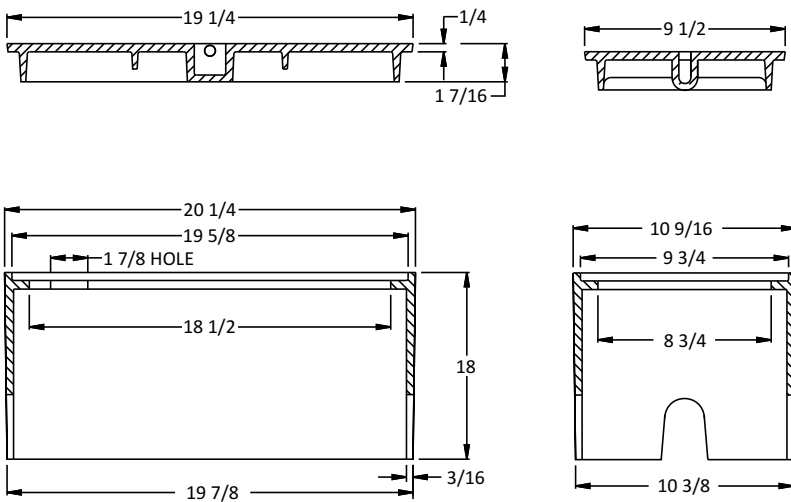


ITEM #	DESCRIPTION
6410	METER BOX EQ. MBX-5A JUMBO
6410B	METER BOX EQ. MBX-5A JUMBO BODY ONLY
6410L	METER BOX EQ. MBX-5A JUMBO LID ONLY

Material : Cast Iron, ASTM A48, Class 30B
Dimensions : All are in Inch

METER BOX EQ. MBX - #2

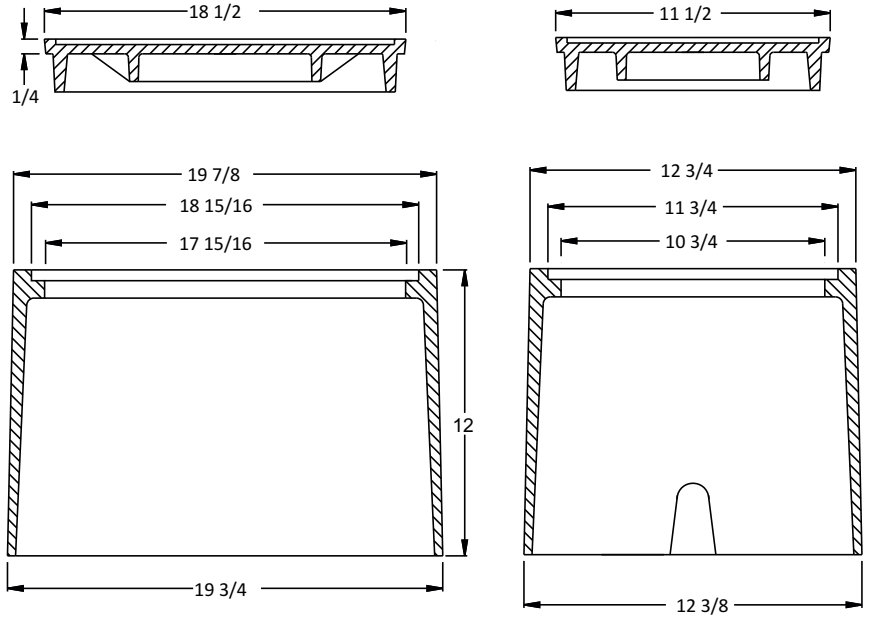
ITEM # : 6411 - 6414



ITEM #	DESCRIPTION
6411	METER BOX EQ. MBX - 2 COMPLETE SET
6412	METER BOX EQ. MBX - 2 COMPLETE WITH READER HOLE
6414	METER BOX EQ. MBX - 2 BODY ONLY

Material : Cast Iron, ASTM A48, Class 30B
Dimensions : All are in Inch

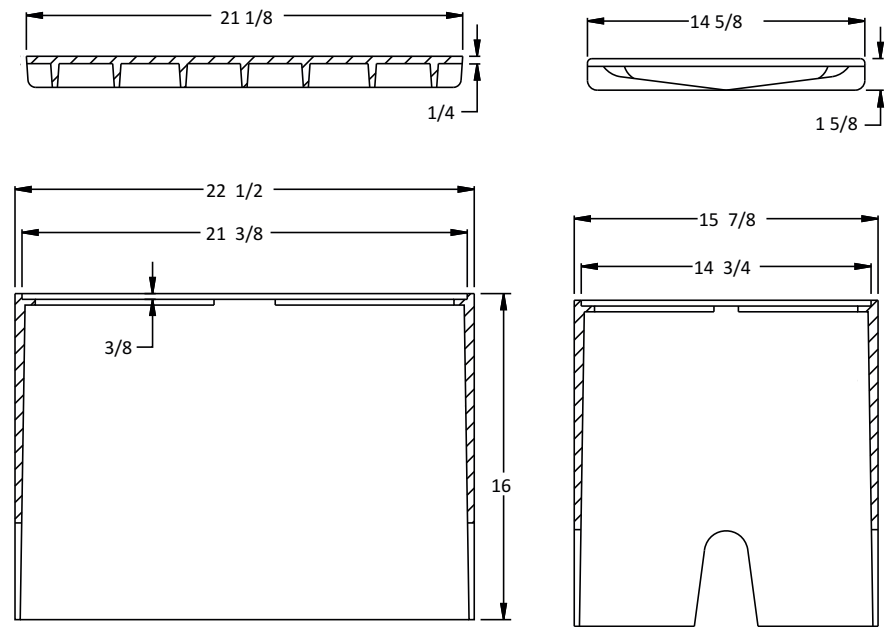
ITEM # : 6415 - 6417 SCOFIELD METER BOX



Material : Cast Iron, ASTM A48, Class 30B
Dimensions : All are in Inch

ITEM #	DESCRIPTION
6415	SCOFIELD METER BOX
6416	SCOFIELD METER BOX BASE ONLY
6417	SCOFIELD METER BOX LID ONLY
6417S	SCOFIELD METER BOX LID ONLY 'SEWER'

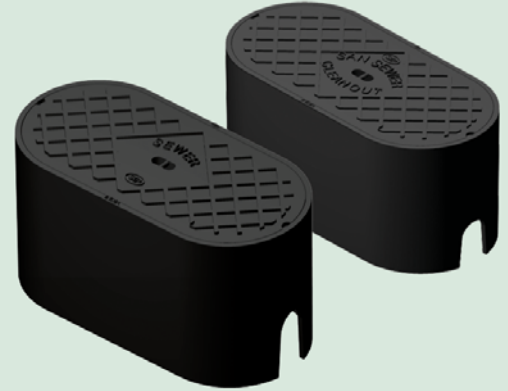
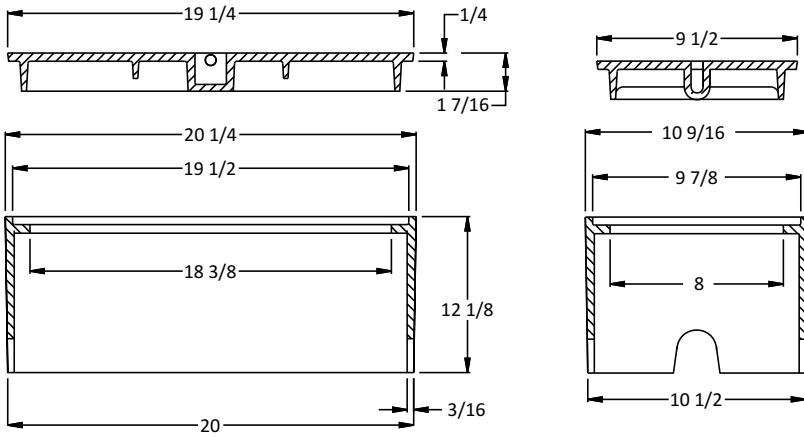
ITEM # : 6420 DECATUR METER BOX



Material : Cast Iron, ASTM A48, Class 30B
Dimensions : All are in Inch

METER BOX EQ. MBX - #1 (CLEANOUT / SEWER)

ITEM # : 6421 - 6422

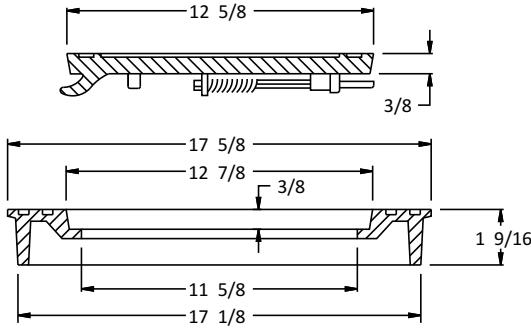


ITEM #	DESCRIPTION	ITEM #	DESCRIPTION
6421	EQ. MBX-1 CLEANOUT COMPLETE SET	6422	EQ. MBX-1 SEWER COMPLETE SET
6421B	EQ. MBX-1 CLEANOUT BODY ONLY	6422L	EQ. MBX-1 SEWER LID ONLY
6421L	EQ. MBX-1 CLEANOUT LID ONLY		

Material : Cast Iron, ASTM A48, Class 30B
 Dimensions : All are in Inch

METER BOX EQ. MB 34L

ITEM # : 6425 - 6429

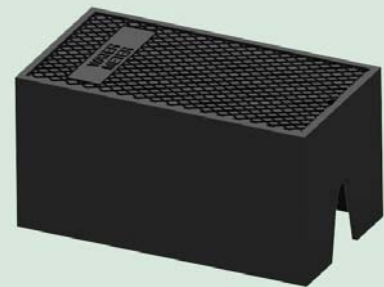
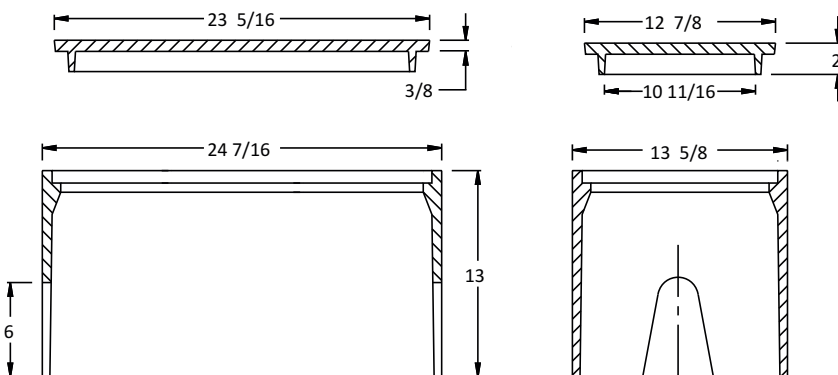


ITEM #	DESCRIPTION
6425	METER BOX EQ. MB 34L
6426	METER BOX LID ONLY EQ. MB34L W/ ONE READER HOLE
6427	METER BOX LID ONLY EQ. MB34L W/ TWO READER HOLE
6428	METER BOX LID ONLY EQ. MB34L
6429	METER BOX EQ. MB 34L RING ONLY

Material : Cast Iron, ASTM A48, Class 30B
 Dimensions : All are in Inch

13.625" X 24.25" METER BOX

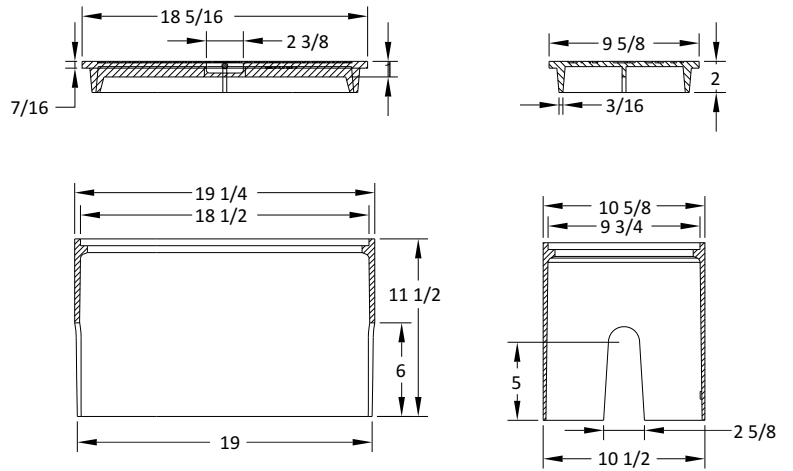
ITEM # : 6430



ITEM #	DESCRIPTION
6430	13.625" X 24.25" METER BOX
6430B	13.625" X 24.25" METER BOX BODY ONLY
6430L	13.625" X 24.25" METER BOX LID ONLY

Material : Cast Iron, ASTM A48, Class 30B
 Dimensions : All are in Inch

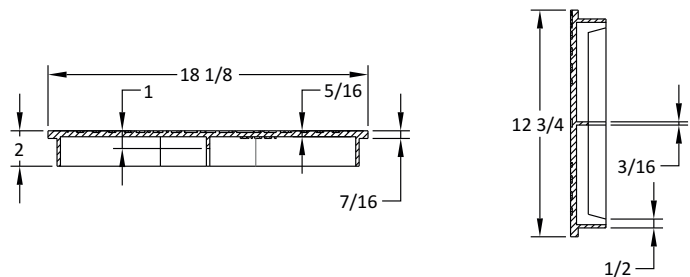
ITEM # : 6440 - 6442 OVAL METER BOX EQ. SIGMA MB281



Material : Cast Iron, ASTM A48, Class 30B
Dimensions : All are in Inch

ITEM #	DESCRIPTION
6440	OVAL METER BOX EQ. SIGMA MB281
6441	LID ONLY - OVAL METER BOX EQ. SIGMA MB281
6442	BODY ONLY - OVAL METER BOX EQ. SIGMA MB281

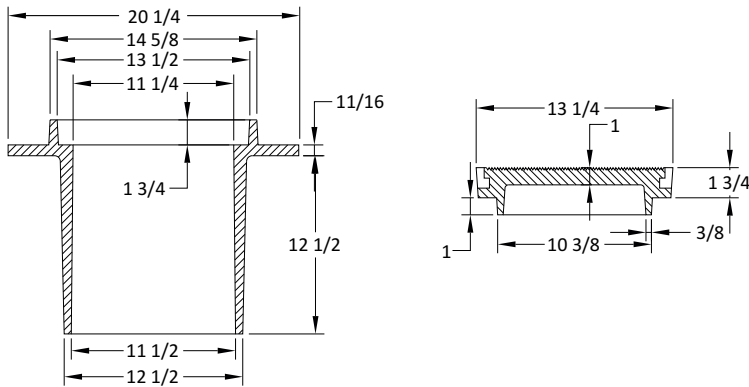
ITEM # : 6443 HARPOR METER BOX LID ONLY EQ. MB280



Material : Cast Iron, ASTM A48, Class 30B
Dimensions : All are in Inch

MIAMI DADE HEXAGON SEWER CLEANOUT

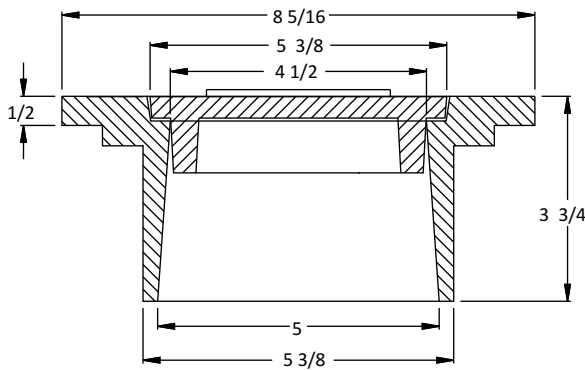
ITEM # : 6450



Material : Cast Iron, ASTM A48, Class 30B
Dimensions : All are in Inch

DYER BOX RING & COVER CLEAN OUT

ITEM # : 6457

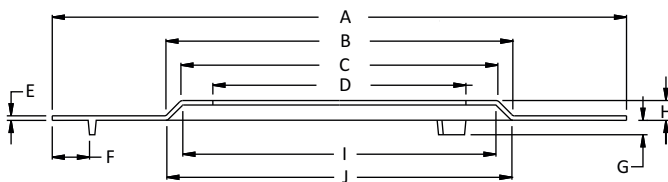


ITEM #	DESCRIPTION
6457	DYER BOX RING & COVER CLEAN OUT 'WATER'
6457G	DYER BOX RING & COVER CLEAN OUT 'GAS'
6457S	DYER BOX RING & COVER CLEAN OUT 'SEWER'

Material : Cast Iron, ASTM A48, Class 30B
Dimensions : All are in Inch

ADAPTER RING

ITEM # : 6470 - 6472



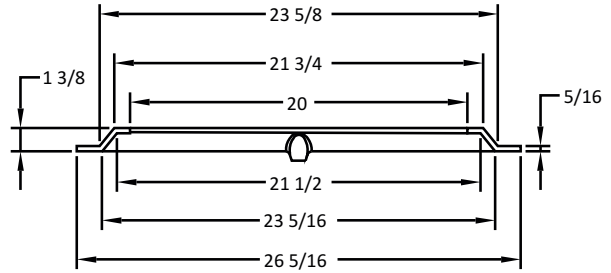
ITEM	A	B	C	D	E	F	G	H	I	J
6470	40 3/8	24 3/16	22	18	3/8	2 3/8	1	1 5/16	21 1/2	23 15/16
6471	26 9/16	24 1/16	22	18	5/16	1 3/4	5/8	1 5/16	21 1/2	23 1/2
6472	33 1/8	24 5/16	22 1/16	18	5/16	2	1	1 5/16	21 3/4	24

ITEM #	DESCRIPTION
6470	18 X 36 ADAPTER IRNG
6471	18 X 24 ADAPTER RING
6472	18 X 30 ADAPTER RING

Material : Cast Iron, ASTM A48, Class 30B
Dimensions : All are in Inch

ITEM # : 6475

20 X 24 ADAPTER RING

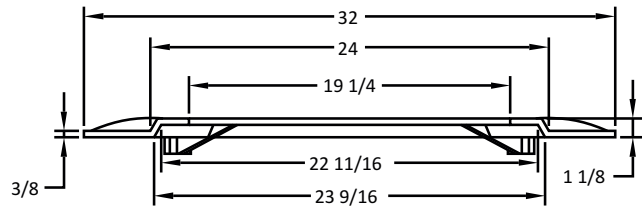
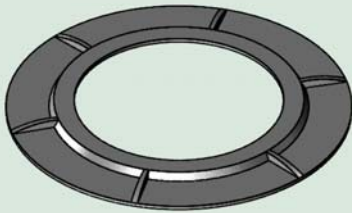


Material : Cast Iron, ASTM A48, Class 30B

Dimensions : All are in Inch

ITEM # : 6476

20 X 30 ADAPTER RING

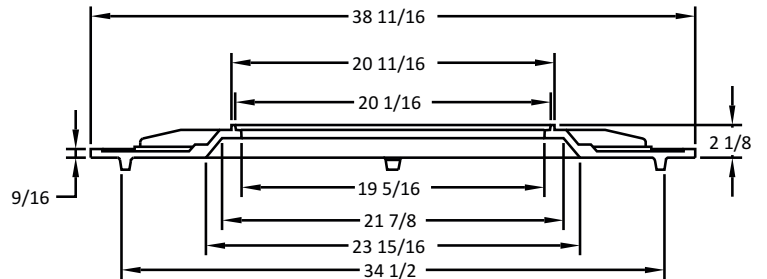
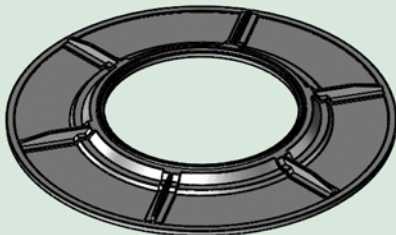


Material : Cast Iron, ASTM A48, Class 30B

Dimensions : All are in Inch

ITEM # : 6477

20 X 36 ADAPTER RING

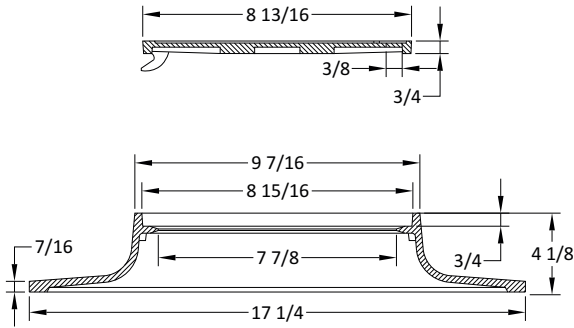


Material : Cast Iron, ASTM A48, Class 30B

Dimensions : All are in Inch

WATER METER BOX EQ. POWERSEAL

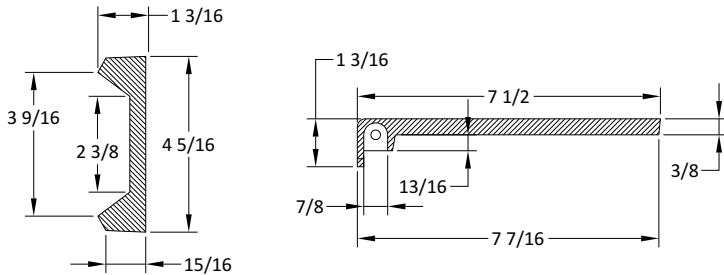
ITEM # : 6480



Material : Cast Iron, ASTM A48, Class 30B
Dimensions : All are in Inch

GM GLASMASTERS LID SMALL

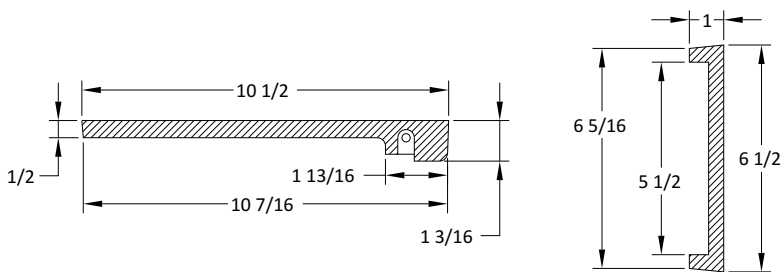
ITEM # : 6490



Material : Cast Iron, ASTM A48, Class 30B
Dimensions : All are in Inch

GM GLASMASTERS LID BIG

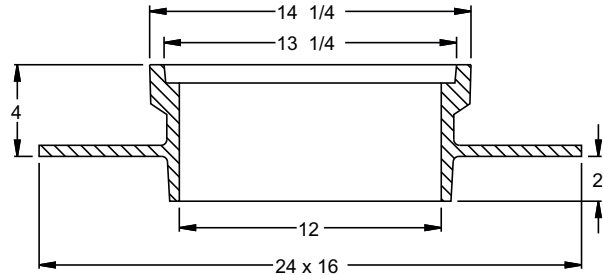
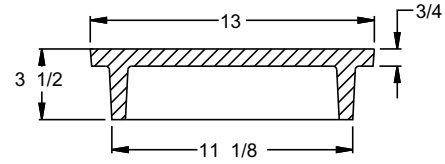
ITEM # : 6491



Material : Cast Iron, ASTM A48, Class 30B
Dimensions : All are in Inch

ITEM # : 6501

SEWER CLEAN OUT MID-FLANGE

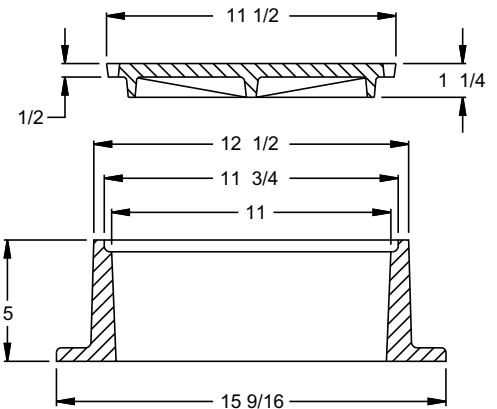


Material : Cast Iron, ASTM A48, Class 30B

Dimensions : All are in Inch

ITEM # : 6502

SEWER CLEAN OUT BOTTOM FLANGE



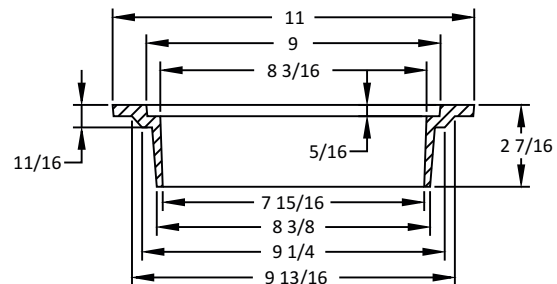
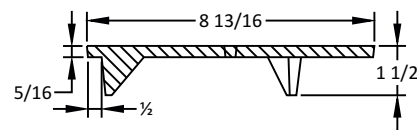
ITEM #	DESCRIPTION
6502	SEWER CLEAN OUT BOTTOM FLANGE
6502B	SEWER CLEAN OUT BOTTOM FLANGE BASE ONLY
6502L	SEWER CLEAN OUT BOTTOM FLANGE LID ONLY
6502STM	STORM CLEAN OUT BOTTOM FLANGE

Material : Cast Iron, ASTM A48, Class 30B

Dimensions : All are in Inch

ITEM # : 6503

SEWER CLEAN OUT TOP FLANGE NEW

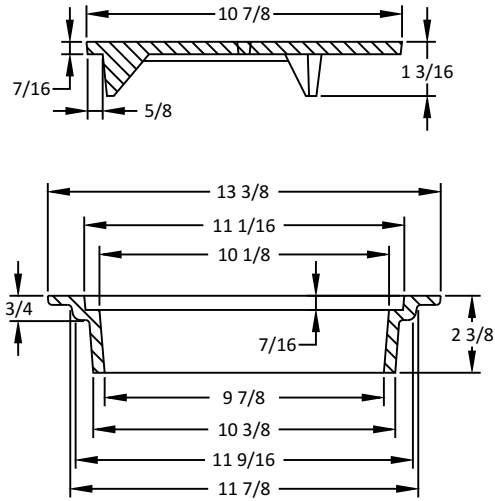


Material : Cast Iron, ASTM A48, Class 30B

Dimensions : All are in Inch

10" SEWER CLEAN OUT TOP FLANGE NEW

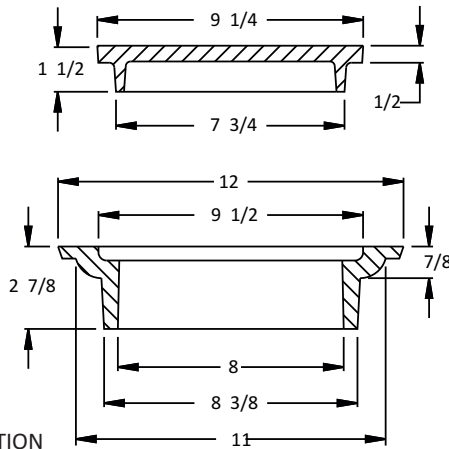
ITEM # : 6503B



Material : Cast Iron, ASTM A48, Class 30B
Dimensions : All are in Inch

SEWER CLEAN OUT TOP FLANGE

ITEM # : 6504

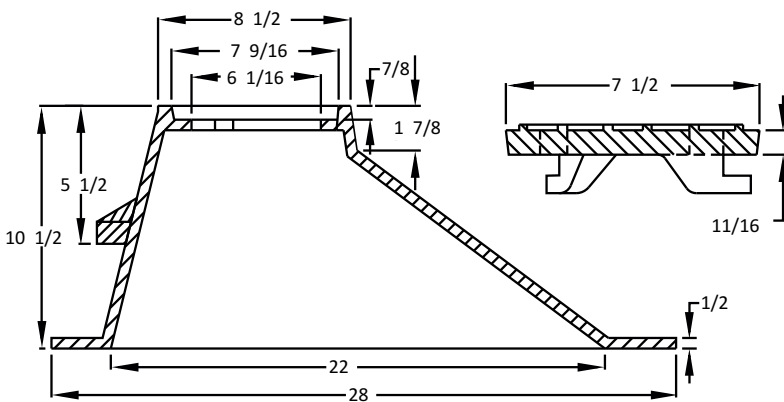


Material : Cast Iron, ASTM A48, Class 30B
Dimensions : All are in Inch

ITEM #	DESCRIPTION
6504	SEWER CLEAN OUT TOP FLANGE
6504C	SEWER CLEAN OUT COVER ONLY
6504R	SEWER CLEAN OUT TOP FLANGE RING ONLY

SANITARY CLEAN OUT Y-BOOT

ITEM # : 6505 - 6507

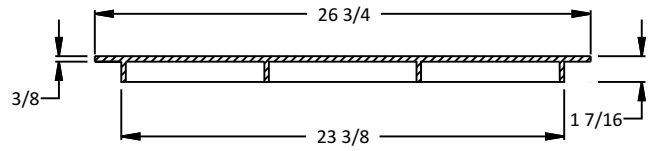


ITEM #	DESCRIPTION
6505	SANITARY CLEAN OUT Y-BOOT
6506	Y-BOOT LID ONLY
6507	Y - BOOT BODY ONLY

Material : Cast Iron, ASTM A48, Class 30B
Dimensions : All are in Inch

ITEM # : 6508

EQ. C111 - 26 3/4" METER LID

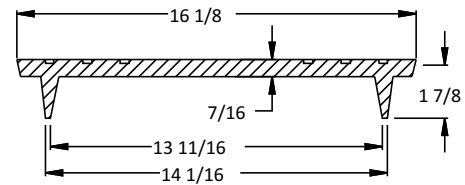


Material : Cast Iron, ASTM A48, Class 30B

Dimensions : All are in Inch

ITEM # : 6509

EQ. 108P - 16 1/8" PLASTIC METER COVER

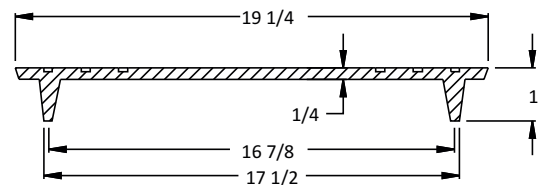


Material : Cast Iron, ASTM A48, Class 30B

Dimensions : All are in Inch

ITEM # : 6510

EQ. 109P - 19 1/4" PLASTIC METER COVER

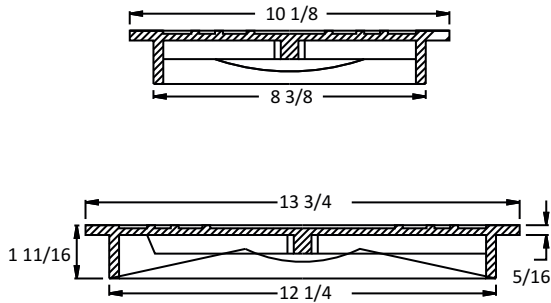


Material : Cast Iron, ASTM A48, Class 30B

Dimensions : All are in Inch

CITY OF HARLINGEN METER BOX LID

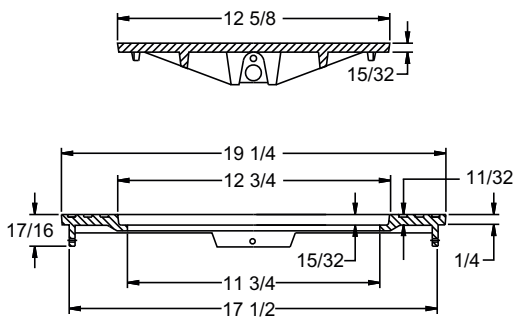
ITEM # : 6511



Material : Cast Iron, ASTM A48, Class 30B
Dimensions : All are in Inch

19" METER CAN RING & LID FOR EQ. A2000 PIPE

ITEM # : 6512 - 6513

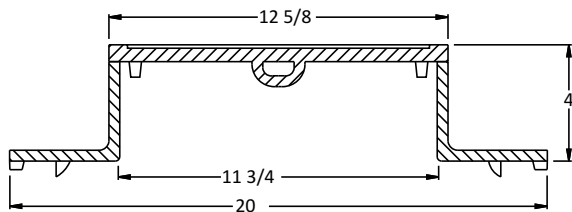


ITEM #	DESCRIPTION
6512	19" METER CAN RING & LID FOR EQ. A2000 PIPE
6513	19" METER CAN RING ONLY FOR EQ. A2000 PIPE

Material : Cast Iron, ASTM A48, Class 30B
Dimensions : All are in Inch

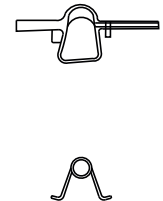
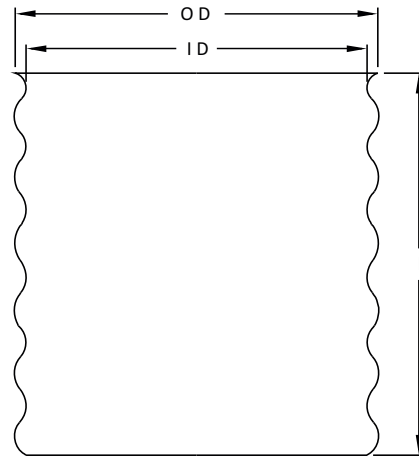
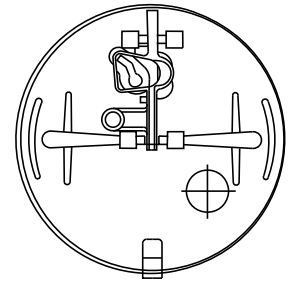
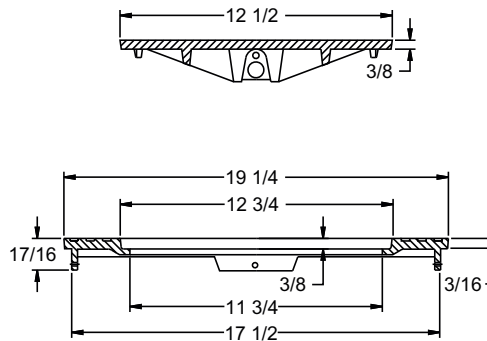
18" RAISED RING & WATER METER COVER EQ. 2210

ITEM # : 6514



ITEM #	DESCRIPTION
6514	18" RAISED RING & WATER METER COVER EQ. 2210
6514C	18" WATER METER COVER ONLY EQ. 2210

Material : Cast Iron, ASTM A48, Class 30B
Dimensions : All are in Inch



ITEM #

DESCRIPTION

6515	18" METER CAN RING & LID
6515R	18" METER BOX RING ONLY
6519	18" METER CAN RING & LID w/ ONE READER HOLE
MCGA-1814	GALVANIZED STEEL METER CAN 18" X 14"
MCGA-1814R	METER CAN W/ RING ONLY 18" X 14"
MCGA-1814RL	METER CAN W/ RING & LID 18" X 14"
MCGA-1818	GALVANIZED STEEL METER CAN 18" X 18"
MCGA-1818R	METER CAN W/ RING ONLY 18" X 18"
MCGA-1818RL	METER CAN W/ RING & LID 18" X 18"
MCGA-1818RLW2H	METER CAN W/ RING & LID 18" X 18" WITH 2" READER
MCGA-1824	GALVANIZED STEEL METER CAN 18" X 24"
MCGA-1824R	METER CAN W/ RING ONLY 18" X 24"
MCGA-1824RL	METER CAN W/ RING & LID 18" X 24"
MCGA-1830	GALVANIZED STEEL METER CAN 18" X 30"
MCGA-1830R	METER CAN W/ RING ONLY 18" X 30"
MCGA-1830RL	METER CAN W/ RING & LID 18" X 30"
MCGA-1836	GALVANIZED STEEL METER CAN 18" X 36"
MCGA-1836R	METER CAN W/ RING ONLY 18" X 36"
MCGA-1836RL	METER CAN W/ RING & LID 18" X 36"
MCGA-1848	GALVANIZED STEEL METER CAN 18" X 48"
MCGA-1848R	METER CAN W/ RING ONLY 18" X 48"
MCGA-1848RL	METER CAN W/ RING ONLY 18" X 48"

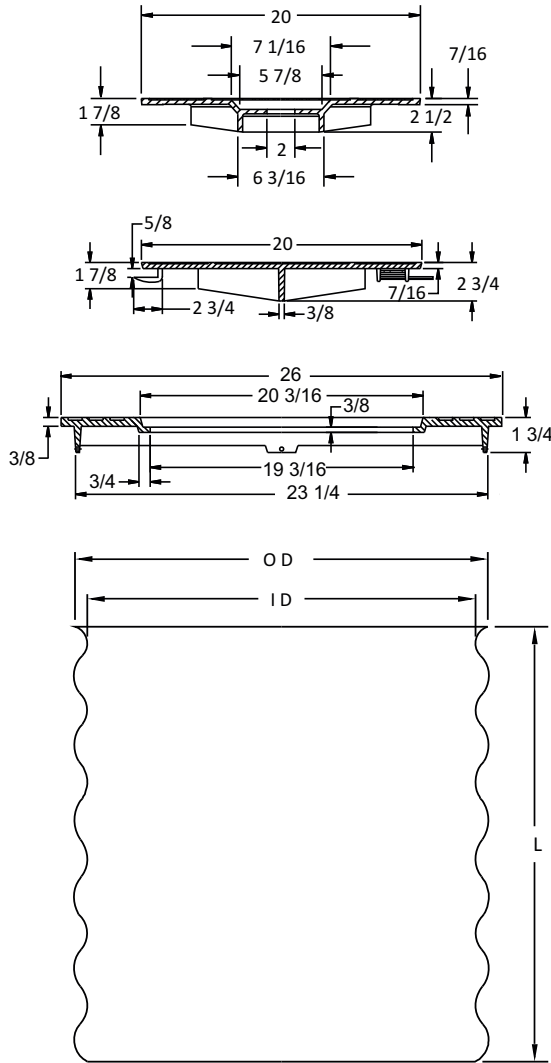
ITEM #	OD	ID	L
MCGA-1814	17	16	14
MCGA-1818	17	16	18
MCGA-1824	17	16	24
MCGA-1830	17	16	30
MCGA-1836	17	16	36
MCGA-1848	17	16	48

Material : Ring & Lid - Cast Iron, ASTM A48, Class 30B
Meter Can - Galvanized Steel Sheet

Dimensions : All are in Inch

24" METER CAN RING & LID w/GALVANIZED STEEL METER CAN

ITEM # : 6516/MCGA

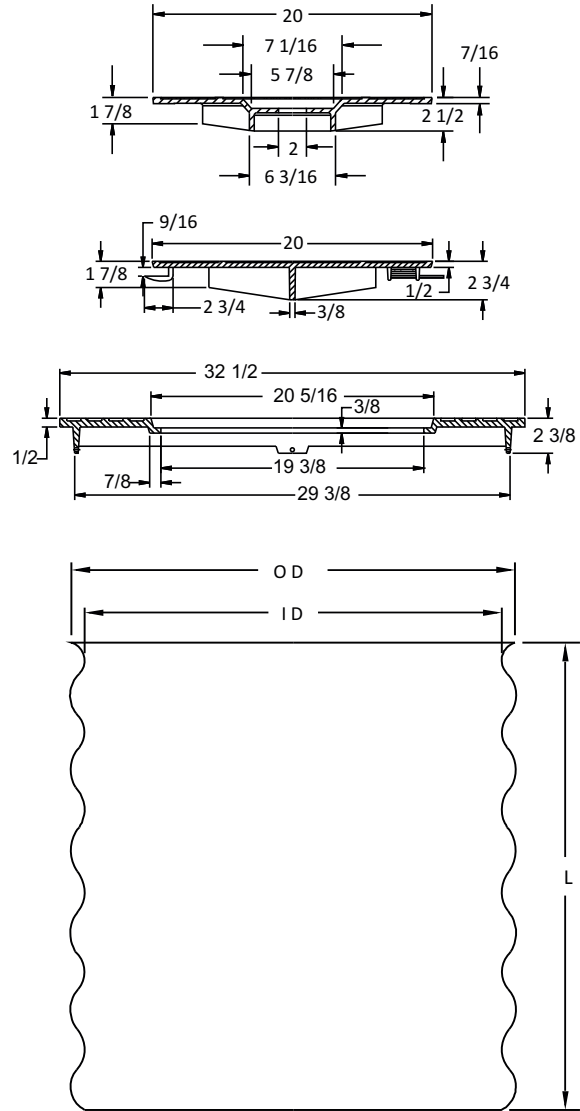


ITEM #	DESCRIPTION
6516	24" METER CAN RING & LID
6516R	24" METER BOX RING ONLY
6516N	24" METER CAN RING & NEW LID
6517L	24" / 30" / 36" METER CAN LID ONLY SOLID
6517LR	24"/30"/36" METER CAN LID ONLY w/READER HOLE
MCGA-2414	GALVANIZED STEEL METER CAN 24" X 14"
MCGA-2414R	METER CAN W/ RING ONLY 24" X 14"
MCGA-2414RL	METER CAN W/ RING & LID 24" X 14"
MCGA-2418	GALVANIZED STEEL METER CAN 24" X 18"
MCGA-2418R	METER CAN W/ RING ONLY 24" X 18"
MCGA-2418RL	METER CAN W/ RING & LID 24" X 18"
MCGA-2424	GALVANIZED STEEL METER CAN 24" X 24"
MCGA-2424R	METER CAN W/ RING ONLY 24" X 24"
MCGA-2424RL	METER CAN W/ RING & LID 24" X 24"
MCGA-2430	GALVANIZED STEEL METER CAN 24" X 30"
MCGA-2430R	METER CAN W/ RING ONLY 24" X 30"
MCGA-2430RL	METER CAN W/ RING & LID 24" X 30"
MCGA-2436	GALVANIZED STEEL METER CAN 24" X 36"
MCGA-2436R	METER CAN W/ RING ONLY 24" X 36"
MCGA-2436RL	METER CAN W/ RING & LID 24" X 36"
MCGA-2448	GALVANIZED STEEL METER CAN 24" X 48"
MCGA-2448R	METER CAN W/ RING ONLY 24" X 48"
MCGA-2448RL	METER CAN W/ RING & LID 24" X 48"

ITEM #	O D	I D	L
MCGA-2414	23 1/2	23	14
MCGA-2418	23 1/2	23	18
MCGA-2424	23 1/2	23	24
MCGA-2430	23 1/2	23	30
MCGA-2436	23 1/2	23	36
MCGA-2448	23 1/2	23	48

Material : Ring & Lid - Cast Iron, ASTM A48, Class 30B
 Meter Can - Galvanized Steel Sheet

Dimensions : All are in Inch



ITEM #	OD	ID	L
MCGA-3014	30 1/2	29 9/16	14
MCGA-3018	30 1/2	29 9/16	18
MCGA-3024	30 1/2	29 9/16	24
MCGA-3030	30 1/2	29 9/16	30
MCGA-3036	30 1/2	29 9/16	36

Material : Ring & Lid - Cast Iron, ASTM A48, Class 30B
Meter Can - Galvanized Steel Sheet

Dimensions : All are in Inch

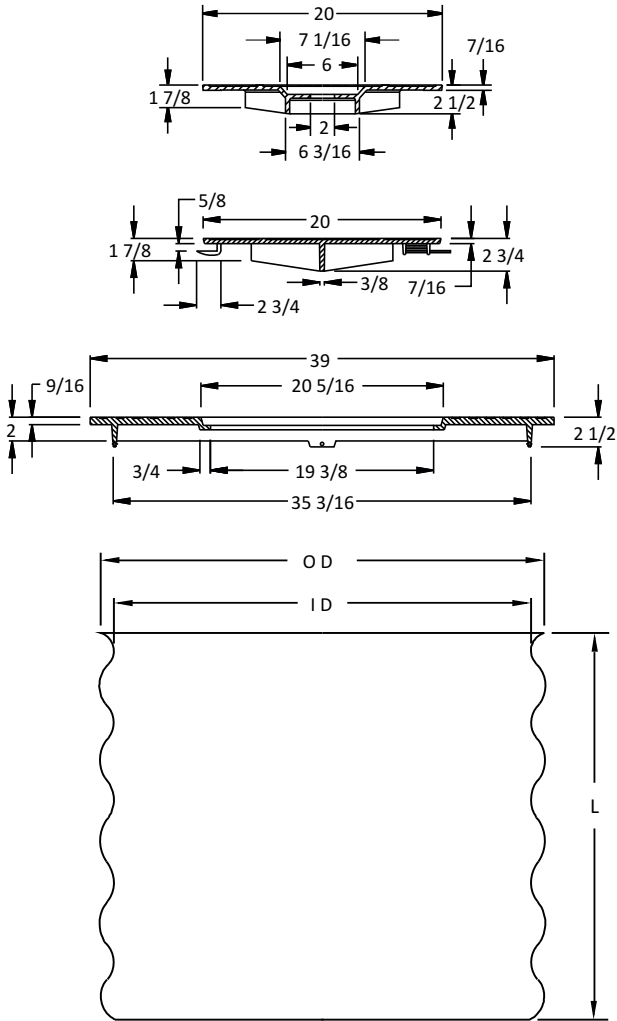
ITEM #

DESCRIPTION

- 6517 24" METER CAN RING & LID
- 6517R 24" METER BOX RING ONLY
- 6517N 24" METER CAN RING & NEW LID
- 6517L 24" / 30" / 36" METER CAN LID ONLY SOLID
- 6517LR 24"/30"/36" METER CAN LID ONLY w/READER HOLE
- MCGA-3014 GALVANIZED STEEL METER CAN 30" X 14"
- MCGA-3014R METER CAN W/ RING ONLY 30" X 14"
- MCGA-3014RL METER CAN W/ RING & LID 30" X 14"
- MCGA-3018 GALVANIZED STEEL METER CAN 30" X 18"
- MCGA-3018R METER CAN W/ RING ONLY 30" X 18"
- MCGA-3018RL METER CAN W/ RING & LID 30" X 18"
- MCGA-3024 GALVANIZED STEEL METER CAN 30" X 24"
- MCGA-3024R METER CAN W/ RING ONLY 30" X 24"
- MCGA-3024RL METER CAN W/ RING & LID 30" X 24"
- MCGA-3030 GALVANIZED STEEL METER CAN 30" X 30"
- MCGA-3030R METER CAN W/ RING ONLY 30" X 30"
- MCGA-3030RL METER CAN W/ RING & LID 30" X 30"
- MCGA-3036 GALVANIZED STEEL METER CAN 30" X 36"
- MCGA-3036R METER CAN W/ RING ONLY 30" X 36"
- MCGA-3036RL METER CAN W/ RING & LID 30" X 36"

36" METER CAN RING & LID w/GALVANIZED STEEL METER CAN

ITEM # : 6518/MCGA



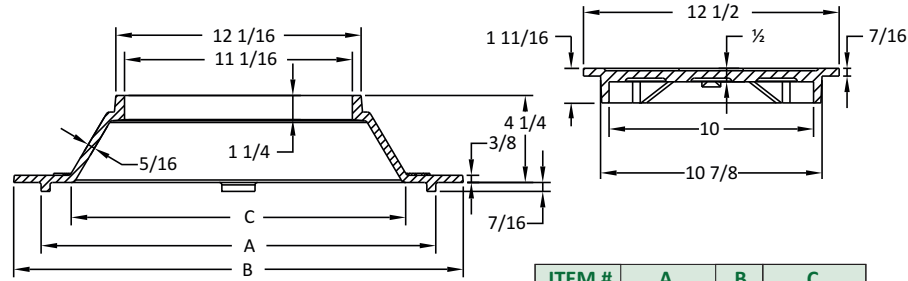
ITEM #	DESCRIPTION
6518	36" METER CAN RING & LID
6518R	36" METER BOX RING ONLY
6518N	36" METER CAN RING & NEW LID
6517L	24" / 30" / 36" METER CAN LID ONLY SOLID
6517LR	24"/30"/36" METER CAN LID ONLY w/READER HOLE
MCGA-3614	GALVANIZED STEEL METER CAN 36" X 14"
MCGA-3614R	METER CAN W/ RING ONLY 36" X 14"
MCGA-3614RL	METER CAN W/ RING & LID 36" X 14"
MCGA-3618	GALVANIZED STEEL METER CAN 36" X 18"
MCGA-3618R	METER CAN W/ RING ONLY 36" X 18"
MCGA-3618RL	METER CAN W/ RING & LID 36" X 18"
MCGA-3624	GALVANIZED STEEL METER CAN 36" X 24"
MCGA-3624R	METER CAN W/ RING ONLY 36" X 24"
MCGA-3624RL	METER CAN W/ RING & LID 36" X 24"
MCGA-3630	GALVANIZED STEEL METER CAN 36" X 30"
MCGA-3630R	METER CAN W/ RING ONLY 36" X 30"
MCGA-3630RL	METER CAN W/ RING & LID 36" X 30"
MCGA-3636	GALVANIZED STEEL METER CAN 36" X 36"
MCGA-3636R	METER CAN W/ RING ONLY 36" X 36"
MCGA-3636RL	METER CAN W/ RING & LID 36" X 36"
MCGA-3648	GALVANIZED STEEL METER CAN 36" X 48"
MCGA-3648R	METER CAN W/ RING ONLY 36" X 48"
MCGA-3648RL	METER CAN W/ RING & LID 36" X 48"
MCGA-3660	GALVANIZED STEEL METER CAN 36" X 60"
MCGA-3660RL	METER CAN W/ RING & LID 36" X 60"

ITEM #	O D	I D	L
MCGA-3614	36	35 1/8	14
MCGA-3618	36	35 1/8	18
MCGA-3624	36	35 1/8	24
MCGA-3630	36	35 1/8	30
MCGA-3636	36	35 1/8	36
MCGA-3648	36	35 1/8	48
MCGA-3660	36	35 1/8	60

Material : Ring & Lid - Cast Iron, ASTM A48, Class 30B
 Meter Can - Galvanized Steel Sheet

Dimensions : All are in Inch

ITEM # : 6523 - 6525 DROP IN LID & METER FRAMES

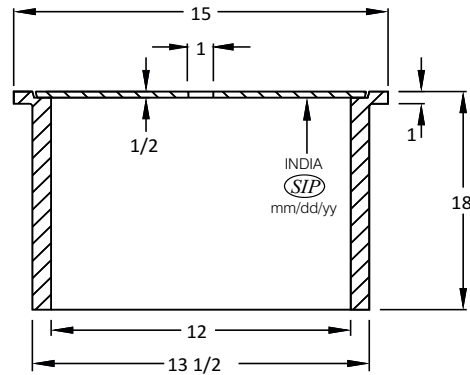


ITEM #	A	B	C
6524	16 15/16	20	14 3/16
6525	19	22	16 1/8

ITEM #	DESCRIPTION
6523	DROP IN LID ONLY FOR METER FRAMES
6523L	DROP IN LID ONLY FOR METER FRAMES w/ 2" AMR
6524	18" METER FRAME
6524S	18" METER FRAME AND DROP IN LID
6525	20" METER FRAME
6525S	20" METER FRAME AND DROP IN LID

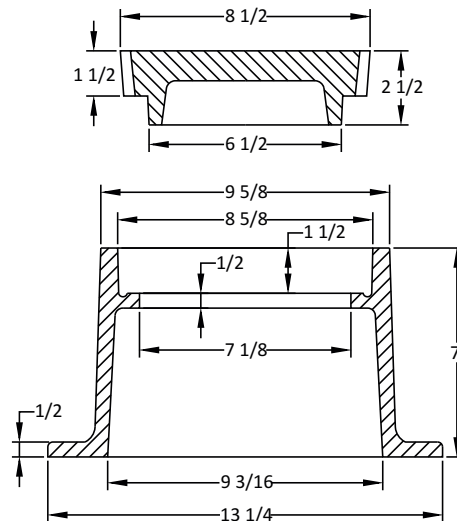
Material : Cast Iron, ASTM A48, Class 30B
Dimensions : All are in Inch

ITEM # : 6532 CAST IRON PIT MB



Material : Cast Iron, ASTM A48, Class 30B
Dimensions : All are in Inch

ITEM # : USF 7610 8" LAMPHOLE CLEANOUT DOMESTIC

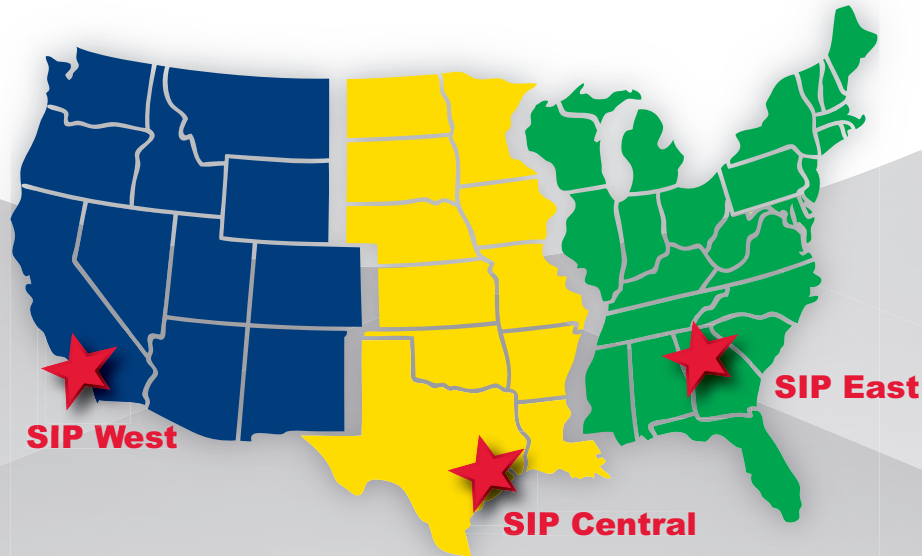


Material : Cast Iron, ASTM A48, Class 30B
Dimensions : All are in Inch



SIP Industries

Quality Manufacturers Since 1960



AWWA DI Fittings & Accessories

- C153 Compact MJ Fittings and Acc. 2" - 48"
- C110 Full Body MJ Fittings 2" - 48"
- C153 Push-On Fittings 4" - 24"
- C110 Flange Fittings 2" - 60"
- Stainless Steel & Blue T-Bolts
- Ductile Iron Retainer Glands
- Made in India, China & Mexico
- Cement, Fusion Bonded Epoxy & P401 lining

- Joint Restraint System
- EZD Joint Restraint for DI Pipe 3" - 48"
- EZP Joint Restraint for PVC Pipe 3" - 36"
- PTP Pipe to Pipe Restraint 4" - 36"
- PTPDF Pipe to MJ Fittings Restraint 4" - 36"
- PTPFC Pipe to PVC Fittings Restraint 4" - 12"
- Made in China & USA
- Fusion Bonded Epoxy or Shop Coating

Municipal Construction Castings

- Manhole Rings and Cover
- Frames and Grates
- Valve Boxes and Service Boxes
- Water Meter Covers and Boxes
- Trench Grates and Tree Grates
- Made in India & USA

Fabrication Products for DI Pipe

- High Hub Flanges Class 150 and 250. 3" - 64"
- Threaded Bell Flanges 3" - 48"
- Anchor Flanges 3" - 60"
- Filler Flanges 4" - 30"

Other Products and Services

- All Thread Rod
- Pipe Lube and Hydraulic Cement
- Socket Clamps and Lugs
- Flange Packs
- OEM Castings

SIP West

8333 Almeria Avenue
Fontana, CA 92335

SIP Central

2900 Patio Drive
Houston, TX 77017

SIP East

600 Rayloc Drive
Atlanta, GA 30336