



**BRADFORD WHITE**<sup>®</sup>  
W A T E R   H E A T E R S

**RESIDENTIAL SOLAR REPLACEMENT PARTS LIST**  
**“MS” Series Models**



Includes Hydrojet<sup>®</sup>  
Total Performance System

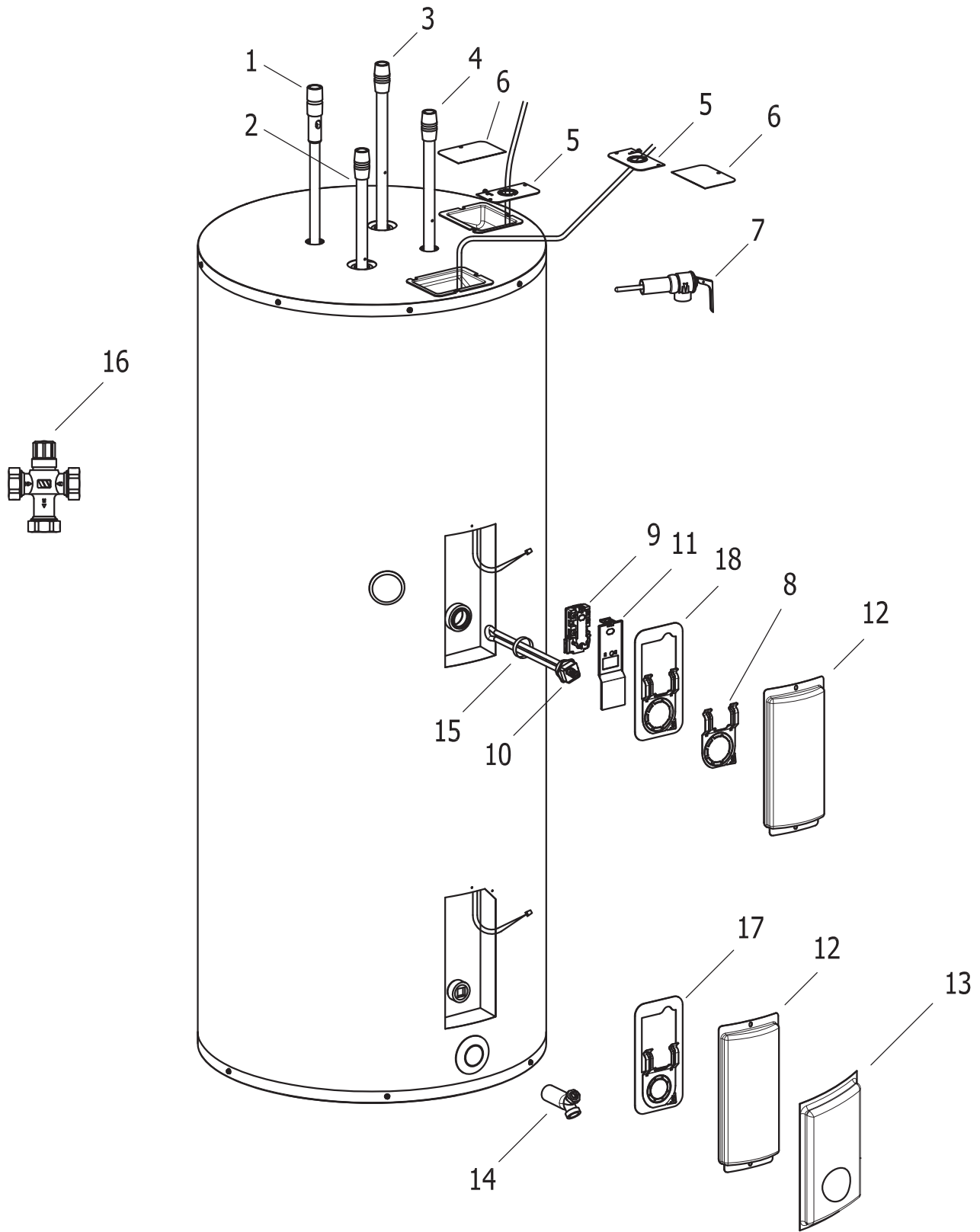
**Effective: May, 2019**  
**ECO 8264**

**NOTE: BOTH MODEL AND SERIAL  
NUMBERS ARE REQUIRED FOR  
ORDERING REPLACEMENT PARTS**

Dimensions and specifications  
subject to change without notice.



As required by the state of California Proposition 65.



Item	Description	Model	Model	Model
		MS65R*SS	MS80R*SS	MS120R*SS
1	Hot Outlet Anode Magnesium Aluminum	224-47776-12 224-47778-13	224-47776-13 224-47778-13	224-47776-19 224-47778-19
2	Dip Tube Pump Suction Polypropylene Polysulfone	229-32730-41 229-34189-49	229-32730-41 229-34189-49	229-32730-75 229-39628-31
3	Dip Tube Collector Return Polypropylene Polysulfone	229-32730-40 229-34189-47	229-32730-40 229-34189-47	229-32730-74 229-34189-48
4	Dip Tube Cold Water Inlet Polypropylene Polysulfone	229-39625-29 229-39628-32	229-39625-29 229-39628-32	229-39625-28 229-39628-31
5	Cover Conduit/Ground	243-39451-00	243-39451-00	243-39451-00
6	Cover Junction Box	243-39452-00	243-39452-00	243-39452-00
7	T&P Valve	230-40594-02	230-40594-02	230-40594-02
8	Solar/Thermostat Mounting Bracket	239-44479-00 <sup>1</sup>	239-44479-00 <sup>1</sup>	239-44479-00 <sup>1</sup>
9	Thermostat with High Limit	219-40694-00	219-40694-00	219-40694-00
10	Heating Element 240V/4500W	265-48642-00	265-48642-00	265-48642-00
11	Thermostat Protector	223-40399-00	223-40399-00	223-40399-00
12	Access Cover	243-36618-02	243-36618-02	243-36618-02
13	Access Cover w/Collector Supply Opening	- - -	243-41246-00	243-41246-00
14	Brass Drain Valve	265-42351-02	265-42351-02	265-42351-02
15	Element Gasket	223-34019-00	223-34019-00	223-34019-00
16	ASSE Approved Mixing Valve	239-43740-01	239-43740-01	239-43740-01
17	Solar Bracket	243-47564-01 <sup>2</sup>	243-47564-01 <sup>2</sup>	243-47564-01 <sup>2</sup>
18	Solar/Thermostat Mounting Bracket	243-47564-02 <sup>2</sup>	243-47564-02 <sup>2</sup>	243-47564-02 <sup>2</sup>

\* Denotes Warranty Years

<sup>1</sup> For Serial Numbers Prior to GL14189366

<sup>2</sup> For Serial Numbers After and Including GL14189366

## Heating Elements (Copper):

Wattage	120 Volt	208 Volt	240 Volt	277 Volt	380 Volt	415 Volt	480 Volt	600 Volt
1000W	220-42540-01	220-42544-01	220-42546-01	N/A	N/A	N/A	N/A	N/A
1250W	N/A	N/A	220-42544-13	N/A	N/A	N/A	N/A	N/A
1500W	220-42540-02	220-42544-03	220-42544-01	220-42546-01	220-42550-10	N/A	220-42552-01	N/A
1500W (LWD)	220-42540-03	N/A	220-42544-02	N/A	N/A	N/A	N/A	N/A
2000W	220-42540-04	220-42544-04	220-42544-03	220-42546-09	220-42548-04	220-42550-10	220-42552-09	N/A
2500W	220-42540-05	220-42544-06	220-42544-04	220-42546-03	220-42550-11	220-42548-04	220-42552-03	N/A
3000W	220-42540-07	220-42544-14	220-42544-15	220-42546-04	220-42550-09	220-42550-11	220-42552-04	N/A
3500W	N/A	220-42544-08	220-42544-06	N/A	220-42550-06	220-42550-09	N/A	N/A
3800W	N/A	N/A	220-42546-10	N/A	N/A	N/A	N/A	N/A
4000W	N/A	220-42544-16	220-42544-14	220-42546-05	220-42550-03	220-42550-07	220-42552-05	N/A
4500W	N/A	220-42544-12	220-42544-08	220-42546-06	220-42550-04	220-42550-02	220-42552-06	N/A
4500W (LWD)	N/A	N/A	220-42544-09	N/A	N/A	N/A	N/A	N/A
5000W	N/A	220-42542-02	220-42544-10	220-42546-07	220-42550-05	220-42550-03	220-42552-07	N/A
5500W	N/A	220-42542-03	220-42544-16	N/A	220-42548-03	220-42550-04	N/A	N/A
6000W	N/A	220-42542-04	220-42544-12	220-42546-08	220-42548-02	220-42550-05	220-42552-08	N/A
Element gasket ^	223-34019-00	223-34019-00	223-34019-00	223-34019-00	223-34019-00	223-34019-00	223-34019-00	223-34019-00
Element plug	223-34020-00	223-34020-00	223-34020-00	223-34020-00	223-34020-00	223-34020-00	223-34020-00	223-34020-00

(LWD) = Low Watt Density

For bagged elements that include gasket, change part number prefix to 265- (example: 265-42540-01).

^ Element gaskets should be ordered with elements.

### Heating Elements (Incoloy):

Wattage	120 Volt	208 Volt	240 Volt	277 Volt	380 Volt	415 Volt	480 Volt	600 Volt
1000W	N/A	N/A	N/A	N/A	N/A	N/A	N/A	N/A
1250W	N/A	N/A	N/A	N/A	N/A	N/A	N/A	N/A
1500W	220-42541-02	220-42545-02	220-42545-13	N/A	220-42551-12	220-42551-11	N/A	N/A
1500W (LWD)	N/A	N/A	N/A	N/A	N/A	N/A	N/A	N/A
2000W	N/A	220-42545-14	220-42545-02	220-42547-07	220-42549-04	220-42551-12	220-42553-01	N/A
2500W	N/A	220-42545-11	220-42545-14	N/A	220-42551-13	N/A	N/A	N/A
3000W	N/A	220-42545-12	220-42545-15	220-42547-08	220-42551-10	220-42551-13	220-42553-08	N/A
3500W	N/A	220-42545-07	220-42545-11	N/A	220-42551-14	220-42551-10	N/A	N/A
3800W	N/A	N/A	220-42547-09	N/A	N/A	N/A	N/A	N/A
4000W	N/A	220-42545-17	220-42545-12	220-42547-03	220-42551-16	220-42551-14	220-42553-03	N/A
4500W	N/A	220-42545-19	220-42545-07	220-42547-12	220-42551-17	220-42551-15	220-42553-11	N/A
4500W (LWD)	N/A	N/A	N/A	N/A	N/A	N/A	N/A	N/A
5000W	N/A	220-42543-04	220-42545-18	220-42547-15	220-42551-18	220-42551-16	220-42553-12	N/A
5500W	N/A	220-42543-05	220-42545-17	220-42547-13	220-42549-09	220-42551-17	220-42553-13	N/A
6000W	N/A	220-42543-06	220-42545-19	220-42547-14	220-42549-05	220-42551-18	220-42553-14	N/A
Element gasket ^	223-34019-00	223-34019-00	223-34019-00	223-34019-00	223-34019-00	223-34019-00	223-34019-00	223-34019-00
Element plug	223-34020-00	223-34020-00	223-34020-00	223-34020-00	223-34020-00	223-34020-00	223-34020-00	223-34020-00

(LWD) = Low Watt Density

For bagged elements that include gasket, change part number prefix to 265- (example: 265-42541-02).

Element wrench \*\* 265-35897-12

Adapt-a-flange kit 265-36968-12

\*\*\* For use with residential, LD, E32, and MII series heating elements only. Not for use with commercial "A" series heating elements.

^ Element gaskets should be ordered with elements.



**BRADFORD WHITE®**

W A T E R H E A T E R S

Ambler, PA

For U.S. and Canada field service,  
contact your professional installer or  
local Bradford White sales representative.

**Sales/800-523-2931**

**Technical Support/800-334-3393**  
**Email/techserv@bradfordwhite.com**

**Warranty/800-531-2111**  
**Email/warranty@bradfordwhite.com**

**Service Parts/800-538-2020**  
**Email/Parts@bradfordwhite.com**

**International:**  
**international@bradfordwhite.com**



**BRADFORD WHITE™**

**CANADA**

Halton Hills, Ontario, Canada

**Sales & Technical Support/866-690-0961**  
**905-203-0600**

**Fax/905-636-0666**

**Email**

**Warranty/bwccwarranty@bradfordwhite.com**  
**Technical Support/BWCCTech@bradfordwhite.com**  
**Parts/orders@bradfordwhitecanada.com**  
**Orders/ca.orders@bradfordwhite.com**

**www.bradfordwhite.com**