


BRADFORD WHITE[®]
W A T E R H E A T E R S

COMMERCIAL REPLACEMENT PARTS LIST
Energy Saver Commercial Gas
Millivolt (DM) Models



Includes Hydrojet[®]
Total Performance System

Effective: November, 2012
ECO 7711

**NOTE: BOTH MODEL AND SERIAL
NUMBERS ARE REQUIRED FOR
ORDERING REPLACEMENT PARTS**

Dimensions and specifications
subject to change without notice.

Item	Description	Model DM38T155(E)*(N,X)	Model DM75T125(E)*(N,X)	Model DM75T160(E)*(N,X)	Model DM80T180(E)*(N,X)	Model DM80T199(E)*(N,X)
1	Draft Diverter Complete with Leg Kit	265-46541-00	265-46542-00	265-46543-00	265-46544-00	265-46544-00
2	Draft Diverter Only	239-81733-00-01	239-82000-01-01	243-81998-00-01	239-81986-00-01	239-81986-00-01
3	Draft Diverter Leg Kit Only	243-43690-02	243-43689-02	243-43690-06	243-43690-02	243-43690-02
4	Flue Damper Reducer	---	239-81980-00	239-81980-00	---	---
5	Flue Damper Complete	239-42806-00	243-42823-00	243-42823-00	239-42806-00	239-42806-00
6	Hot Water Outlet Nipple (Top)	---	229-40913-01	229-40913-01	229-40913-01	229-40913-01
7	Cold Water Inlet Diptube (Top)	---	229-46709-01	229-46709-01	229-46709-03	229-46709-03
8	Plug Type Anode Rod (Magnesium)	224-47782-09 (Qty. 3)	224-47782-06 (Qty. 2)	224-47782-06 (Qty. 2)	224-47782-11 (Qty. 2)	224-47782-11 (Qty. 2)
	Plug Type Anode Rod (Aluminum)	224-47783-01 (Qty. 3)	224-47783-04 (Qty. 2)	224-47783-04 (Qty. 2)	224-47783-04 (Qty. 2)	224-47783-04 (Qty. 2)
	Plug Type Anode Rod (A420 Aluminum)#	224-49559-04 (Qty. 3)	224-49559-04 (Qty. 2)	224-49559-04 (Qty. 2)	224-49559-04 (Qty. 2)	224-49559-04 (Qty. 2)
9	Flue Baffle	243-81683-00 (Qty. 11)	---	---	243-81563-00 (Qty. 8)	243-82118-00 (Qty. 8)
10	Flue Core	---	239-81476-00 (Qty. 2)	---	---	---
10A	Flue Reducer	---	243-36920-00	243-36920-00	---	---
11	ASSE Approved Mixing Valve (Optional)	239-43740-02	239-43740-02	239-43740-02	239-43740-02	239-43740-02
12	Damper Service Plate with Kit	243-42805-00	243-42805-00	243-42805-00	243-42805-00	243-42805-00
13	Hot Water Outlet Nipple (Side)	229-40913-02	229-40913-02	229-40913-02	229-40913-02	229-40913-02
14	1" NPT to 3/4" NPT Reducer Bushing	239-02052-00	---	---	239-02052-00	239-02052-00
15	3/4" NPT Nipple	229-32762-04	229-32762-04	229-32762-04	229-32762-04	229-32762-04
	1" NPT Nipple	---	---	---	---	---
16	T&P Valve	230-30246-00	230-30246-00	230-30246-00	230-30246-00	230-30246-00
17	Utility Cover	239-80281-03	239-80281-03	239-80281-03	239-80281-03	239-80281-03
18	Thermostat (Single Probe)	265-48921-00	265-48921-00	265-48921-00	---	---
18A	Thermostat (Dual Probe)	---	---	---	265-47524-00	265-47524-00
19	Harness-ECO Adapter †	239-47527-00	239-47527-00	239-47527-00	239-47527-00	239-47527-00
20	Thermal Immersion Well †	---	---	---	239-46558-02	239-46558-02
21	Mounting Clamp †	---	---	---	239-47206-00	239-47206-00
22	Piezo Igniter	239-41065-00	239-41065-00	239-41065-00	239-41065-00	239-41065-00
23	Harness-Flue Damper	239-42799-02	239-42799-01	239-42799-01	239-42799-03	239-42799-03
24	Harness-Gas Valve & Thermostat	239-47528-01	239-47528-01	239-47528-01	239-47528-01	239-47528-02
25	Cold Water Inlet Diptube (Side)	229-44731-00	229-44731-00	229-44731-00	229-44731-00	229-44731-00
26	Brass Drain Valve	265-42351-04	265-42351-04	265-42351-04	265-42351-04	265-42351-04
27	Cleanout O-Ring Gasket	205-18427-00	205-18427-00	205-18427-00	205-18427-00	205-18427-00
27A	Cleanout Gasket (ASME)	---	---	---	---	---
28	Cleanout Cover	205-18428-00	205-18428-00	205-18428-00	205-18428-00	205-18428-00
28A	Cleanout Cover (ASME)	---	---	---	---	---
29	Cleanout Cover Screw	239-82166-00	239-82166-00	239-82166-00	239-82166-00	239-82166-00
29A	Cleanout Cover Screw (ASME)	---	---	---	---	---
30	Cleanout Access Cover	243-20299-00	243-20299-00	243-20299-00	243-20299-00	243-20299-00

* Applies to all warranties

** Ordering a complete burner rack may increase delivery time. Please order the specific component required for the quickest delivery. Does not include item 45.

*** No LP version model available.

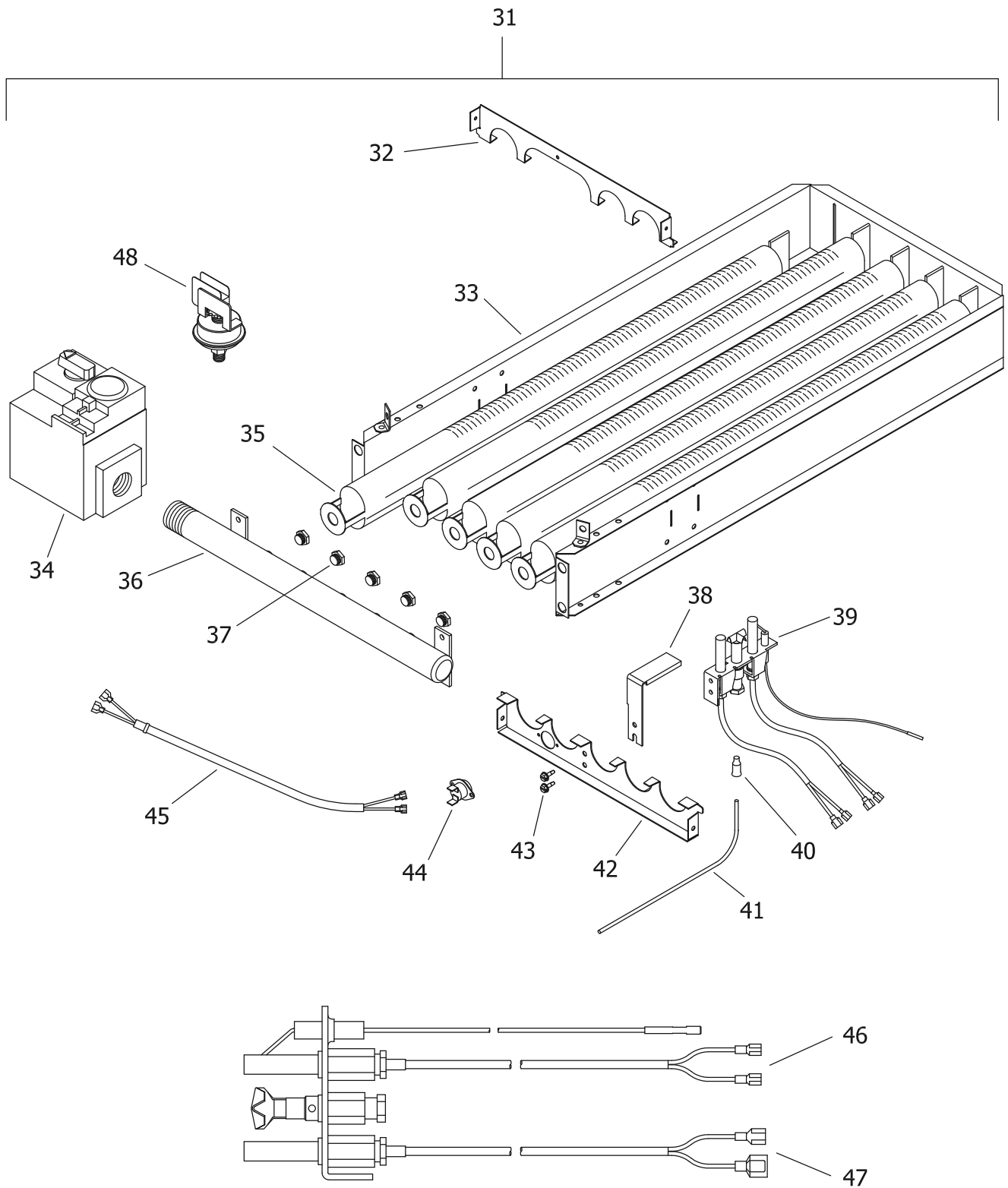
† Required when replacing Thermostats (Item 18 & 18A) on models prior to HF15207493.

▲ Applies when "E" is present in model number (Example: D38T155E3N).

▲▲ For models with serial number beginning with AG and prior.

▲▲▲ For models with serial numbers beginning with AH or later.

#A420 Anode may need to be cut to length



THERMOPILE DETAIL

Item Description	Model	Model	Model	Model	Model
	DM38T155(E)*(N,X)	DM75T125(E)*(N,X)	DM75T160(E)*(N,X)	DM80T180(E)*(N,X)	DM80T199(E)*(N,X)
31 Burner Rack Complete (Natural Gas) **	243-42814-09	243-42813-01	243-42814-01	243-42814-05	243-42814-03
Burner Rack Complete (Natural Gas) (Lo NOX) **▲	243-42937-05	243-42936-01	243-42937-01	243-42937-03	243-42937-02
Burner Rack Complete (LP Gas) **	243-42814-02	243-42813-02	243-42814-02	243-42814-06	243-42814-04
32 Draft Panel	239-39419-00	239-39419-00	239-39419-00	239-39419-00	239-39419-00
33 Burner Rack Only	233-81969-01	243-82107-00	233-81969-01	233-81969-01	233-81969-01
34 Gas Valve (Natural Gas)	265-45510-01	265-45510-01	265-45510-01	265-45510-01	265-45510-01
Gas Valve (LP Gas)	265-45510-02	265-45510-02	265-45510-02	265-45510-02	265-45510-02
35 Burner Tube (Standard)	228-39177-00 (Qty. 5)	228-39177-00 (Qty. 3)	228-39177-00 (Qty. 5)	228-39177-00 (Qty. 5)	228-39177-00 (Qty. 5)
Burner Tube (Lo-NOX) ▲	228-42490-00 (Qty. 5)	228-42490-00 (Qty. 3)	228-42490-00 (Qty. 5)	228-42490-00 (Qty. 5)	228-42490-00 (Qty. 5)
Burner Tube (Stainless Steel)	228-81964-00 (Qty. 5)	228-81964-00 (Qty. 3)	228-81964-00 (Qty. 5)	228-81964-00 (Qty. 5)	228-81964-00 (Qty. 5)
36 Burner Manifold	233-39170-00	233-39174-00	233-39170-00	233-39170-00	233-39170-00
37 Main Burner Orifice (Natural Gas) (0ft to 2000ft)	234-06016-73 (Qty. 5)	234-06016-33 (Qty. 3)	234-06016-39 (Qty. 5)	234-06016-37 (Qty. 5)	234-06016-35 (Qty. 5)
High Altitude (Natural Gas) (2001ft to 5000ft)	234-06016-42 (Qty. 5)	234-06016-36 (Qty. 3)	234-06016-42 (Qty. 5)	234-06016-39 (Qty. 5)	234-06016-37 (Qty. 5)
High Altitude (Natural Gas) (5001ft to 8000ft)	234-06016-43 (Qty. 5)	234-06016-38 (Qty. 3)	234-06016-43 (Qty. 5)	234-06016-42 (Qty. 5)	234-06016-39 (Qty. 5)
High Altitude (Natural Gas) (8001ft & above)	234-06016-44 (Qty. 5)	234-06016-39 (Qty. 3)	234-06016-44 (Qty. 5)	234-06016-42 (Qty. 5)	234-06016-40 (Qty. 5)
Main Burner Orifice (LP Gas) (0ft to 2000ft)	234-06016-52 (Qty. 5)	234-06016-48 (Qty. 3)	234-06016-52 (Qty. 5)	234-06016-50 (Qty. 5)	234-06016-49 (Qty. 5)
High Altitude (LP Gas) (2001ft to 5000ft)	234-06016-1/16 (Qty. 5)	234-06016-50 (Qty. 3)	234-06016-1/16 (Qty. 5)	234-06016-51 (Qty. 5)	234-06016-50 (Qty. 5)
High Altitude (LP Gas) (5001ft to 8000ft)	234-06016-53 (Qty. 5)	234-06016-51 (Qty. 3)	234-06016-53 (Qty. 5)	234-06016-1/16 (Qty. 5)	234-06016-51 (Qty. 5)
High Altitude (LP Gas) (8001ft & above)	234-06016-53 (Qty. 5)	234-06016-51 (Qty. 3)	234-06016-53 (Qty. 5)	234-06016-1/16 (Qty. 5)	234-06016-52 (Qty. 5)
38 Pilot Shield	239-41333-00	239-41333-00	239-41333-00	239-41333-00	239-41333-00
39 Pilot Assembly (Natural Gas)	265-46289-01	265-46289-01	265-46289-01	265-46289-01	265-46289-01
Pilot Assembly (LP Gas)	265-46289-02	265-46289-02	265-46289-02	265-46289-02	265-46289-02
40 Pilot Orifice (Natural Gas)	233-46653-01	233-46653-01	233-46653-01	233-46653-01	233-46653-01
Pilot Orifice (LP Gas)	233-46653-02	233-46653-02	233-46653-02	233-46653-02	233-46653-02
41 Aluminum Pilot Tube	233-80361-10	233-80361-10	233-80361-10	233-80361-10	233-80361-10
42 Burner Support	239-45180-00	239-45180-00	239-45180-00	239-45180-00	239-45180-00
43 Pilot Mounting Screw	239-11706-00 (Qty. 2)	239-11706-00 (Qty. 2)	239-11706-00 (Qty. 2)	239-11706-00 (Qty. 2)	239-11706-00 (Qty. 2)
44 Auto-Reset Thermal Switch ▲▲▲	239-45166-00	239-45166-00	239-45166-00	239-45166-00	239-45166-00
45 Harness-Thermal Switch ▲▲▲	239-45188-00	239-45188-00	239-45188-00	239-45188-00	239-45188-00
46 Thermopile-Gas Valve	233-46670-00	233-46670-00	233-46670-00	233-46670-00	233-46670-00
47 Thermopile-Damper	233-46700-00	233-46700-00	233-46700-00	233-46700-00	233-46700-00
48 Pressure Switch ▲▲	239-42797-00	239-42797-00	239-42797-00	239-42797-00	239-42797-00
- LP to Natural Gas Conversion Kit	265-46032-01	265-46032-02	265-46032-03	265-46032-04	265-46032-05

* Applies to all warranties

** Ordering a complete burner rack may increase delivery time. Please order the specific component required for the quickest delivery. Does not include item 45.

*** No LP version model available.

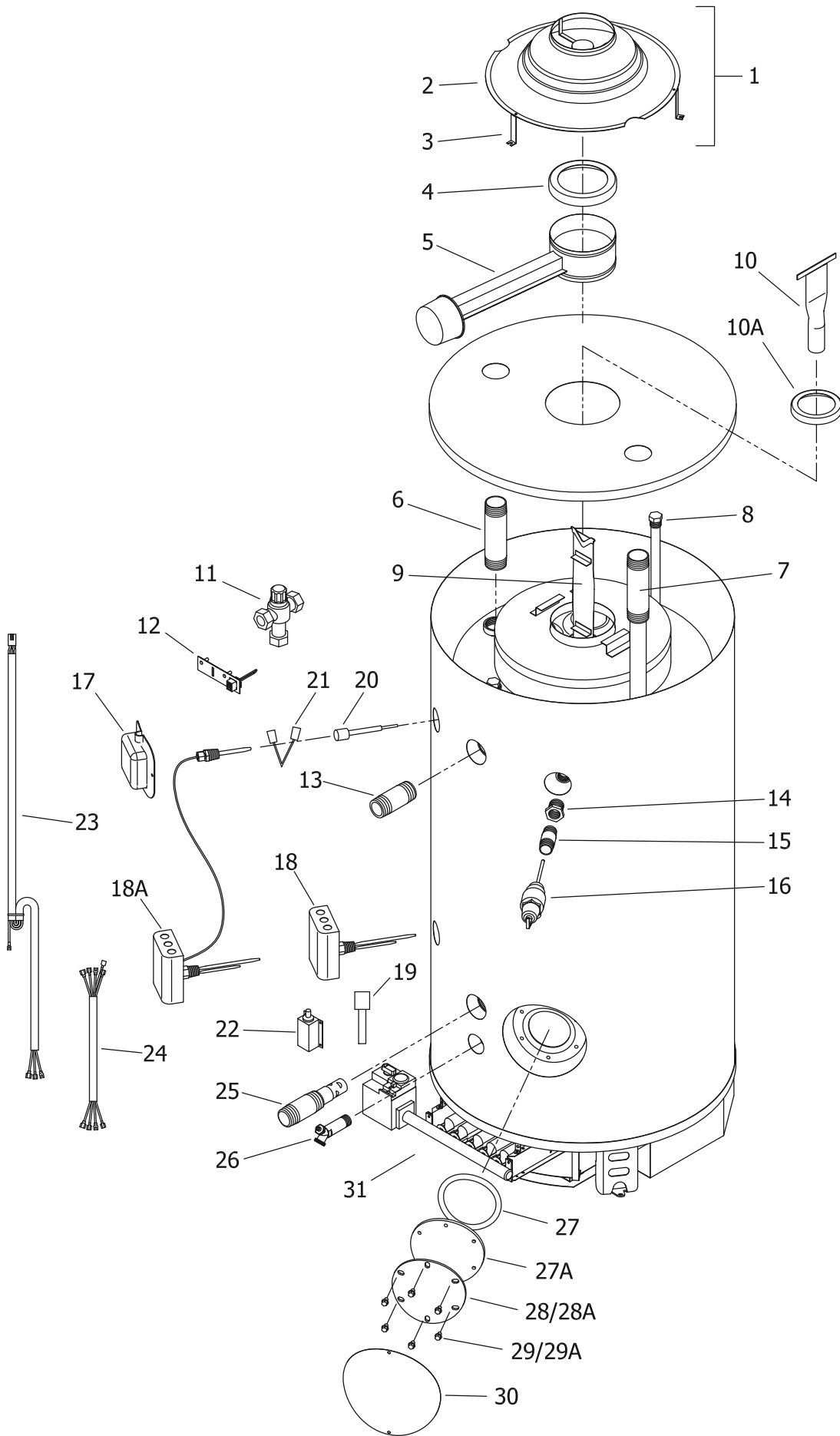
† Required when replacing Thermostats (Item 18 & 18A) on models prior to HF15207493.

▲ Applies when "E" is present in model number (Example: D38T155E3N).

▲▲ For models with serial number beginning with AG and prior.

▲▲▲ For models with serial numbers beginning with AH or later.

#A420 Anode may need to be cut to length



Item	Description	Model	Model	Model	Model	Model
		DM80T250(E)*(N,X)(A)	DM100L199(E)*(N,X)	DM100L250(E)*(N,X)(A)	DM100L270(E)*N(A)	DM100S199(E)*(N,X)
1	Draft Diverter Complete with Leg Kit	265-46544-00	265-46549-00	265-46549-00	265-46549-00	265-46548-00
2	Draft Diverter Only	239-81986-00-01	239-81733-00-01	239-81733-00-01	239-81733-00-01	239-81733-00-01
3	Draft Diverter Leg Kit Only	243-43690-02	243-43690-01	243-43690-01	243-43690-01	243-43690-09
4	Flue Damper Reducer	---	239-81811-00	239-81811-00	239-81811-00	239-81811-00
5	Flue Damper Complete	239-42806-00	243-42824-00	243-42824-00	243-42824-00	243-42824-00
6	Hot Water Outlet Nipple (Top)	229-40913-01	229-40913-01	229-40913-01	229-40913-01	229-40913-01
7	Cold Water Inlet Diptube (Top)	229-46709-03	229-46709-01	229-46709-01	229-46709-01	229-46709-01
8	Plug Type Anode Rod (Magnesium)	224-47782-11 (Qty. 2)	224-47782-06 (Qty. 4)	224-47782-06 (Qty. 4)	224-47782-06 (Qty. 4)	224-47782-07 (Qty. 4)
	Plug Type Anode Rod (Aluminum)	224-47783-04 (Qty. 2)	224-47783-04 (Qty. 4)	224-47783-04 (Qty. 4)	224-47783-04 (Qty. 4)	224-47783-04 (Qty. 4)
	Plug Type Anode Rod (A420 Aluminum)#	224-49559-04 (Qty. 2)	224-49559-04 (Qty. 4)	224-49559-04 (Qty. 4)	224-49559-04 (Qty. 4)	224-49559-04 (Qty. 4)
9	Flue Baffle	243-82117-00 (Qty. 8)	243-81735-00 (Qty. 12)	243-39392-00 (Qty. 12)	243-81796-00 (Qty. 12)	243-81735-00 (Qty. 9)
10	Flue Core	---	---	---	---	---
10A	Flue Reducer	---	---	---	---	---
11	ASSE Approved Mixing Valve (Optional)	239-43740-02	239-43740-02	239-43740-02	239-43740-02	239-43740-02
12	Damper Service Plate with Kit	243-42805-00	243-42805-00	243-42805-00	243-42805-00	243-42805-00
13	Hot Water Outlet Nipple (Side)	229-40913-02	229-40913-02	229-40913-02	229-40913-02	229-40913-02
14	1" NPT to 3/4" NPT Reducer Bushing	---	239-02052-00	---	---	239-02052-00
15	3/4" NPT Nipple	---	229-32762-02	---	---	239-81075-00
	1" NPT Nipple	229-32762-19	---	239-80982-00	239-80982-00	---
16	T&P Valve	230-33630-04	230-30246-00	230-33630-04	230-33630-04	230-30246-00
17	Utility Cover	239-80281-03	239-80281-03	239-80281-03	239-80281-03	239-80281-03
18	Thermostat (Single Probe)	---	---	---	---	---
18A	Thermostat (Dual Probe)	265-47524-00	265-47524-00	265-47524-00	265-47524-00	265-47524-00
19	Harness-ECO Adapter †	239-47527-00	239-47527-00	239-47527-00	239-47527-00	239-47527-00
20	Thermal Immersion Well †	239-46558-02	239-46558-02	239-46558-02	239-46558-02	239-46558-02
21	Mounting Clamp †	239-47206-00	239-47206-00	239-47206-00	239-47206-00	239-47206-00
22	Piezo Igniter	239-41065-00	239-41065-00	239-41065-00	239-41065-00	239-41065-00
23	Harness-Flue Damper	239-42799-03	239-42799-01	239-42799-01	239-42799-01	239-42799-01
24	Harness-Gas Valve & Thermostat	239-47528-02	239-47528-01	239-47528-01	239-47528-01	239-47528-01
25	Cold Water Inlet Diptube (Side)	229-44731-00	229-44731-00	229-44731-00	229-44731-00	229-44731-00
26	Brass Drain Valve	265-42351-04	265-42351-02	265-42351-02	265-42351-02	265-42351-02
27	Cleanout O-Ring Gasket	205-18427-00	205-18427-00	205-18427-00	205-18427-00	205-18427-00
27A	Cleanout Gasket (ASME)	205-32942-00	---	205-32942-00	205-32942-00	---
28	Cleanout Cover	205-18428-00	205-18428-00	205-18428-00	205-18428-00	205-18428-00
28A	Cleanout Cover (ASME)	205-32941-00	---	205-32941-00	205-32941-00	---
29	Cleanout Cover Screw	239-82166-00	239-82166-00	239-82166-00	239-82166-00	239-82166-00
29A	Cleanout Cover Screw (ASME)	239-32970-00	---	239-32970-00	239-32970-00	---
30	Cleanout Access Cover	243-20299-00	243-20299-00	243-20299-00	243-20299-00	243-20299-00

* Applies to all warranties

** Ordering a complete burner rack may increase delivery time. Please order the specific component required for the quickest delivery. Does not include item 45.

*** No LP version model available.

† Required when replacing Thermostats (Item 18 & 1 models prior to HF15207493.

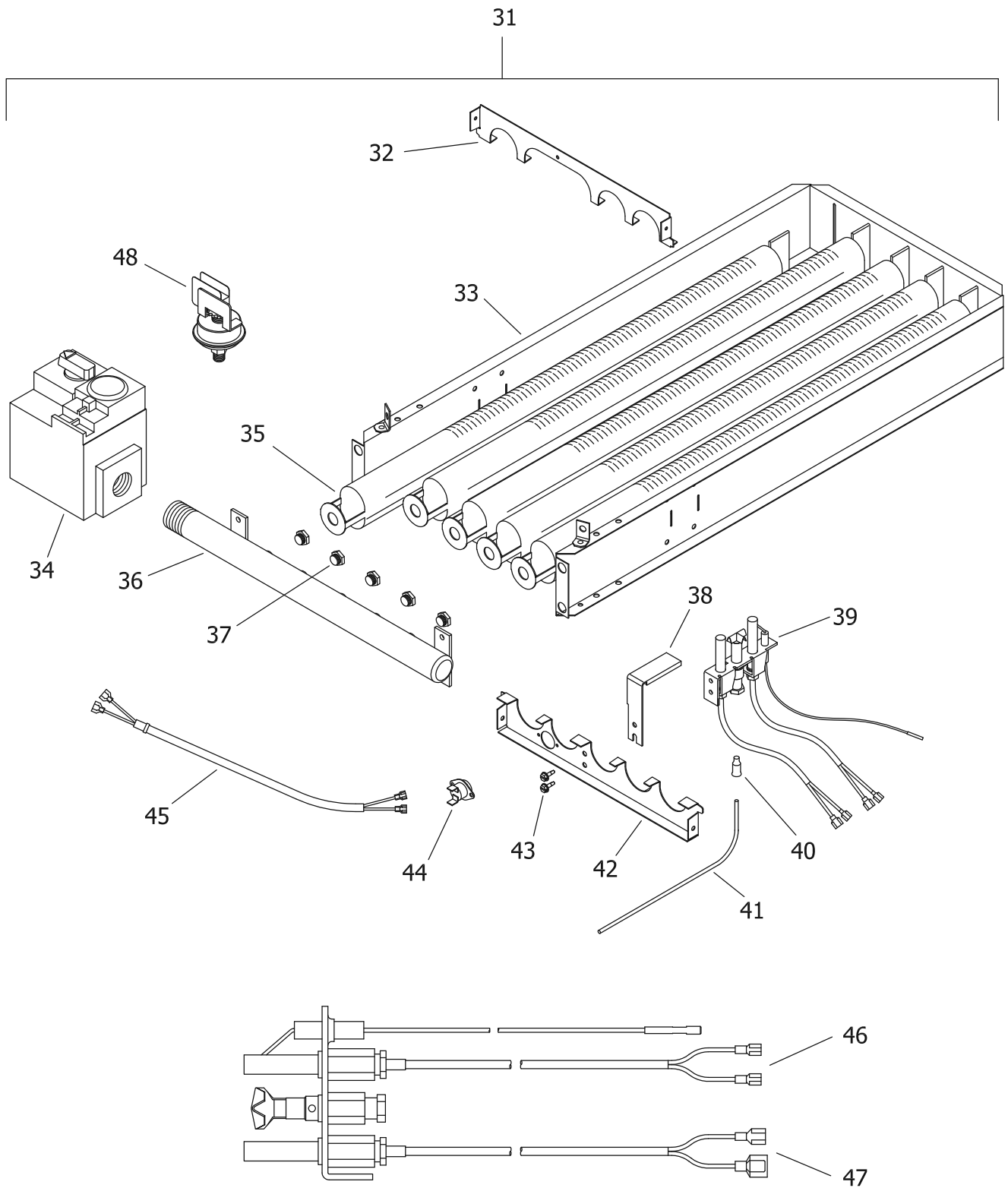
▲ Applies when "E" is present in model number (Example: D38T155E3N).

▲▲ For models with serial number beginning with AG and prior.

▲▲▲ For models with serial numbers beginning with AH or later.

#A420 Anode may need to be cut to length





THERMOPILE DETAIL

Item Description	Model	Model	Model	Model	Model
	DM80T250(E)*(N,X)(A)	DM100L199(E)*(N,X)	DM100L250(E)*(N,X)(A)	DM100L270(E)*N(A)	DM100S199(E)*(N,X)
31 Burner Rack Complete (Natural Gas) **	243-42815-01	243-42815-04	243-42815-01	243-42815-02	243-42814-03
Burner Rack Complete (Natural Gas) (Lo NOX) **▲	243-42938-01	243-42938-03	243-42938-01	243-42938-02	243-42937-02
Burner Rack Complete (LP Gas) **	243-42815-03	243-42815-05	243-42815-03	***	243-42814-04
32 Draft Panel	239-39420-00	239-39420-00	239-39420-00	239-39420-00	239-39419-00
33 Burner Rack Only	239-81969-02	239-81969-02	239-81969-02	239-81969-02	233-81969-01
34 Gas Valve (Natural Gas)	265-45510-01	265-45510-01	265-45510-01	265-45510-01	265-45510-01
Gas Valve (LP Gas)	265-45510-02	265-45510-02	265-45510-02	***	265-45510-02
35 Burner Tube (Standard)	228-39177-00 (Qty. 7)	228-39177-00 (Qty. 7)	228-39177-00 (Qty. 7)	228-39177-00 (Qty. 7)	228-39177-00 (Qty. 5)
Burner Tube (Lo-NOX) ▲	228-42490-00 (Qty. 7)	228-42490-00 (Qty. 7)	228-42490-00 (Qty. 7)	228-42490-00 (Qty. 7)	228-42490-00 (Qty. 5)
Burner Tube (Stainless Steel)	228-81964-00 (Qty. 7)	228-81964-00 (Qty. 7)	228-81964-00 (Qty. 7)	228-81964-00 (Qty. 7)	228-81964-00 (Qty. 5)
36 Burner Manifold	233-81725-00	233-81725-00	233-81725-00	233-81725-00	233-39170-00
37 Main Burner Orifice (Natural Gas) (0ft to 2000ft)	234-06016-37 (Qty. 7)	234-06016-42 (Qty. 7)	234-06016-37 (Qty. 7)	234-06016-36 (Qty. 7)	234-06016-35 (Qty. 5)
High Altitude (Natural Gas) (2001ft to 5000ft)	234-06016-40 (Qty. 7)	234-06016-43 (Qty. 7)	234-06016-40 (Qty. 7)	234-06016-38 (Qty. 7)	234-06016-37 (Qty. 5)
High Altitude (Natural Gas) (5001ft to 8000ft)	234-06016-42 (Qty. 7)	234-06016-45 (Qty. 7)	234-06016-42 (Qty. 7)	234-06016-73 (Qty. 7)	234-06016-39 (Qty. 5)
High Altitude (Natural Gas) (8001ft & above)	234-06016-42 (Qty. 7)	234-06016-45 (Qty. 7)	234-06016-42 (Qty. 7)	234-06016-73 (Qty. 7)	234-06016-40 (Qty. 5)
Main Burner Orifice (LP Gas) (0ft to 2000ft)	234-06016-50 (Qty. 7)	234-06016-1/16 (Qty. 7)	234-06016-50 (Qty. 7)	***	234-06016-49 (Qty. 5)
High Altitude (LP Gas) (2001ft to 5000ft)	234-06016-52 (Qty. 7)	234-06016-53 (Qty. 7)	234-06016-52 (Qty. 7)	***	234-06016-50 (Qty. 5)
High Altitude (LP Gas) (5001ft to 8000ft)	234-06016-1/16 (Qty. 7)	234-06016-54 (Qty. 7)	234-06016-1/16 (Qty. 7)	***	234-06016-51 (Qty. 5)
High Altitude (LP Gas) (8001ft & above)	234-06016-53 (Qty. 7)	234-06016-54 (Qty. 7)	234-06016-53 (Qty. 7)	***	234-06016-52 (Qty. 5)
38 Pilot Shield	239-41333-00	239-41333-00	239-41333-00	239-41333-00	239-41333-00
39 Pilot Assembly (Natural Gas)	265-46289-01	265-46289-01	265-46289-01	265-46289-01	265-46289-01
Pilot Assembly (LP Gas)	265-46289-02	265-46289-02	265-46289-02	***	265-46289-02
40 Pilot Orifice (Natural Gas)	233-46653-01	233-46653-01	233-46653-01	233-46653-01	233-46653-01
Pilot Orifice (LP Gas)	233-46653-02	233-46653-02	233-46653-02	***	233-46653-02
41 Aluminum Pilot Tube	233-80361-10	233-80361-10	233-80361-10	233-80361-10	233-80361-10
42 Burner Support	239-45181-00	239-45181-00	239-45181-00	239-45181-00	239-45180-00
43 Pilot Mounting Screw	239-11706-00 (Qty. 2)	239-11706-00 (Qty. 2)	239-11706-00 (Qty. 2)	239-11706-00 (Qty. 2)	239-11706-00 (Qty. 2)
44 Auto-Reset Thermal Switch ▲▲▲	239-45166-00	239-45166-00	239-45166-00	239-45166-00	239-45166-00
45 Harness-Thermal Switch ▲▲▲	239-45188-00	239-45188-00	239-45188-00	239-45188-00	239-45188-00
46 Thermopile-Gas Valve	233-46670-00	233-46670-00	233-46670-00	233-46670-00	233-46670-00
47 Thermopile-Damper	233-46700-00	233-46700-00	233-46700-00	233-46700-00	233-46700-00
48 Pressure Switch ▲▲	239-42797-00	239-42797-00	239-42797-00	239-42797-00	239-42797-00
- LP to Natural Gas Conversion Kit	265-46032-06	265-46032-07	265-46032-06	---	265-46032-05

* Applies to all warranties

** Ordering a complete burner rack may increase delivery time. Please order the specific component required for the quickest delivery. Does not include item 45.

*** No LP version model available.

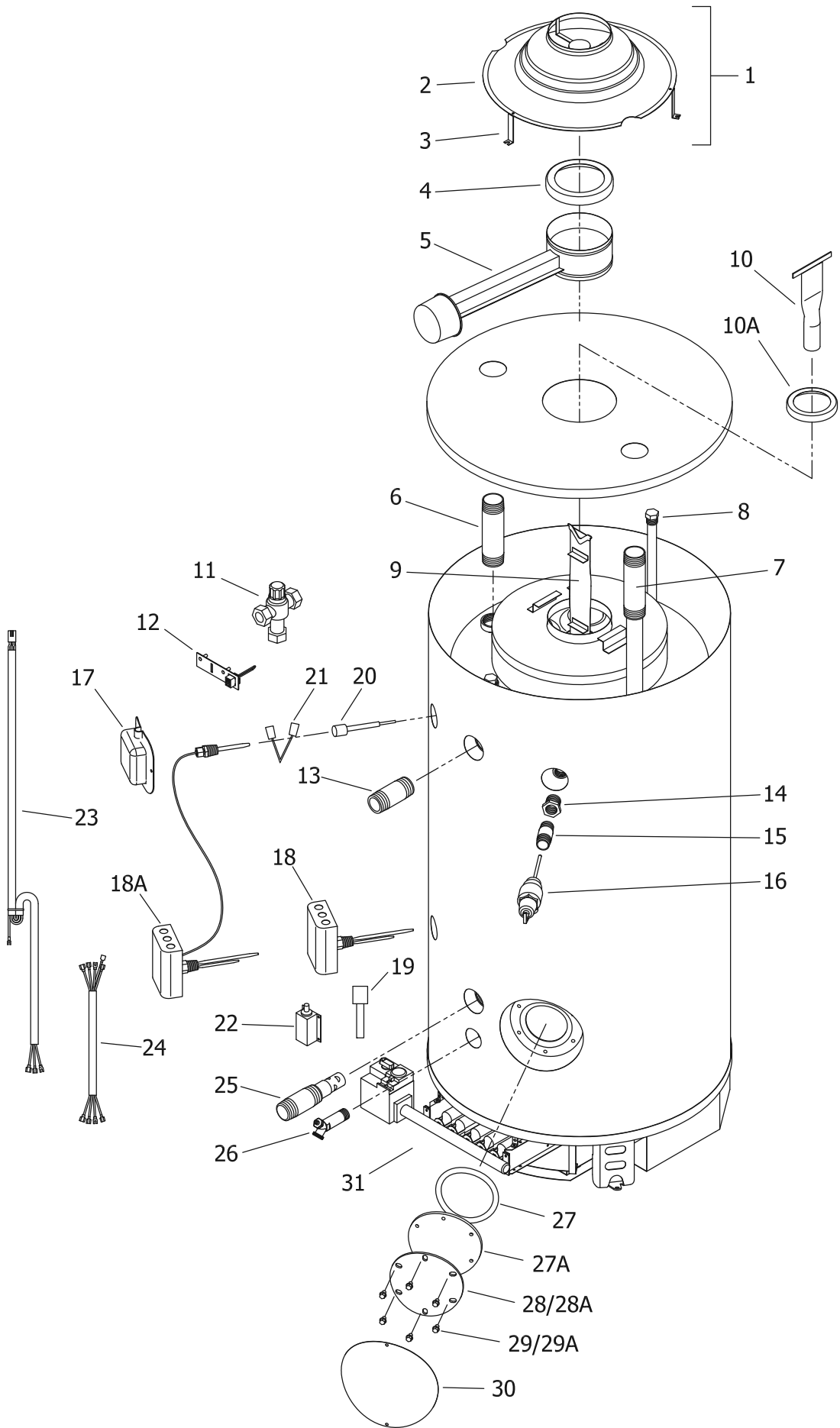
† Required when replacing Thermostats (Item 18 & 1 models prior to HF15207493.

▲ Applies when "E" is present in model number (Example: D38T155E3N).

▲▲ For models with serial number beginning with AG and prior.

▲▲▲ For models with serial numbers beginning with AH or later.

#A420 Anode may need to be cut to length



Item	Description	Model	Model	Model
		DM100S250(E)*(N,X)(A)	DM100T199(E)*(N,X)	DM100T250(E)*(N,X)(A)
1	Draft Diverter Complete with Leg Kit	265-46548-00	265-46544-00	265-46544-00
2	Draft Diverter Only	239-81733-00-01	239-81986-00-01	239-81986-00-01
3	Draft Diverter Leg Kit Only	243-43690-09	243-43690-02	243-43690-02
4	Flue Damper Reducer	239-81811-00	---	---
5	Flue Damper Complete	243-42824-00	239-42806-00	239-42806-00
6	Hot Water Outlet Nipple (Top)	229-40913-01	229-40913-01	229-40913-01
7	Cold Water Inlet Diptube (Top)	229-46709-01	229-46709-02	229-46709-02
8	Plug Type Anode Rod (Magnesium)	224-47782-07 (Qty. 4)	224-47782-12 (Qty. 2)	224-47782-12 (Qty. 2)
	Plug Type Anode Rod (Aluminum)	224-47783-04 (Qty. 4)	224-47783-06 (Qty. 2)	224-47783-06 (Qty. 2)
	Plug Type Anode Rod (A420 Aluminum)#	224-49559-04 (Qty. 4)	224-49559-04 (Qty. 2)	224-49559-04 (Qty. 2)
9	Flue Baffle	243-50065-03 (Qty. 9)	243-39392-00 (Qty. 8)	243-39341-00 (Qty. 8)
10	Flue Core	---	---	---
10A	Flue Reducer	---	---	---
11	ASSE Approved Mixing Valve (Optional)	239-43740-02	239-43740-02	239-43740-02
12	Damper Service Plate with Kit	243-42805-00	243-42805-00	243-42805-00
13	Hot Water Outlet Nipple (Side)	229-40913-02	229-40913-02	229-40913-02
14	1" NPT to 3/4" NPT Reducer Bushing	---	239-02052-00	---
15	3/4" NPT Nipple	---	229-32762-04	---
	1" NPT Nipple	239-80982-00	---	229-32762-19
16	T&P Valve	230-33630-04	230-30246-00	230-33630-04
17	Utility Cover	239-80281-03	239-80281-03	239-80281-03
18	Thermostat (Single Probe)	---	---	---
18A	Thermostat (Dual Probe)	265-47524-00	265-47524-00	265-47524-00
19	Harness-ECO Adapter †	239-47527-00	239-47527-00	239-47527-00
20	Thermal Immersion Well †	239-46558-02	239-46558-02	239-46558-02
21	Mounting Clamp †	239-47206-00	239-47206-00	239-47206-00
22	Piezo Igniter	239-41065-00	239-41065-00	239-41065-00
23	Harness-Flue Damper	239-42799-01	239-42799-03	239-42799-03
24	Harness-Gas Valve & Thermostat	239-47528-01	239-47528-02	239-47528-02
25	Cold Water Inlet Diptube (Side)	229-44731-00	229-44731-00	229-44731-00
26	Brass Drain Valve	265-42351-02	265-42351-04	265-42351-04
27	Cleanout O-Ring Gasket	205-18427-00	205-18427-00	205-18427-00
27A	Cleanout Gasket (ASME)	205-32942-00	---	205-32942-00
28	Cleanout Cover	205-18428-00	205-18428-00	205-18428-00
28A	Cleanout Cover (ASME)	205-32941-00	---	205-32941-00
29	Cleanout Cover Screw	239-82166-00	239-82166-00	239-82166-00
29A	Cleanout Cover Screw (ASME)	239-32970-00	---	239-32970-00
30	Cleanout Access Cover	243-20299-00	243-20299-00	243-20299-00

* Applies to all warranties

** Ordering a complete burner rack may increase delivery time. Please order the specific component required for the quickest delivery. Does not include item 45.

*** No LP version model available.

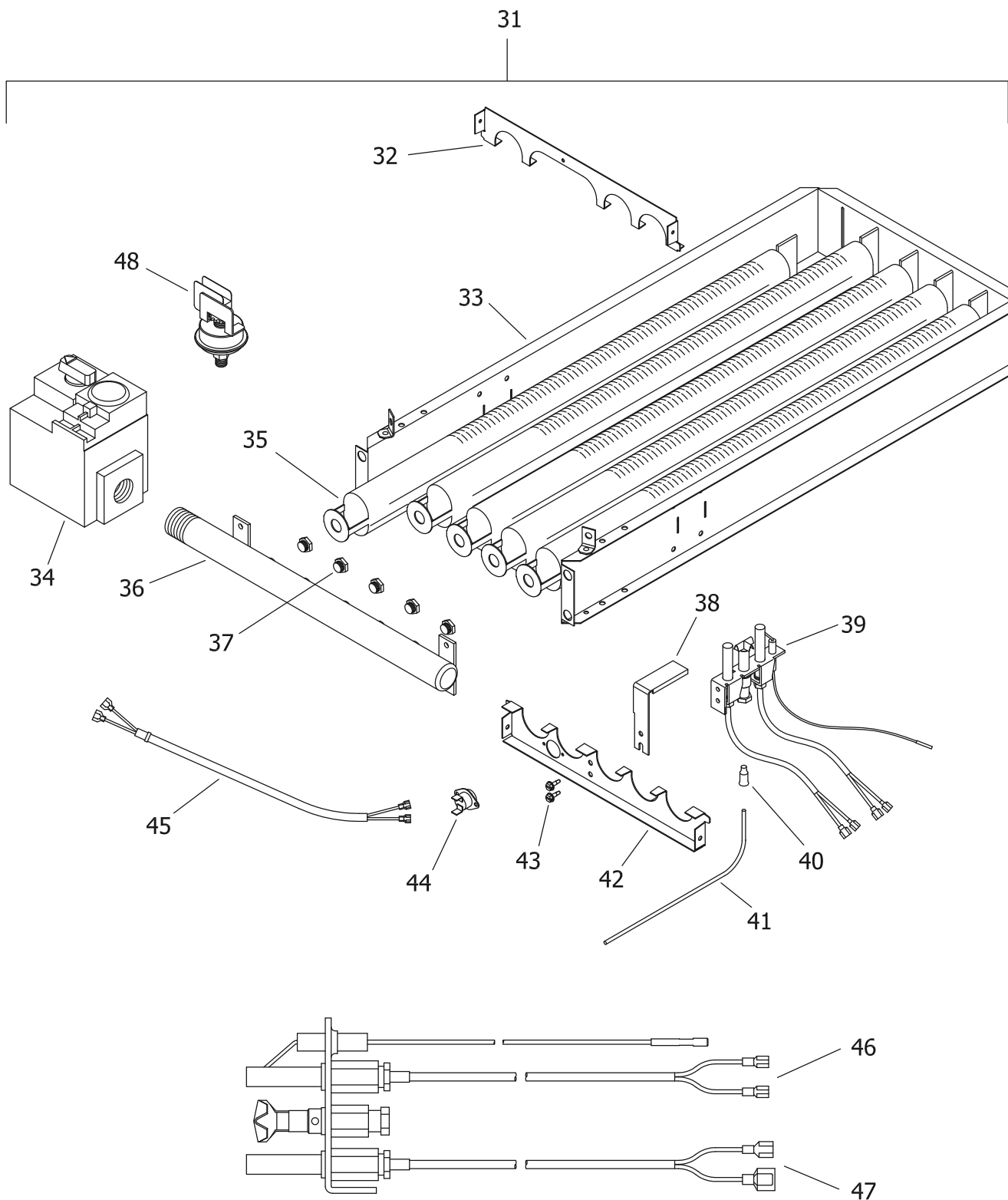
† Required when replacing Thermostats (Item 18 & 1 models prior to HF15207493.

▲ Applies when "E" is present in model number (Example: D38T155E3N).

▲▲ For models with serial number beginning with AG and prior.

▲▲▲ For models with serial numbers beginning with AH or later.

#A420 Anode may need to be cut to length



THERMOPILE DETAIL

Item Description	Model	Model	Model
	DM100S250(E)*(N,X)(A)	DM100T199(E)*(N,X)	DM100T250(E)*(N,X)(A)
31 Burner Rack Complete (Natural Gas) **	243-42814-07	243-42814-03	243-42814-07
Burner Rack Complete (Natural Gas) (Lo NOX) ** ▲	243-42937-04	243-42937-02	243-42937-04
Burner Rack Complete (LP Gas) **	243-42814-08	243-42814-04	243-42814-08
32 Draft Panel	239-39419-00	239-39419-00	239-39419-00
33 Burner Rack Only	233-81969-01	233-81969-01	233-81969-01
34 Gas Valve (Natural Gas)	265-45510-01	265-45510-01	265-45510-01
Gas Valve (LP Gas)	265-45510-02	265-45510-02	265-45510-02
35 Burner Tube (Standard)	228-39177-00 (Qty. 5)	228-39177-00 (Qty. 5)	228-39177-00 (Qty. 5)
Burner Tube (Lo-NOX) ▲	228-42490-00 (Qty. 5)	228-42490-00 (Qty. 5)	228-42490-00 (Qty. 5)
Burner Tube (Stainless Steel)	228-81964-00 (Qty. 5)	228-81964-00 (Qty. 5)	228-81964-00 (Qty. 5)
36 Burner Manifold	233-39170-00	233-39170-00	233-39170-00
37 Main Burner Orifice (Natural Gas) (0ft to 2000ft)	234-06016-31 (Qty. 5)	234-06016-35 (Qty. 5)	234-06016-31 (Qty. 5)
High Altitude (Natural Gas) (2001ft to 5000ft)	234-06016-32 (Qty. 5)	234-06016-37 (Qty. 5)	234-06016-32 (Qty. 5)
High Altitude (Natural Gas) (5001ft to 8000ft)	234-06016-34 (Qty. 5)	234-06016-39 (Qty. 5)	234-06016-34 (Qty. 5)
High Altitude (Natural Gas) (8001ft & above)	234-06016-35 (Qty. 5)	234-06016-40 (Qty. 5)	234-06016-35 (Qty. 5)
Main Burner Orifice (LP Gas) (0ft to 2000ft)	234-06016-46 (Qty. 5)	234-06016-49 (Qty. 5)	234-06016-46 (Qty. 5)
High Altitude (LP Gas) (2001ft to 5000ft)	234-06016-48 (Qty. 5)	234-06016-50 (Qty. 5)	234-06016-48 (Qty. 5)
High Altitude (LP Gas) (5001ft to 8000ft)	234-06016-49 (Qty. 5)	234-06016-51 (Qty. 5)	234-06016-49 (Qty. 5)
High Altitude (LP Gas) (8001ft & above)	234-06016-50 (Qty. 5)	234-06016-52 (Qty. 5)	234-06016-50 (Qty. 5)
38 Pilot Shield	239-41333-00	239-41333-00	239-41333-00
39 Pilot Assembly (Natural Gas)	265-46289-01	265-46289-01	265-46289-01
Pilot Assembly (LP Gas)	265-46289-02	265-46289-02	265-46289-02
40 Pilot Orifice (Natural Gas)	233-46653-01	233-46653-01	233-46653-01
Pilot Orifice (LP Gas)	233-46653-02	233-46653-02	233-46653-02
41 Aluminum Pilot Tube	233-80361-10	233-80361-10	233-80361-10
42 Burner Support	239-45180-00	239-45180-00	239-45180-00
43 Pilot Mounting Screw	239-11706-00 (Qty. 2)	239-11706-00 (Qty. 2)	239-11706-00 (Qty. 2)
44 Auto-Reset Thermal Switch ▲ ▲ ▲	239-45166-00	239-45166-00	239-45166-00
45 Harness-Thermal Switch ▲ ▲ ▲	239-45188-00	239-45188-00	239-45188-00
46 Thermopile-Gas Valve	233-46670-00	233-46670-00	233-46670-00
47 Thermopile-Damper	233-46700-00	233-46700-00	233-46700-00
48 Pressure Switch ▲ ▲	239-42797-00	239-42797-00	239-42797-00
- LP to Natural Gas Conversion Kit	265-46032-08	265-46032-05	265-46032-08

* Applies to all warranties

** Ordering a complete burner rack may increase delivery time. Please order the specific component required for the quickest delivery. Does not include item 45.

*** No LP version model available.

† Required when replacing Thermostats (Item 18 & 1 models prior to HF15207493.

▲ Applies when "E" is present in model number (Example: D38T155E3N).

▲ ▲ For models with serial number beginning with AG and prior.

▲ ▲ ▲ For models with serial numbers beginning with AH or later.

#A420 Anode may need to be cut to length



BRADFORD WHITE[®]

W A T E R H E A T E R S

Ambler, PA

For U.S. and Canada field service,
contact your professional installer or
local Bradford White sales representative.

Sales/800-523-2931
Fax/215-641-1670
Parts Fax/215-641-2180

Technical Support/800-334-3393
Fax/269-795-1089

Warranty/800-531-2111
Fax/269-795-1089

International:
Telephone/215-641-9400
Telefax/215-641-9750



BRADFORD WHITE-CANADA[®] INC.

Mississauga, ON

Sales/866-690-0961
905-238-0100

Fax/905-238-0105

Technical Support/800-334-3393

Email

parts@bradfordwhite.com
techserv@bradfordwhite.com

www.bradfordwhite.com