



ELECTRIC REPLACEMENT PARTS LIST

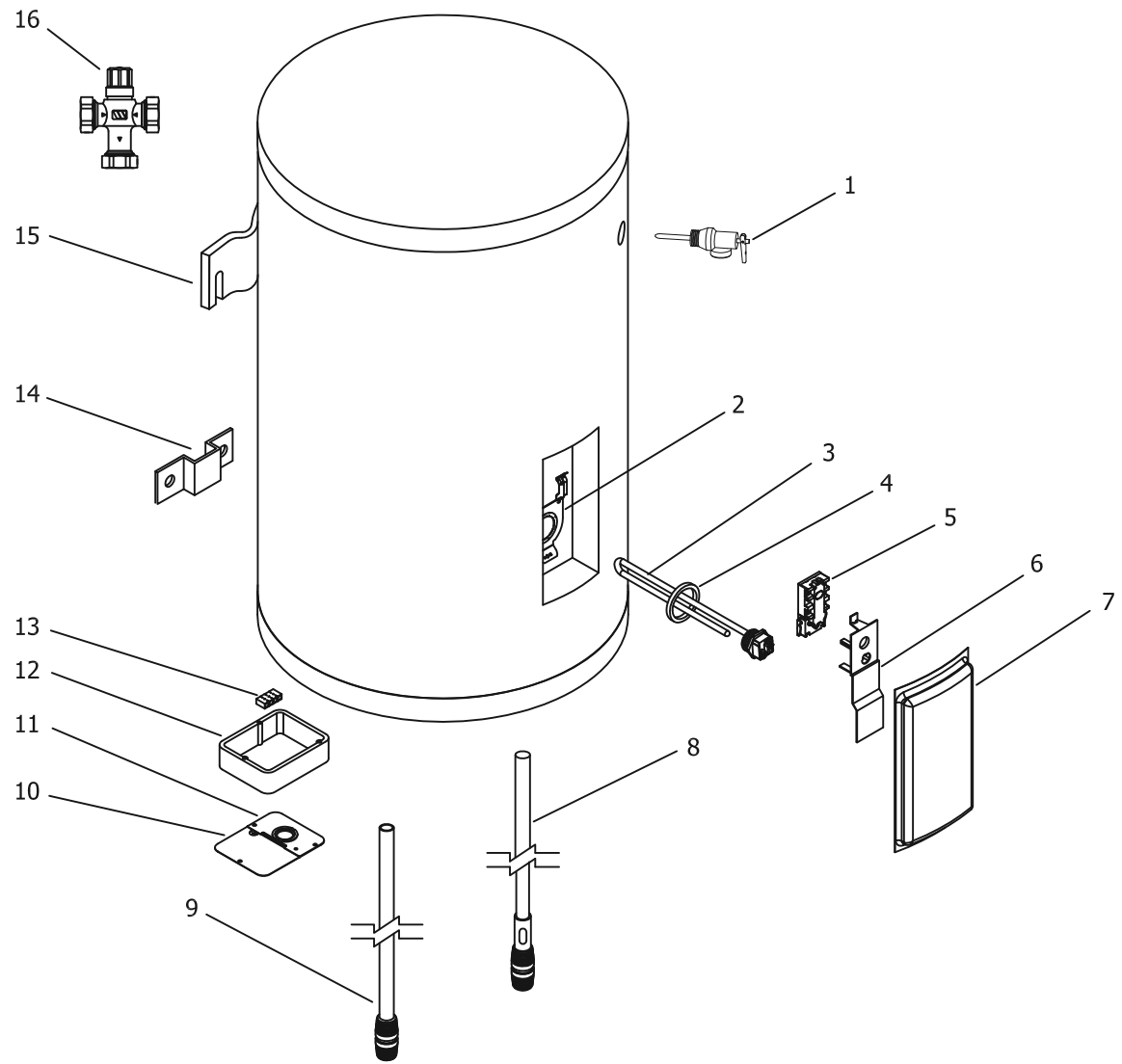
Residential Energy Saver (M1,2) Wall Hung Models
Commercial Energy Saver (LD) Wall Hung Models



***Effective: March 2012
ECO 7496***

**NOTE: BOTH MODEL AND SERIAL
NUMBERS ARE REQUIRED FOR
ORDERING REPLACEMENT PARTS**

Dimensions and specifications
subject to change without notice.

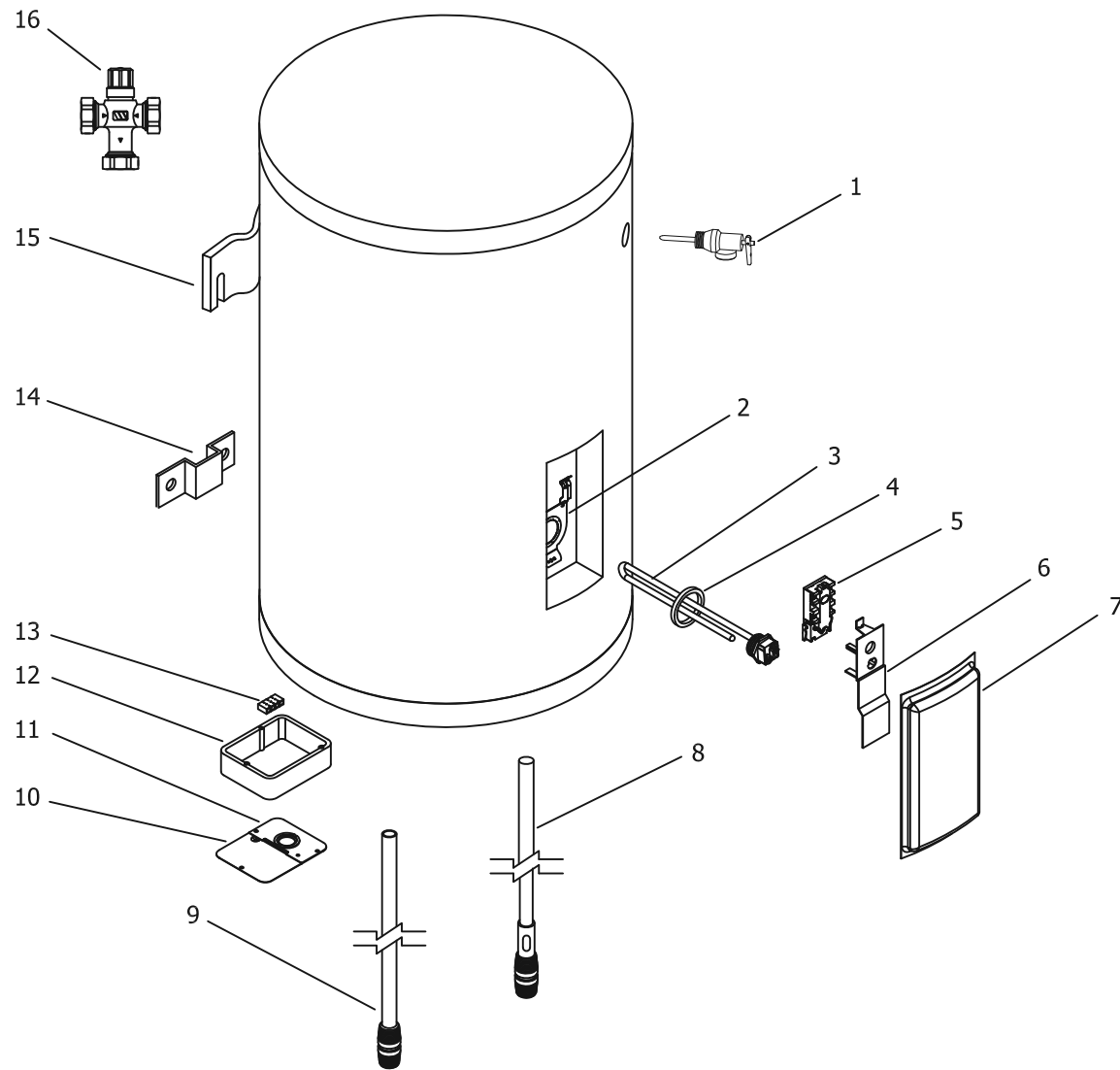


Item	Description	Model M1WH6U*SS	Model M1WH12U*SS	Model M1WH20L*SS	Model M2WH30L*SS
1	T & P Relief Valve	265-32920-01	265-32920-01	265-32920-01	230-40594-02
2	Thermostat Bracket	239-44479-00	239-44479-00	239-44479-00	239-44479-00
3	Heating Element 1500W, 120V Copper**	265-42540-02	265-42540-02	265-42540-02	265-42540-02
4	Element Gasket	223-34019-00	223-34019-00	223-34019-00	223-34019-00
5	Thermostat	219-40360-00	219-40360-00	219-40360-00	219-40360-00
6	Thermostat Cover	223-40399-00	223-40399-00	223-40399-00	223-40399-00
7	Access Cover	243-36618-02	243-36618-02	243-36618-02	243-36618-02
8	Cold Water Inlet Anode Without Heat Trap (Magnesium)	224-47776-01	224-47776-01	224-47776-02	224-47776-03
	Cold Water Inlet Anode Without Heat Trap (Aluminum)	224-32999-18	224-32999-18	224-32999-23	224-32999-23
	Cold Water Inlet Anode Without Heat Trap (A420)#	224-49560-08	224-49560-08	224-49560-08	224-49560-08
9	Hot Water Outlet Tube Without Heat Trap (PPTA)	229-32730-65	229-32730-65	229-32730-66	229-32730-20
	Hot Water Outlet Tube Without Heat Trap (PSTA) (NC Code)	229-34189-44	229-34189-44	229-34189-45	229-34189-12
10	Cover Electric Outlet	243-39452-00	243-39452-00	243-39452-00	243-39452-00
11	Conduit Electric Outlet	243-39451-00	243-39451-00	243-39451-00	243-39451-00
12	Junction Box Extender	---	---	---	---
13	Terminal Block - 4 Pole	---	---	---	---
14	Bumper-Wall Mount	243-40079-00	243-40079-00	243-40079-00	243-40079-00
15	Wall Mounting Bracket-Outer	239-40066-00	239-40066-00	239-40066-00	239-40066-00
16	ASSE Approved Mixing Valve	239-43740-01	239-43740-01	239-43740-01	239-43740-01

* Applies to all warranties

**For incoloy elements or other wattages/voltages, consult Residential Heating Element Replacement Parts List.

#A420 Anode may need to be cut to length



Item	Description	Model LDWH6U*	Model LDWH12U*	Model LDWH20L*	Model LDWH30L*
1	T & P Relief Valve	230-40594-01	230-40594-01	230-40594-01	230-40594-02
2	Thermostat Bracket	239-44479-00	239-44479-00	239-44479-00	239-44479-00
3	Heating Element 1500W, 120V Copper**	265-42540-02	265-42540-02	265-42540-02	265-42540-02
4	Element Gasket	223-34019-00	223-34019-00	223-34019-00	223-34019-00
5	Thermostat	265-40694-00	265-40694-00	265-40694-00	265-40694-00
6	Thermostat Cover	223-40399-00	223-40399-00	223-40399-00	223-40399-00
7	Access Cover	243-36618-02	243-36618-02	243-36618-02	243-36618-02
8	Cold Water Inlet Anode Without Heat Trap (Magnesium)	224-47776-01	224-47776-01	224-47776-02	224-47776-03
	Cold Water Inlet Anode Without Heat Trap (Aluminum)	224-32999-18	224-32999-18	224-32999-23	224-32999-23
	Cold Water Inlet Anode Without Heat Trap (A420)#	224-49560-08	224-49560-08	224-49560-08	224-49560-08
9	Hot Water Outlet Tube Without Heat Trap (PPTA)	229-32730-65	229-32730-65	229-32730-66	229-32730-20
	Hot Water Outlet Tube Without Heat Trap (PSTA) (NC Code)	229-34189-44	229-34189-44	229-34189-45	229-34189-12
10	Cover Electric Outlet	243-39452-00	243-39452-00	243-39452-00	243-39452-00
11	Conduit Electric Outlet	243-39451-00	243-39451-00	243-39451-00	243-39451-00
12	Junction Box Extender	239-40587-00	239-40587-00	239-40587-00	239-40587-00
13	Terminal Block - 4 Pole	239-47294-00	239-47294-00	239-47294-00	239-47294-00
14	Bumper-Wall Mount	243-40079-00	243-40079-00	243-40079-00	243-40079-00
15	Wall Mounting Bracket-Outer	239-40066-00	239-40066-00	239-40066-00	239-40066-00
16	ASSE Approved Mixing Valve	239-43740-01	239-43740-01	239-43740-01	239-43740-01

* Applies to all warranties

**For incoloy elements or other wattages/voltages, consult Residential Heating Element Replacement Parts List.

#A420 Anode may need to be cut to length



BRADFORD WHITE®

W A T E R H E A T E R S

Ambler, PA

For U.S. and Canada field service,
contact your professional installer or
local Bradford White sales representative.

Sales/800-523-2931
Fax/215-641-1670
Parts Fax/215-641-2180

Technical Support/800-334-3393
Fax/269-795-1089

Warranty/800-531-2111
Fax/269-795-1089

International:
Telephone/215-641-9400
Telefax/215-641-9750



BRADFORD WHITE-CANADA® INC.

Mississauga, ON

Sales/866-690-0961
905-238-0100

Fax/905-238-0105

Technical Support/800-334-3393

Email

parts@bradfordwhite.com
techserv@bradfordwhite.com

www.bradfordwhite.com