

3636CPAN – EVERYDAY SHOWER PANS

inches (mm)

36 x 36 x 6 (915 x 915 x 150) • Fax on Demand #2102



FEATURES

- Shower pan
- Slip-resistant, textured bottom
- Extended tiling flange (3T)
- Enhanced front profile
- Available in White only
- Patented design features:
 - corner drainage channels
 - step-design finishing guides
 - extended nailing flange
- Center drain
- Composite surface
- 10-year residential limited warranty

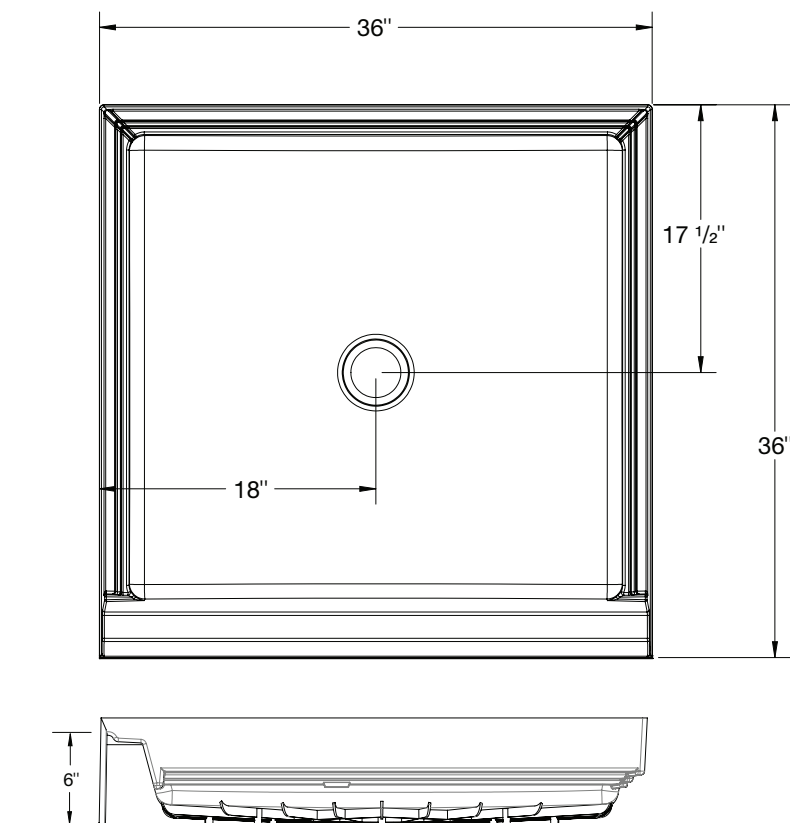
AQUATIC ADVANTAGE

- National distribution
- 6 manufacturing facilities
- Private fleet
- Centralized customer service
- Field support
- 24-hour fax-on-demand



3636CPAN

36 x 36 x 6 (915 x 915 x 150)
inches (mm)



FEATURES lbs (kg) Dimensional Tolerance $\pm \frac{3}{16}$ ". Dimensions needed for site preparation should be measured from the unit. Aquatic assumes no responsibility for preparatory work.

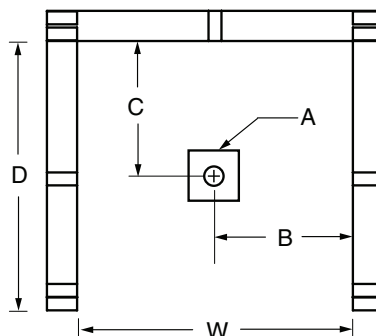
Model #	Material	Drain	Net Wt.	Pkg. Wt.
Shower Pan #3636CPAN	Composite	Center	34 (15)	39 (18)

DIMENSIONS

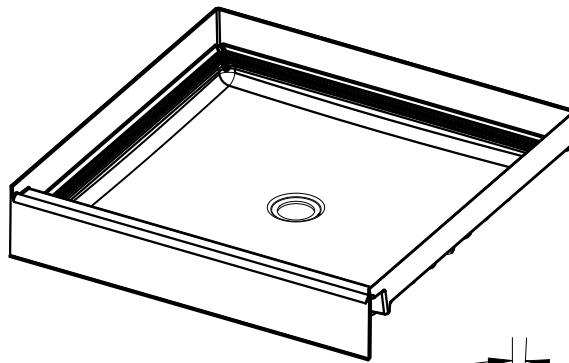
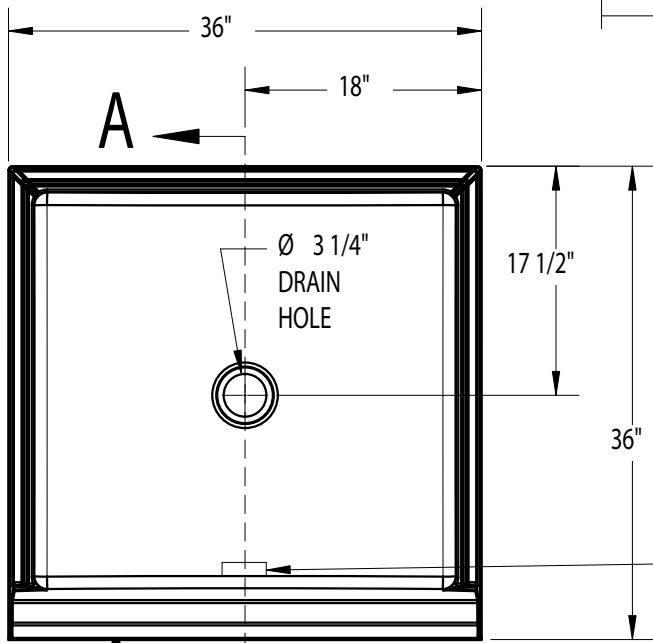
Specifications	inches (mm)
Width: Overall / Net	36 (915)
Depth: Overall / Net	36 (915)
Height: Overall / Net	7 (180) / 6 (150)
Enclosure Opening	-
Skirt Height	6 (150)
Drain Rough-In (from Back Wall)	17 1/2 (445)
Drain Rough-In (from Side Wall)	18 (455)
Drain: Diameter / Clearance	3 1/4 (85) / 3/8 (10)

FRAMING DIMENSIONS inches (mm)

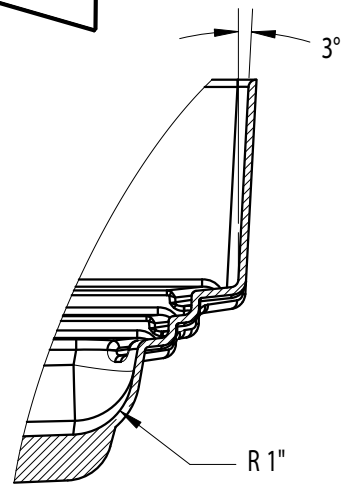
Type	D Depth	W Width	H Height	A	B	C
Alcove	36 (915)	36 (915)	-	Box Out	18 (455)	17 1/2 (445)



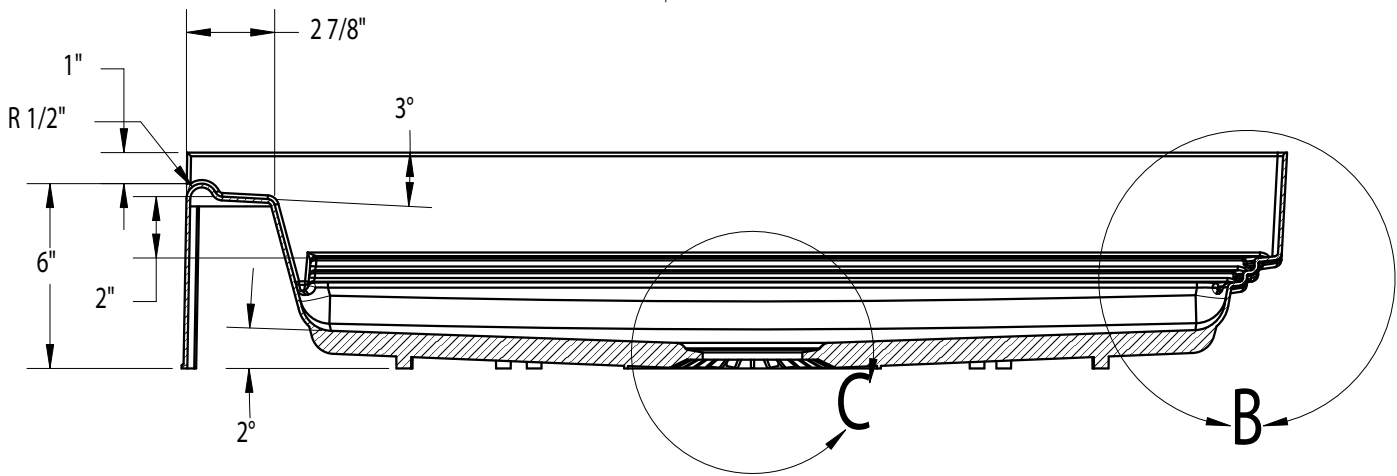
REVISIONS			
REV.	DESCRIPTION	DATE	APPROVED



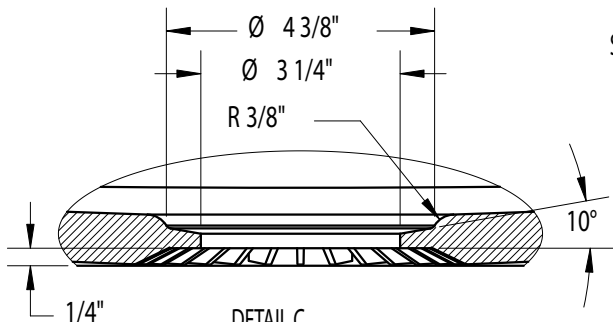
LASCO
BATHWARE
3636-CPAN



DETAIL B
SCALE 1:3



SECTION A-A
SCALE 1:6



DETAIL C
SCALE 1:3

DRAWN	NAME	DATE	8101 E. Kaiser BLVD. Anaheim, CA 92808
CHECKED	PPRIOR	7/5/2006	
ENG APPR.			
MFG APPR.			
Q.A.			
CATEGORY:			TITLE
			36" x 36" SHOWER PAN
SIZE	DWG. NO.	REV.	
A	3636-cpan-55-S	5	
SCALE 1:2			SHEET 1 OF 1