

ONLY ONE COMPANY MAKES 10" & 15" INJECTION MOLDED GASKETED SEWER FITTINGS



Multi Fittings is the only manufacturer to offer gasketed 12" and 15" SDR 35 molded sewer fittings in a range of wyes, tees and elbows.

Ideal for wastewater and stormwater applications, as well as the conveyance of industrial wastes, our large diameter molded sewer fittings are designed to exceed all applicable standards and are built to withstand higher impact forces, higher loads and survive the roughest jobsite handling. The impact strength of our sewer fittings exceed the requirements of ASTM F1336 by at least 25%.

For over 50 years, Multi Fittings has been an industry leader in offering the most comprehensively engineered and tested fittings for plastic pipe in North America.

Multi Fittings produces the widest range of injection molded fittings for pressurized watermains and sewer forcemains, gravity flow sewers and drain, waste and vent applications.

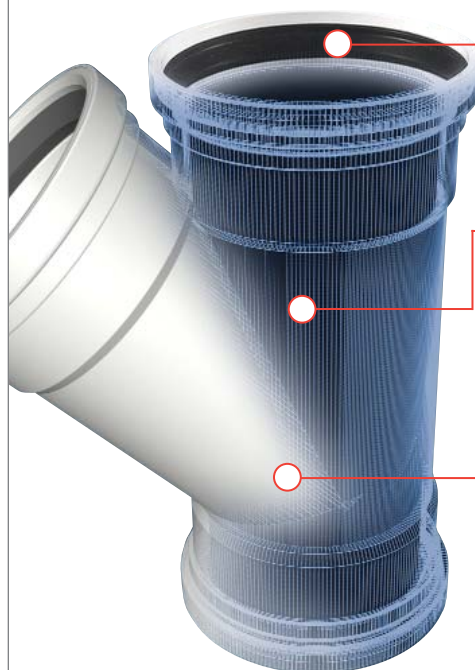
TRENCH TOUGH PLUS™

SIZES
4" & 15"



MULTI FITTINGS

Telephone: 519 681-2140
Toll Free: 800 265-1815
Fax: 519 681-2156



Locked-in Gasket Design

Makes assembling the joints easy, requiring less brute force in the trench, while ensuring leak-proof reliability in the ground.

Advanced Material Formulation

Leading crush-resistance, yet our fittings can flex to accommodate the extreme loads that cause rigid fittings to fail.

Structural Reinforcements

Reinforced at key intersecting locations where it's needed for added strength without losing flexibility.

more information on back ▶

FEATURES & BENEFITS

Easy to Install

Lightweight and easy to handle; with the patented Trench Tough Plus locked-in gasket design.

Joint Strength

Manufactured to allow for a high degree of joint deflection, reducing the risks caused by soil settlement or shifting.

Structural Strength

Leads the industry in crush-resistance and able to handle extreme loads underground.

Impact Strength

Designed to withstand the rigors of the job site, exceeding ASTM impact standards.



Telephone: 519 681-2140
Toll Free: 800 265-1815
Fax: 519 681-2156

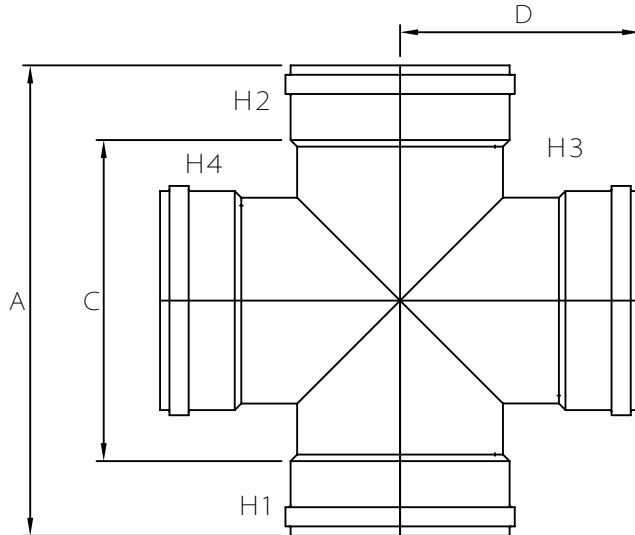


MULTI FITTINGS

LAYING LENGTH

ISSUE DATE: OCT 30/17
SUPERCEDES: MAR 11/05

CROSS TEE (GxGxGxG)



FABRICATED FITTING (F)

	SIZE H1xH2xH3xH4	PART NUMBER	D REF	C REF	A REF
F @	4x4x4x4	043570	6.500	6.500	13.000
F @	6x6x6x6	043572	-	-	-
F @	6X6X4X4	043571	-	-	-
F @	8X8X8X8	043575	-	-	-
F @	8X8X4X4	043573	8.000	22.000	30.000
F @	8X8X6X6	043574	-	-	-
F @	10x10x10x10	043018	-	-	-
F @	10x10x4x4	043576	-	-	-
F @	10x10x6x6	043577	-	-	-
F @	10x10x8x8	043578	11.000	20.250	30.000
F @	12x12x12x12	043789	-	-	-
F @	12x12x4x4	043038	-	-	-
F @	12x12x6x6	043579	-	-	-
F @	12x12x8x8	043163	-	-	-
F @	12x12x10x10	043189	-	-	-
++F @	15x15x15x15	043805	21.000	29.500	42.000
F @	18x18x8x8	043420	16.000	17.500	40.000
P	18x18x10x10	043231	-	-	-
P	18x18x15x15	043357	-	-	-
P	24x24x8x8	043401	-	-	-

Note: @ Refer to Page G5 for Hub Detail, Fabricated

++ FRP Reinforced