

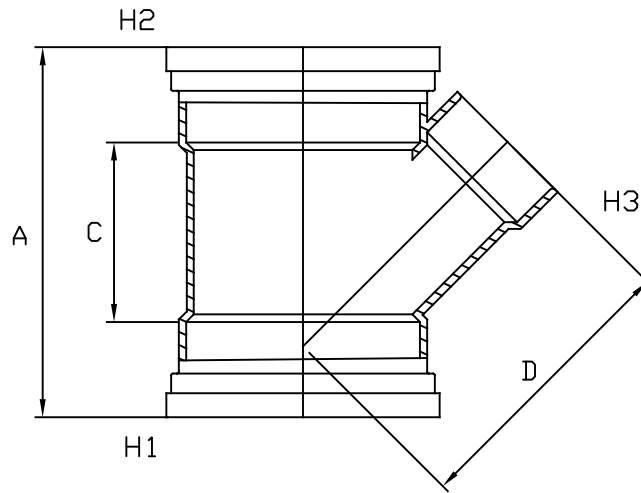


MULTI FITTINGS

# LAYING LENGTH

ISSUE DATE: OCT 30/17  
SUPERCEDES: MAR 11/05

## 45° WYE (GxGxDWV Hub)



INJECTION MOLDED FITTING (M)

	SIZE H1xH2xH3	PART NUMBER	A REF	C REF	D REF
M =	8x8x4	043788	13.250	6.375	10.250
F	8x8x6	043262	-	-	-
F	10x10x4	043011	-	-	-
F	10x10x6	143093	-	-	-

Note: = Refer to Page G4 for Gasket Hub Detail, Type A  
 = Refer to Page G4-2 for DWV Hub Detail